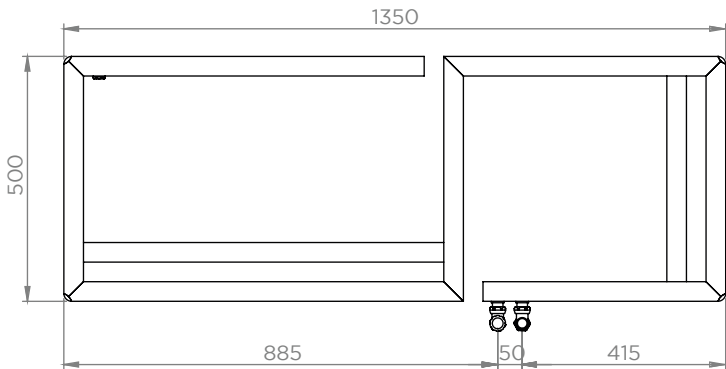
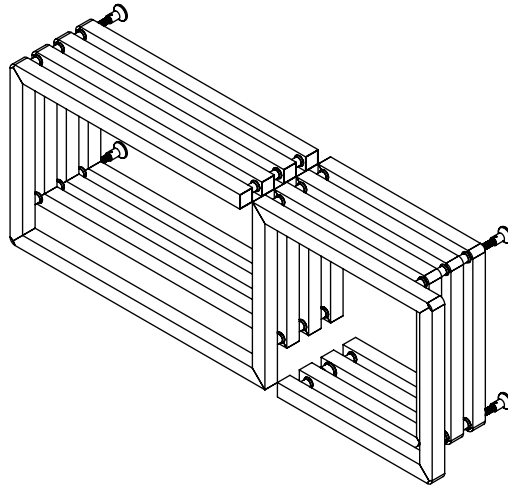


S-TYPE - STY130

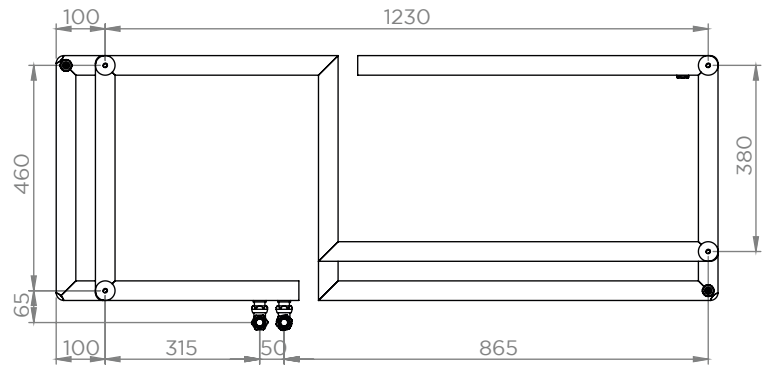
INS-VS2

ALL MEASUREMENTS ARE IN MILLIMETRES

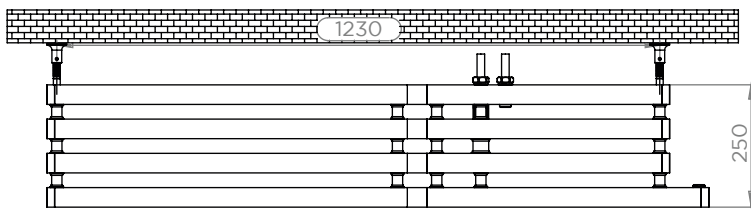
MANUFACTURED FROM STAINLESS STEEL



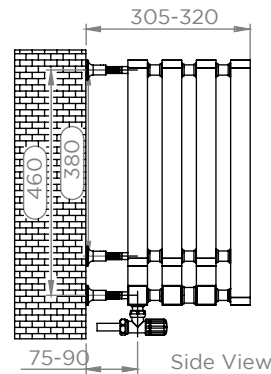
Front View



Back View

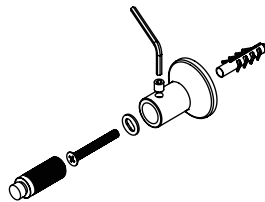
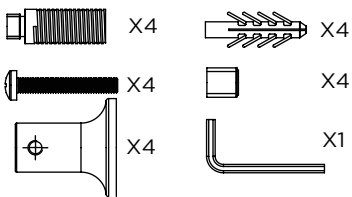


Top View

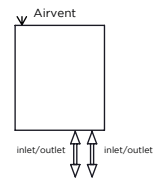


Side View

Installation Accessories:



Plumbing Position:



All Dimension are in mm
 Max. Working Pressure = 10 Bar
 Max. Working Temperature = 95° C
 Inlet / Outlet : 1/2" BSP

Technical specifications are subject to change without prior notice.



AEON is the designer heating division of Pitacs Limited.
 Pitacs Limited, Bradbourne Point, Bradbourne Drive, Tilbrook, Milton Keynes,
 Buckinghamshire, MK7 8AT, UK

T: +44 (0)1908 271155 E: info@pitacs.com W: www.aeon.uk.com