

AEON

THE
COLLECTION





THE COLLECTION

Fantasy meets function in this range of beautifully crafted and engineered radiators. Each design is a statement, a sculptural addition to contemporary interiors that also delivers outstanding performance.

INNOVATION

We are renowned for creating stylish, sleek & artistically stunning radiators and heating products, guaranteed to add a dash of flawless fashion to your space.

INSPIRATION

Our top-class team of designers have been inspired by a range of themes, from nature to architecture to art and beyond.

TECHNIQUE

Our products have been designed and developed using state-of-the-art production techniques, combining beauty with heating efficiency and durability.

WARRANTY

Our commitment to quality is backed by a 20-year warranty for the AEON Stainless Steel Collection & a 10-year warranty for the AEON Aluminium Collection.

SYMBOL GUIDE	9
BATHROOM COLLECTION	10
TOWER COLLECTION	96
SIGNATURE COLLECTION	108
ALUMINIUM COLLECTION	182
VALVES & ACCESSORIES	192
FULLY ELECTRIC READY HEATED TOWEL RAIL INFORMATION	199
COLOURS & FINISHES	200
BASIC HEAT LOSS CALCULATOR	202
QUALITY & PERFORMANCE	203
DELIVERY & RECEIPT OF GOODS	204
GLOSSARY	205
TERMS & CONDITIONS	206

BATHROOM

TOWEL RAILS

ARCANE
12



ATILLA
14



BOLERO
16



BOSPORUS
18



CALDER
20



CAPADOCIA
22



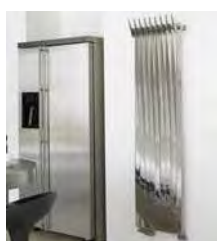
CAT LADDER
24



CENGIZ
26



CLIPPER
28



COFFER
30



COMBE
32



ECONOX
34



ELLIPS
36



F-BAR
38



T-BAR
39



FATIH
40



G-TYPE
42



GALLANT
44



GALLIPOLI
46



HELIO
48



HONEYCOMB
50



KAPTAN
52



KARNAK
54



LABREN
56



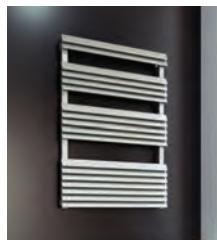
LINX
58



MAZE
60



PANACEA BATH
62



PETIT
64



SALUTA
66



SEREN
68



SERHAD
70



SERIF
72



SIESTA
74



STILE
76



S-TYPE
78



TEMPEST
80



TORA
82



TROGON
84



TUBO
86



TUDOR
88



VERA
90



WINDSOR
92



ZENITH
94



TOWER RADIATORS

ALIEN
98



ECSTASY
100



SPEIRA
102



STANZA
104



TRUVA
106

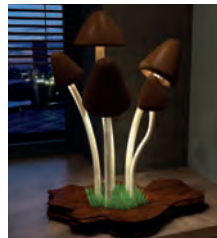


SIGNATURE COLLECTION

ABACUS
110



ACHERON
112



ARAT E
114



ARAT L
116



ARMADA
118



BAMBOO
120



DALYA
122



ELIXIR
124



GRANDEUR
126



IMZA
128



KARE
130



LOKUM
132



LUNAR
134



MADONNA
136



MARBELLA
138



MARION
140



MERIDIEN
142



MYSTIC L
143



MYSTIC E
144



OTTOMAN
146



PANACEA E
148



PANACEA MIRROR
150



PEGASUS
152



PODIUM
154



RENDE
156



SKUALL
158



SOFI
160



STRIA
162



SUMELA
164



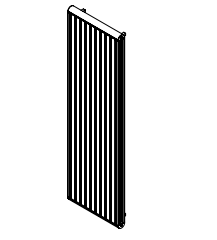
SUPRA DOUBLE
166



SUPRA SINGLE
168



SUPRA TRIPLE
169



TARDIS
170



TIRENDAZ
172



TWISTER
174



VENETIAN
176



WAVE
178



ZIGZAG
180



ALUMINIUM RADIATORS

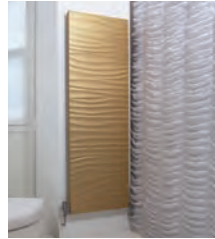
FLUENT
184



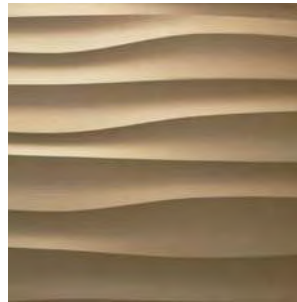
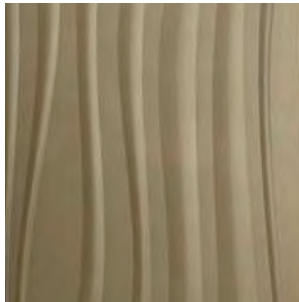
PLANET MOON
186







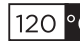
















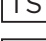



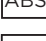
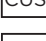
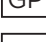
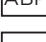
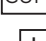





SESRIEM
188



STARGATE
190

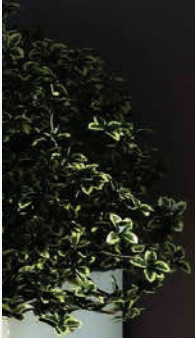


SYMBOL GUIDE

			Maximum Working Pressure (Bar)
			Maximum Working Temperature
			Open Heating System
			Closed Heating System
			Material: Stainless Steel
			Material: Mild Steel
			Material: Aluminium
			Mounting Position: Vertical
			Mounting Position: Horizontal
			Mounting Position: Free-standing
			Polished Finish
			Brushed Satin Matt Finish
			White
			Chrome
			Nickel
			Gold
			Black
			Anodised - Textured Grey
			Anodised - Textured Silver
			Anodised Gold
			Anodised - Textured Bronze
			Gold Brushed Matt Plated
			Antique Bronze Brushed Matt Plated
			Copper Brushed Matt Plated
			Gold Polished Plated
			Antique Bronze Polished Plated
			Copper Polished Plated
			Additional Finish Options Available
			Available in RAL Colours
			Warranty: 10 Years
			Warranty: 20 Years
			Warranty: 12 Months

BATHROOM

AEON



M

ATILLA	14	LINX	58
BOLERO	16	MAZE	60
BOSPORUS	18	PANACEA BATH	62
CAPADOCIA	22	PETIT	64
CAT LADDER	24	SALUTA	66
CENGIZ	26	SEREN	68
CLIPPER	28	SERHAD	70
COFFER	30	SERIF	72
COMBE	32	SIESTA	74
ELLIPS	36	S-TYPE	78
F-BAR	38	TEMPEST	80
T-BAR	39	TORA	82
FATIH	40	TROGON	84
G-TYPE	42	TUBO	86
GALLANT	44	TUDOR	88
GALLIPOLI	46	WINDSOR	92
HELIO	48	ZENITH	94
HONEYCOMB	50		
KAPTAN	52		
KARNAK	54		
LABREN	56		

20

YEARS WARRANTY

FULLY ELECTRIC READY
Options available

ARCANE	12	STILE	76
CALDER	20	VERA	90
ECONOX	34		

12

MONTHS WARRANTY



Arcane is available in a polished finish.

We recommend the 3 Bar Safety Valve for all ELECTRIC ONLY (E) products. Dual Fuel is possible either by use of 'T' piece and radiator valve or by use of ONE850 or ONE851 (4 way valve)

ARCANE FULLY ELECTRIC.

A 3 Bar Safety Valve (3BV) is provided with this product, which the customer should install once the towel rail is secured to the wall.

MODEL SHOWN: ARC105-P (Polished)

FULLY ELECTRIC READY

Options available

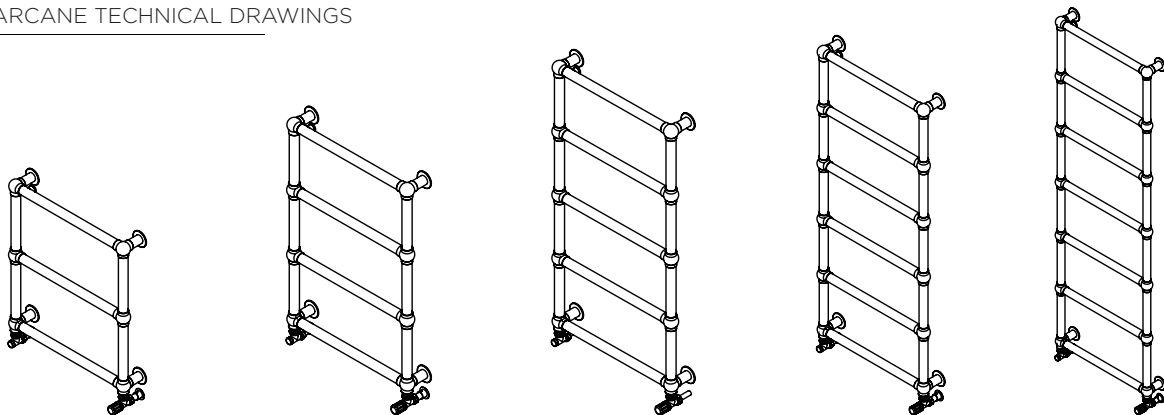
ARCANE

Encompassing both style and simplicity, Arcane brings industrial chic to the classic towel rail. Sleek horizontal bars emanate luxury and warmth, perfect for the modern bathroom.

SS MATERIAL
 P FINISH
 10 bar WORKING PRESSURE
 120°C WORKING TEMP.
 OC OPEN/CLOSED SYSTEM
 V MOUNTING POS.
 20 YEARS WARRANTY

PRODUCT NAME	DIMENSIONS			PIPE CENTRES	WALL TO PIPE CENTRE	WALL TO FACE	WATER CONTENT	GROSS WEIGHT	FUEL OPTIONS	PIPES OR SECTIONS	HEAT OUTPUT AT ΔT 50		FINISHES
	Height mm	Length mm	Depth mm								BTU	Watts	
ARC055	560	560	100	500	75	100	1.40	6.0	E/H/D	3	523	153	✓
ARC085	810	560	100	500	75	100	1.70	7.8	E/H/D	4	696	204	✓
ARC105	1060	560	100	500	75	100	2.20	9.5	E/H/D	5	869	255	✓
ARC125	1260	560	100	500	75	100	2.70	11.0	E/H/D	6	1026	300	✓
ARC155	1660	560	100	500	75	100	3.34	13.5	E/H/D	7	1248	366	✓
ARC056	560	660	100	600	75	100	1.40	6.0	E/H/D	3	572	167	✓
ARC086	810	660	100	600	75	100	1.70	7.8	E/H/D	4	761	223	✓
ARC106	1060	660	100	600	75	100	2.20	9.5	E/H/D	5	951	278	✓
ARC126	1260	660	100	600	75	100	2.70	11.0	E/H/D	6	1124	329	✓
ARC156	1660	660	100	600	75	100	3.34	13.5	E/H/D	7	1363	399	✓
ARC055E	560	560	100	500	75	100	n/a	9.0	Fully Elec	3	477	140	✓
ARC085E	810	560	100	500	75	100	n/a	10.8	Fully Elec	4	636	186	✓
ARC105E	1060	560	100	500	75	100	n/a	12.5	Fully Elec	5	794	232	✓
ARC125E	1260	560	100	500	75	100	n/a	14.0	Fully Elec	6	937	274	✓
ARC155E	1660	560	100	500	75	100	n/a	16.5	Fully Elec	7	1140	334	✓
ARC056E	560	660	100	600	75	100	n/a	9.0	Fully Elec	3	522	153	✓
ARC086E	810	660	100	600	75	100	n/a	10.8	Fully Elec	4	695	204	✓
ARC106E	1060	660	100	600	75	100	n/a	12.5	Fully Elec	5	868	254	✓
ARC126E	1260	660	100	600	75	100	n/a	14.0	Fully Elec	6	1026	301	✓
ARC156E	1660	660	100	600	75	100	n/a	16.5	Fully Elec	7	1244	364	✓

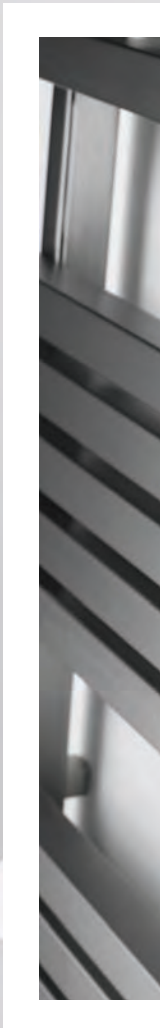
ARCANE TECHNICAL DRAWINGS



We recommend the 3 Bar Safety Valve for all ELECTRIC ONLY (E) products. Dual Fuel is possible either by use of "T" piece and radiator valve or by use of ONE850 or ONE851 (4 way valve)

Atilla is available in brushed matt and polished finishes.

MODEL SHOWN: AT5A15-S (Brushed Matt)



ATILLA

Reassuringly solid.

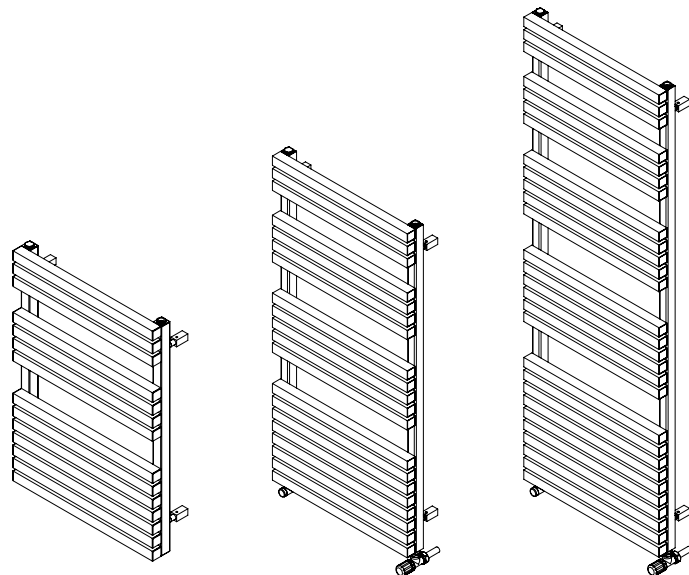
This contemporary, square towel rail brings warmth where it's needed. An essential element of the kitchen or bathroom, you'll find it co-ordinates beautifully with its surroundings.

SS MATERIAL
 SP FINISH
 10 bar WORKING PRESSURE
 120 °C WORKING TEMP.
 OC OPEN/CLOSED SYSTEM
 V MOUNTING POS.
 20 YEARS WARRANTY

PRODUCT NAME	DIMENSIONS			PIPE CENTRES mm	WALL TO PIPE CENTRE mm	WALL TO FACE mm	WATER CONTENT lt	GROSS WEIGHT kg	FUEL OPTIONS E/H/D	PIPES OR SECTIONS	HEAT OUTPUT AT ΔT 50		FINISHES	
	Height mm	Length mm	Depth mm								BTU	Watts	Brushed Matt S	Polished P
AT5A7	710	500	60	470	70-85	115-130	6.01	14.2	E/H/D	14	2056	602	✓	✓
AT5A10	1040	500	60	470	70-85	115-130	8.62	20.0	E/H/D	20	2937	860	✓	✓
AT5A15	1480	500	60	470	70-85	115-130	12.10	27.8	E/H/D	28	4112	1204	✓	✓



ATILLA TECHNICAL DRAWINGS





We recommend the 3 Bar Safety Valve for all ELECTRIC ONLY (E) products. Dual Fuel is possible either by use of "T" piece and radiator valve or by use of ONE850 or ONE851 (4 way valve)

Bolero is available in brushed matt and polished finishes

MODEL SHOWN: BOL2-S (Brushed Matt)

BOLERO

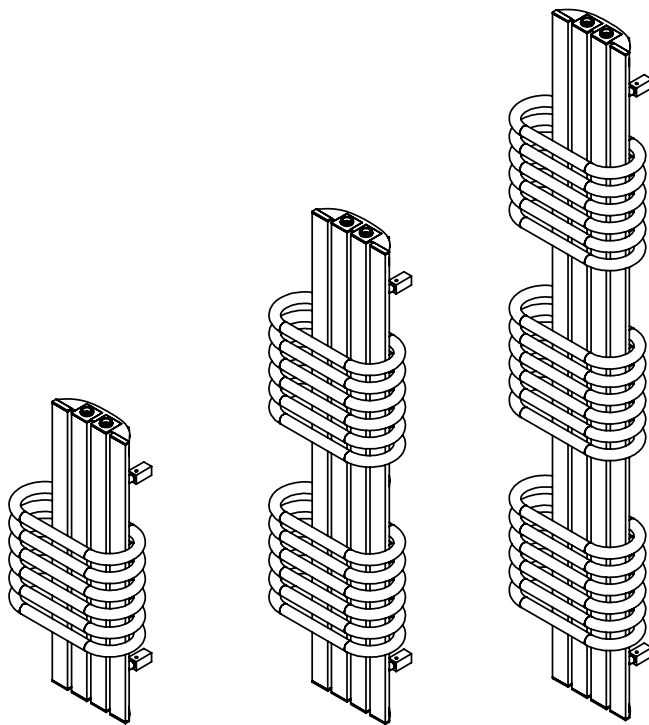
Reminiscent of its passionate Latino namesake, contemporary design blends bold, angular columns with curvaceous tubular bars. A perfect marriage of performance and beauty.

SS MATERIAL
 S/P FINISH
 10 WORKING PRESSURE
 120 °C WORKING TEMP.
 O/C OPEN/CLOSED SYSTEM
 V MOUNTING POS.
 20 YEARS WARRANTY

PRODUCT NAME	DIMENSIONS			PIPE CENTRES mm	WALL TO PIPE CENTRE mm	WALL TO FACE mm	WATER CONTENT lt	GROSS WEIGHT kg	FUEL OPTIONS E/H/D	PIPES OR SECTIONS	HEAT OUTPUT AT ΔT 50		FINISHES	
	Height mm	Length mm	Depth mm								BTU	Watts	Brushed Matt S	Polished P
BOL1	630	300	150	50	60-75	175-90	2.95	10.8	E/H/D	10	1794	526	✓	✓
BOL2	1060	300	150	50	60-75	175-90	5.26	17.8	E/H/D	16	3311	971	✓	✓
BOL3	1500	300	150	50	60-75	175-90	7.61	25.3	E/H/D	22	4839	1419	✓	✓



BOLERO TECHNICAL DRAWINGS





We recommend the 3 Bar Safety Valve for all ELECTRIC ONLY (E) products. Dual Fuel is possible either by use of "T" piece and radiator valve or by use of ONE850 or ONE851 (4 way valve)

Bosporus is available in brushed matt and polished finishes

MODEL SHOWN: BOS125-S (Brushed Matt)

BOSPORUS

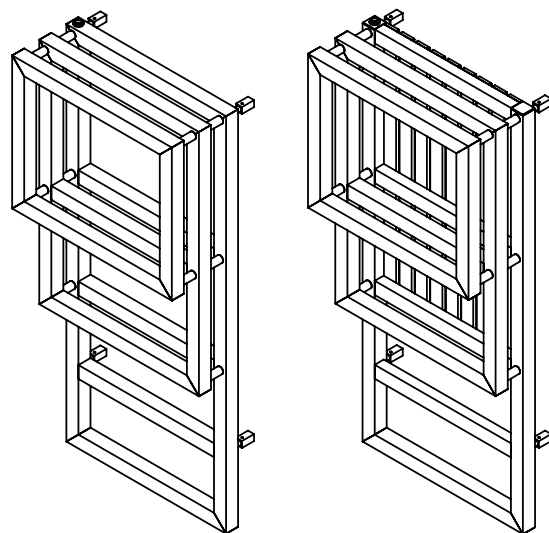
A new take on ladder-style heating. The airing shelf offers maximum convenience, while the bold design ensures a strong visual impact. You get the best of both worlds.

SS MATERIAL
 S/P FINISH
 10 WORKING PRESSURE
 120 °C WORKING TEMP.
 □ □ OPEN/CLOSED SYSTEM
 ∇ MOUNTING POS.
 20 YEARS WARRANTY

PRODUCT NAME	DIMENSIONS			PIPE CENTRES	WALL TO PIPE CENTRE	WALL TO FACE	WATER CONTENT	GROSS WEIGHT	FUEL OPTIONS	PIPES OR SECTIONS	HEAT OUTPUT AT ΔT 50		FINISHES	
	Height mm	Length mm	Depth mm								mm	mm	mm	lt
BOS125	1200	530	220	490	75-90	275-290	13.52	27.3	E/H/D	15	2148	630	✓	✓
BOSZ125	1200	530	220	490	75-90	275-290	15.29	33.2	E/H/D	24	4338	1272	✓	✓



BOSPORUS TECHNICAL DRAWINGS



FULLY ELECTRIC READY

Options available

CALDER

With effortless style, this stainless-steel towel rail with square tubes flatters any contemporary or traditional bathroom. With wide rung spacing for an abundance of towel hanging space, this luxury ladder boasts an elegant design.

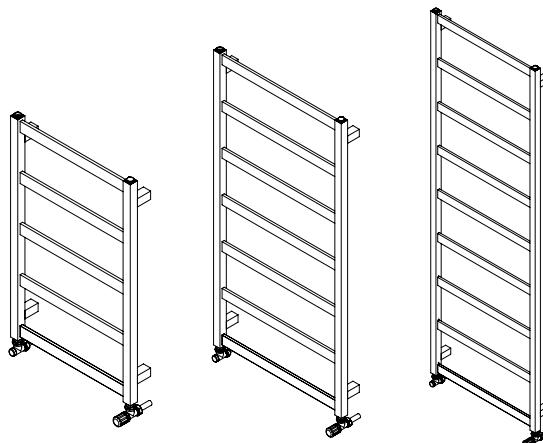
PRODUCT NAME	DIMENSIONS			PIPE CENTRES	WALL TO PIPE CENTRE	WALL TO FACE	WATER CONTENT	GROSS WEIGHT	FUEL OPTIONS	TOWEL GAPS	PIPES OR SECTIONS	HEAT OUTPUT AT ΔT 50		FINISHES			
	Height mm	Length mm	Depth mm									mm	mm	mm	lt	kg	E/H/D
CL508-5	800	500	30	470	70-80	85-95	1.7	5.5	E/H/D	4	5	669	196	✓	✓	✓	✓*
CL512-7	1200	500	30	470	70-80	85-95	2.5	7.7	E/H/D	6	7	970	284	✓	✓	✓	✓*
CL518-9	1800	500	30	470	70-80	85-95	3.6	10.5	E/H/D	8	9	1346	394	✓	✓		

* GP, Gold Polished Plated codes are bespoke made-to-order sizes.

Fully Electric Ready

PRODUCT NAME	DIMENSIONS			WALL TO FACE	GROSS WEIGHT	ELECTRIC POWER	PIPES OR SECTIONS	FINISHES			
	Height mm	Length mm	Depth mm					mm	kg	Watts	Brushed Matt S
CL5085-HE150	800	500	30	85-95	6.5	150	5	✓	✓	✓	✓
CL5127-HE300	1200	500	30	85-95	9.45	300	7	✓	✓	✓	✓
CL5189-HE400	1800	500	30	85-95	13.15	400	9	✓	✓		

CALDER TECHNICAL DRAWINGS



We recommend the 3 Bar Safety Valve for all ELECTRIC ONLY (E) products. Dual Fuel is possible either by use of "T" piece and radiator valve or by use of ONE850 or ONE851. (4 way valve)

CALDER FULLY ELECTRIC: A 3 Bar Safety Valve (3BV) is provided with this product, which the customer should install once the towel rail is secured to the wall.



Calder is available in a multitude of finishes.
Calder finishes explained:

- GS: Gold Brushed Matt Plated
- ABS: Antique Bronze Brushed Matt Plated
- CUS: Copper Brushed Matt Plated
- GP: Gold Polished Plated
- ABP: Antique Bronze Polished Plated
- CUP: Copper Polished Plated

MODEL SHOWN: CL512-7-CUS (Copper Brushed Plated)





Capadoccia is available in brushed matt and polished finishes

MODEL SHOWN: CAP905-S (Brushed matt)

CAPADOCCIA

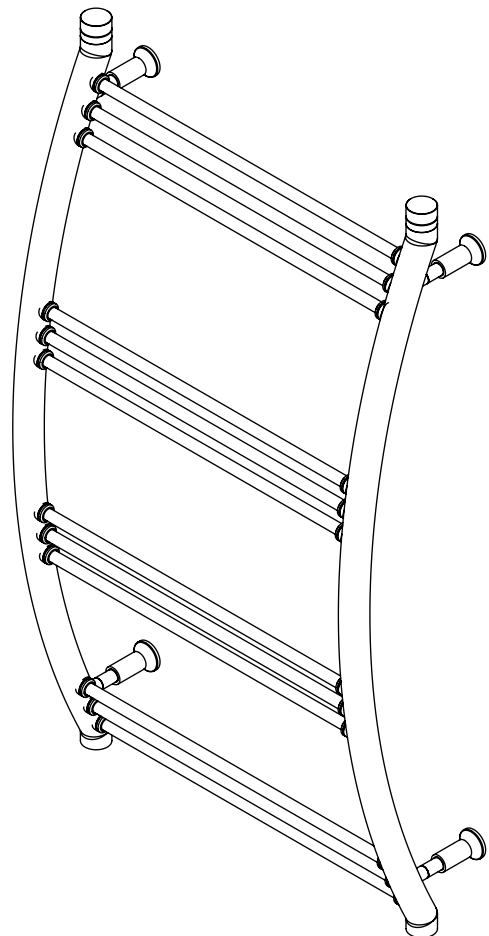
This stylish towel rail revels in its confident curves and slender proportions, complementing the contours of rounded basins and baths.

SS MATERIAL
 SP FINISH
 10 bar WORKING PRESSURE
 120 °C WORKING TEMP.
 OC OPEN/CLOSED SYSTEM
 V MOUNTING POS.
 20 YEARS WARRANTY

PRODUCT NAME	DIMENSIONS			PIPE CENTRES mm	WALL TO PIPE CENTRE mm	WALL TO FACE mm	WATER CONTENT lt	GROSS WEIGHT kg	FUEL OPTIONS E/H/D	PIPES OR SECTIONS	HEAT OUTPUT AT ΔT 50		FINISHES	
	Height mm	Length mm	Depth mm								BTU	Watts	Brushed Matt S	Polished P
CAP905	900	500	130	468	65-80	180-195	1.66	10.4	H	12	900	264	✓	✓



CAPADOCCIA TECHNICAL DRAWING



CONFIDENT CURVES, SLENDER PROPORTIONS



We recommend the 3 Bar Safety Valve for all ELECTRIC ONLY (E) products. Dual Fuel is possible either by use of "T" piece and radiator valve or by use of ONE850 or ONE851 (4 way valve)

Cat Ladder is available in brushed matt and polished finishes

MODEL SHOWN: CLA510-10P (Polished)

CAT LADDER

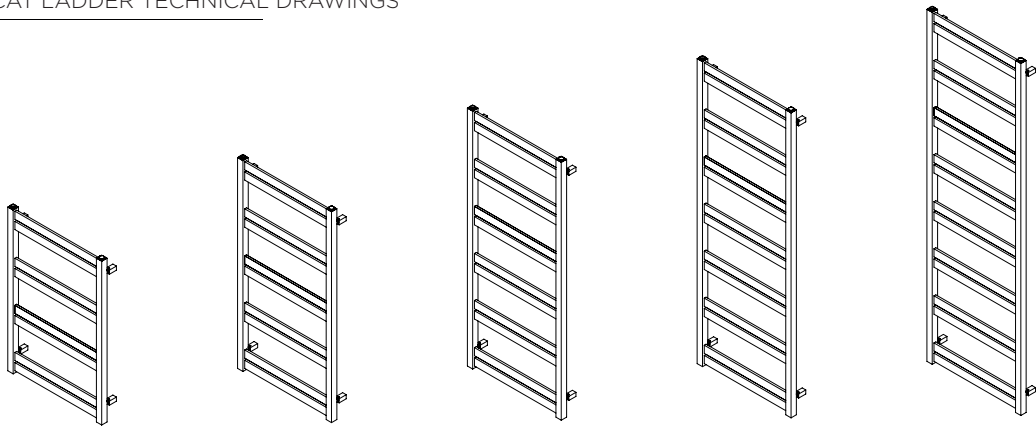
Cat-like grace.

This purr-fectly designed towel rail climbs the wall with effortless style, while radiating enough heat to keep even the fussiest feline warm and content.

SS MATERIAL
 S/P FINISH
 10 bar WORKING PRESSURE
 120 °C WORKING TEMP.
 O/C OPEN/CLOSED SYSTEM
 V MOUNTING POS.
 20 YEARS WARRANTY

PRODUCT NAME	DIMENSIONS			PIPE CENTRES mm	WALL TO PIPE CENTRE mm	WALL TO FACE mm	WATER CONTENT lt	GROSS WEIGHT kg	FUEL OPTIONS E/H/D	PIPES OR SECTIONS	HEAT OUTPUT AT ΔT 50		FINISHES	
	Height mm	Length mm	Depth mm								BTU	Watts	Brushed Matt S	Polished P
CLA508-8	800	530	30	500	70-85	85-100	2.13	8.3	E/H/D	8	946	277	✓	✓
CLA510-10	1030	530	30	500	70-85	85-100	2.70	10.3	E/H/D	10	1185	347	✓	✓
CLA513-12	1260	530	30	500	70-85	85-100	3.29	12.3	E/H/D	12	1421	416	✓	✓
CLA515-14	1490	530	30	500	70-85	85-100	3.87	14.3	E/H/D	14	1657	485	✓	✓
CLA517-16	1720	530	30	500	70-85	85-100	4.45	16.3	E/H/D	16	1892	554	✓	✓

CAT LADDER TECHNICAL DRAWINGS





MODEL SHOWN: CEN5C11-S (Brushed Matt)

CENGIZ

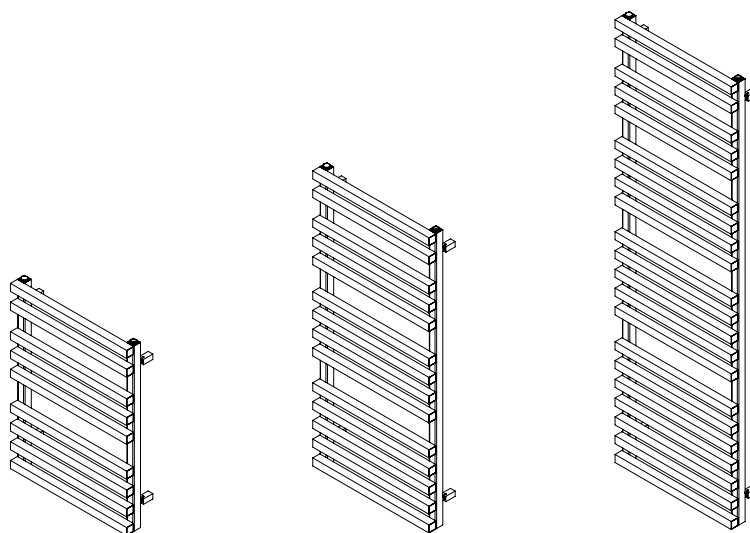
Strong. Dependable.

The masculine lines and quality craftsmanship of this design empower you to chase away those chills and make your bathroom stand out from the crowd.

SS MATERIAL
 S/P FINISH
 10 WORKING PRESSURE
 120 °C WORKING TEMP.
 O/C OPEN/CLOSED SYSTEM
 V MOUNTING POS.
 20 YEARS WARRANTY

PRODUCT NAME	DIMENSIONS			PIPE CENTRES	WALL TO PIPE CENTRE	WALL TO FACE	WATER CONTENT	GROSS WEIGHT	FUEL OPTIONS	PIPES OR SECTIONS	HEAT OUTPUT AT ΔT 50		FINISHES	
	Height mm	Length mm	Depth mm								mm	mm	mm	lt
CEN5C7	690	500	60	470	70-85	115-130	4.20	10.6	E/H/D	9	876	257	✓	✓
CEN5C11	1100	500	60	470	70-85	115-130	6.80	16.1	E/H/D	14	1323	388	✓	✓
CEN5C17	1650	500	60	470	70-85	115-130	10.05	23.7	E/H/D	21	1985	582	✓	✓

CENGIZ TECHNICAL DRAWINGS



We recommend the 3 Bar Safety Valve for all ELECTRIC ONLY (E) products. Dual Fuel is possible either by use of "T" piece and radiator valve or by use of ONE850 or ONE851 (4 way valve)

Cengiz is available in brushed matt and polished finishes.



We recommend the 3 Bar Safety Valve for all ELECTRIC ONLY (E) products. Dual Fuel is possible either by use of "T" piece and radiator valve or by use of ONE850 or ONE851 (4 way valve)

Clipper is available in brushed matt, polished and alternating brushed matt & polished finishes.

MODEL SHOWN: CL1509-P (Polished)

CLIPPER

Cutting-edge drama inspired by the barber's tool.

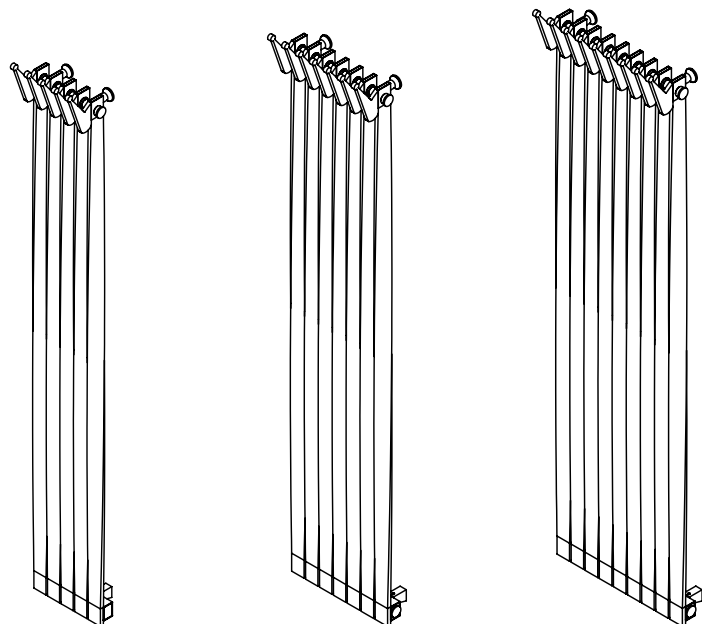
Unique Twister technology produces alternating polished and brushed steel surfaces, while tapered ends double up as coat or towel hooks.

SS MATERIAL
 S/P FINISH
 10bar WORKING PRESSURE
 120°C WORKING TEMP.
 OC OPEN/CLOSED SYSTEM
 V MOUNTING POS.
 20 YEARS WARRANTY

PRODUCT NAME	DIMENSIONS			PIPE CENTRES mm	WALL TO PIPE CENTRE mm	WALL TO FACE mm	WATER CONTENT lit	GROSS WEIGHT kg	FUEL OPTIONS E/H/D	PIPES OR SECTIONS	HEAT OUTPUT AT ΔT 50		FINISHES		
	Height mm	Length mm	Depth mm								BTU	Watts	Brushed Matt S	Polished P	Alternating Brushed Matt & Polished S, P
CL1505	1500	220	130	50	70-85	190-205	2.15	16.5	H	5	1728	506	✓	✓	✓
CL1507	1500	310	130	50-400	70-85	190-205	3.02	21.7	E/H/D	7	2418	708	✓	✓	✓
CL1509	1500	400	130	50-490	70-85	190-205	3.88	27.4	E/H/D	9	3118	913	✓	✓	✓



CLIPPER TECHNICAL DRAWINGS



CUTTING-EDGE DRAMA THAT TURNS HEADS



We recommend the 3 Bar Safety Valve for all ELECTRIC ONLY (E) products. Dual Fuel is possible either by use of "T" piece and radiator valve or by use of ONE850 or ONE851 (4 way valve)

Coffer is available in brushed matt and polished finishes

MODEL SHOWN: COF490-P (Polished)



COFFER

Stunning geometric form, reminiscent of childhood mazes.

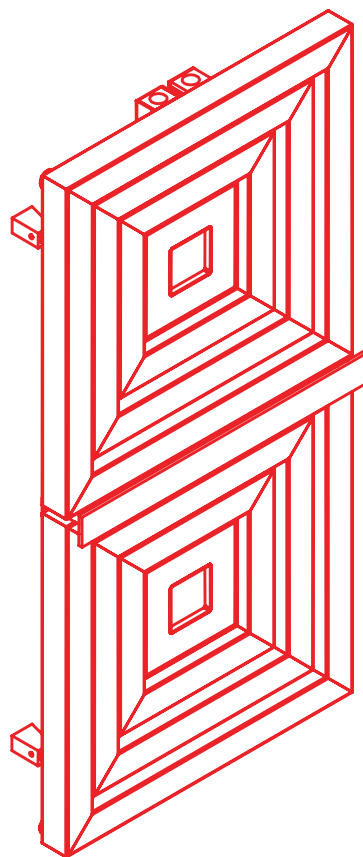
Hang these polished, geometric sequences vertically or horizontally, for a display that heats the room and excites the eye.

SS MATERIAL
 SP FINISH
 10bar WORKING PRESSURE
 120°C WORKING TEMP.
 OC OPEN/CLOSED SYSTEM
 V MOUNTING POS.
 20 YEARS WARRANTY

PRODUCT NAME	DIMENSIONS			PIPE CENTRES mm	WALL TO PIPE CENTRE mm	WALL TO FACE mm	WATER CONTENT lit	GROSS WEIGHT kg	FUEL OPTIONS E/H/D	PIPES OR SECTIONS	HEAT OUTPUT AT ΔT 50		FINISHES	
	Height mm	Length mm	Depth mm								BTU	Watts	Brushed Matt S	Polished P
COF490	890	440	70	50	40-55	95-110	10.82	22.8	E/H/D	32	2965	868	✓	✓
COF511	1090	540	70	50	40-55	95-110	17.14	29.9	E/H/D	40	4058	1188	✓	✓



COFFER TECHNICAL DRAWING



COMBE

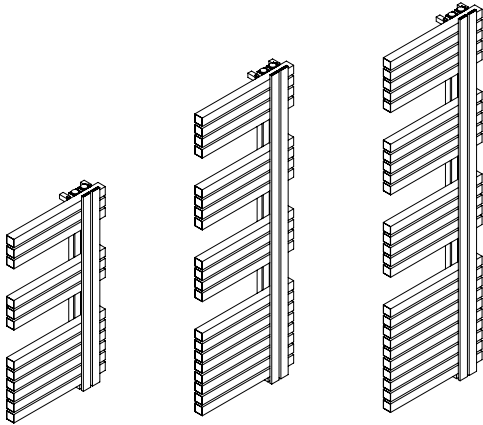
Asymmetry at its best.

This unusual design can be hung right or left-handed. It comes in three heights with a choice of brushed or polished steel finishes. The decision is yours.

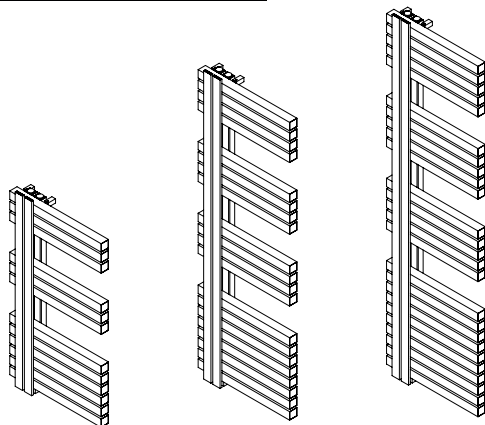
SS MATERIAL
 S/P FINISH
 10 bar WORKING PRESSURE
 120 °C WORKING TEMP.
 CC OPEN/CLOSED SYSTEM
 V MOUNTING POS.
 20 YEARS WARRANTY

PRODUCT NAME	DIMENSIONS			PIPE CENTRES mm	WALL TO PIPE CENTRE mm	WALL TO FACE mm	WATER CONTENT lt	GROSS WEIGHT kg	FUEL OPTIONS E/H/D	PIPES OR SECTIONS	HEAT OUTPUT AT ΔT 50		FINISHES	
	Height mm	Length mm	Depth mm								BTU	Watts	Brushed Matt S	Polished P
COM10-R	920	500	80	50	65-80	105-120	10.33	24.9	E/H/D	12	3197	936	✓	✓
COM10-L	920	500	80	50	65-80	105-120	10.33	24.9	E/H/D	12	3197	936	✓	✓
COM15-R	1460	500	80	50	65-80	105-120	17.11	39.3	E/H/D	20	5328	1560	✓	✓
COM15-L	1460	500	80	50	65-80	105-120	17.11	39.3	E/H/D	20	5328	1560	✓	✓
COM18-R	1710	500	80	50	65-80	105-120	21.12	47.2	E/H/D	25	6660	1950	✓	✓
COM18-L	1710	500	80	50	65-80	105-120	21.12	47.2	E/H/D	25	6660	1950	✓	✓

COMBE TECHNICAL DRAWINGS



L LEFT-HANDED MODELS



R RIGHT-HANDED MODELS





We recommend the 3 Bar Safety Valve for all ELECTRIC ONLY (E) products. Dual Fuel is possible either by use of "T" piece and radiator valve or by use of ONE850 or ONE851 (4 way valve)

Combe is available in brushed matt and polished finishes.

MODEL SHOWN: COM15-L-S (Brushed Matt)



We recommend the 3 Bar Safety Valve for all ELECTRIC ONLY (E) products. Dual Fuel is possible either by use of "T" piece and radiator valve or by use of ONE850 or ONE851 (4 way valve)

ECONOX FULLY ELECTRIC:

A 3 Bar Safety Valve (3BV) is provided with this product, which the customer should install once the towel rail is secured to the wall.

Econox is available in a multitude of finishes.

Econox finishes explained:

- GS: Gold Brushed Matt Plated
- ABS: Antique Bronze Brushed Matt Plated
- CUS: Copper Brushed Matt Plated
- GP: Gold Polished Plated
- ABP: Antique Bronze Polished Plated
- CUP: Copper Polished Plated

MODEL SHOWN: EX512-7-GS (Gold Brushed Matt Plated)

FULLY ELECTRIC READY

Options available

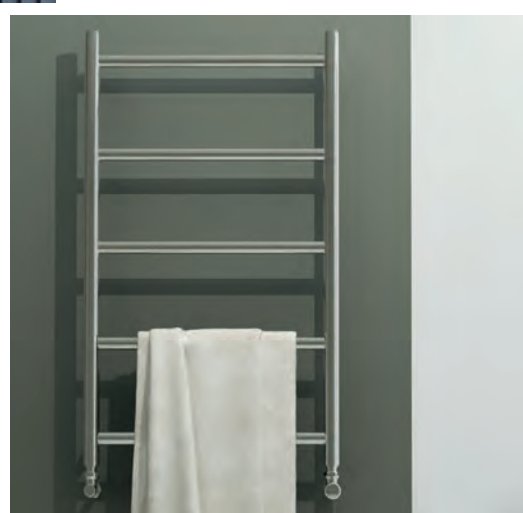
ECONOX

Offering clean lines and a highly polished chrome finish, Econox is an understated, but luxurious heating solution. Designed with small spaces in mind yet leaving plenty of space to warm your towels, this gracious radiator makes an elusive entrance.

PRODUCT NAME	DIMENSIONS			PIPE CENTRES	WALL TO PIPE CENTRE	WALL TO FACE	WATER CONTENT	GROSS WEIGHT	FUEL OPTIONS	TOWEL GAPS	PIPES OR SECTIONS	HEAT OUTPUT AT ΔT 50		FINISHES			
	Height mm	Length mm	Depth mm									mm	mm	mm	lit	kg	E/H/D
EX508-5	800	500	32	468	50-60	66-76	1.7	4.3	E/H/D	4	5	495	145	✓	✓	✓	✓
EX512-7	1200	500	32	468	50-60	66-76	2.4	6.0	E/H/D	6	7	721	211	✓	✓	✓	✓
EX518-9	1800	500	32	468	50-60	66-76	3.5	6.3	E/H/D	8	9	1011	296	✓	✓		

Fully Electric Ready

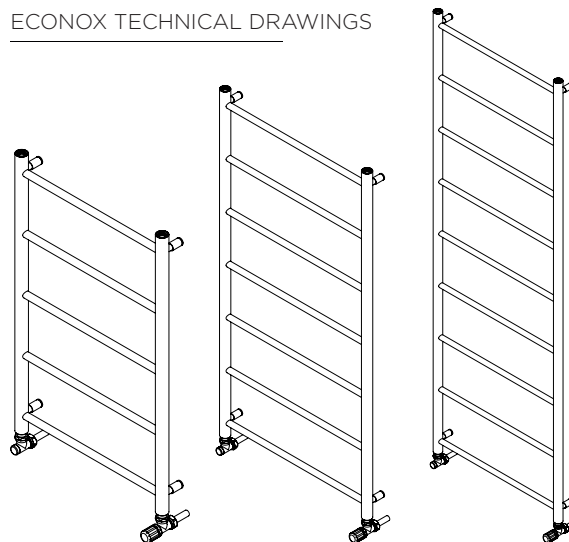
PRODUCT NAME	DIMENSIONS			WALL TO FACE	GROSS WEIGHT	ELECTRIC POWER	PIPES OR SECTIONS	FINISHES			
	Height mm	Length mm	Depth mm					mm	kg	Watts	Brushed Matt S
EX5085-HE150	800	500	32	66-76	5.25	150	5	✓	✓	✓	✓
EX5127-HE200	1200	500	32	66-76	7.65	200	7	✓	✓	✓	✓
EX5189-HE400	1800	500	32	66-76	10.85	400	9	✓	✓		



MODEL SHOWN: EX508-5-P (Polished)

Technical specifications are subject to change without prior notice.

ECONOX TECHNICAL DRAWINGS

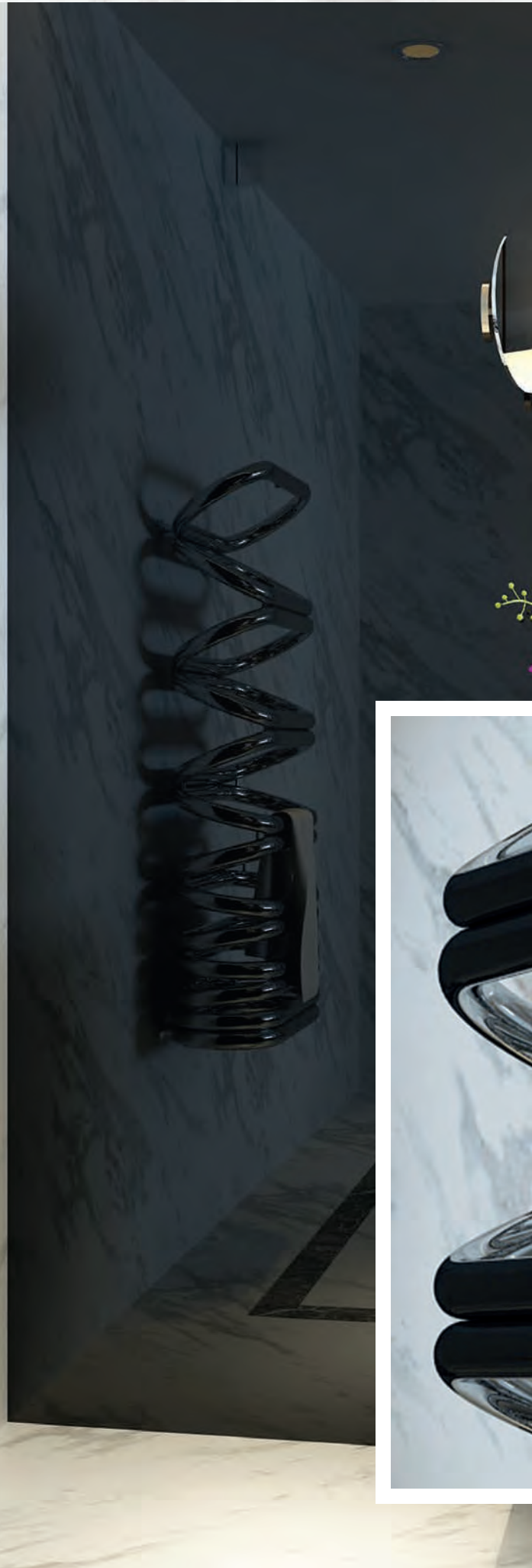


Tel: +44 (0)1908 271155 Web: www.aeon.uk.com



Ellips is available in brushed matt and polished finishes.

MODEL SHOWN: ELL136-P (Polished)



ELLIPS

Modern or retro? You decide.

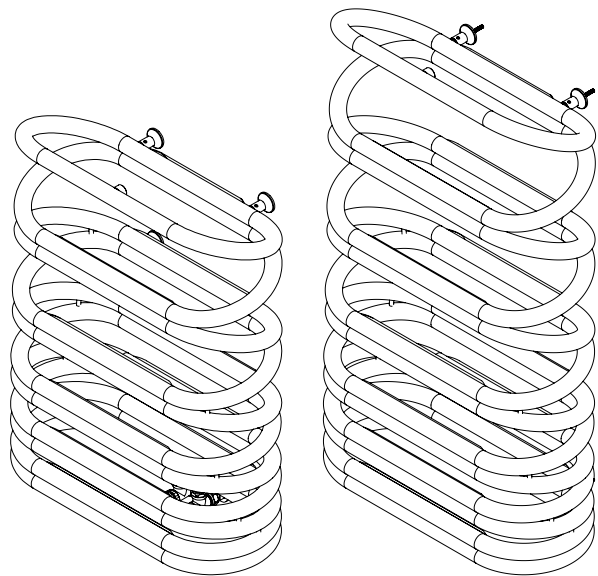
We present this gorgeous alternative to the conventional radiator. Stainless steel, faultless style; this heated sculpture will elevate any interior space.

SS MATERIAL
 SP FINISH
 10 bar WORKING PRESSURE
 120 °C WORKING TEMP.
 OC OPEN/CLOSED SYSTEM
 V MOUNTING POS.
 20 YEARS WARRANTY

PRODUCT NAME	DIMENSIONS			PIPE CENTRES mm	WALL TO PIPE CENTRE mm	WALL TO FACE mm	WATER CONTENT lt	GROSS WEIGHT kg	FUEL OPTIONS E/H/D	PIPES OR SECTIONS	HEAT OUTPUT AT ΔT 50		FINISHES	
	Height mm	Length mm	Depth mm								BTU	Watts	Brushed Matt S	Polished P
ELL086	760	600	200	50	60-75	245-260	9.50	22.00	H	11	2516	737	✓	✓
ELL136	1010	600	200	50	60-75	245-260	10.90	29.50	H	13	2974	871	✓	✓



ELLIPS TECHNICAL DRAWINGS



A COMPLEX, INNOVATIVE SILHOUETTE TO ELEVATE ANY SPACE

F-BAR

Why shouldn't your towel rail work hard and look beautiful?
The F-Bar heats your towels while you bathe. Plenty of room to hang them;
plenty of style to frame them beautifully.

SS MATERIAL
 SP FINISH
 10bar WORKING PRESSURE
 120°C WORKING TEMP.
 OC OPEN/CLOSED SYSTEM
 V MOUNTING POS.
 20 YEARS WARRANTY

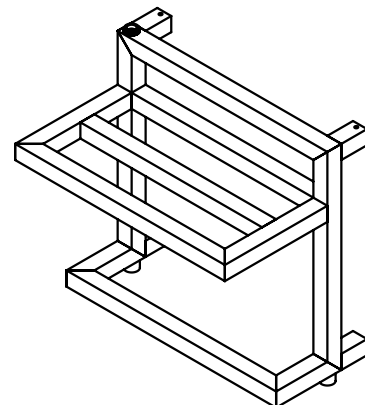
PRODUCT NAME	DIMENSIONS			PIPE CENTRES	WALL TO PIPE CENTRE	WALL TO FACE	WATER CONTENT	GROSS WEIGHT	FUEL OPTIONS	PIPES OR SECTIONS	HEAT OUTPUT AT ΔT 50		FINISHES	
	Height mm	Length mm	Depth mm								mm	mm	mm	lit
FBA404	420	450	250	420	55-65	290-300	1.6l	10.7	E/H/D	5	891	261	✓	✓



We recommend the 3 Bar Safety Valve for all ELECTRIC ONLY (E) products. Dual Fuel is possible either by use of "T" piece and radiator valve or by use of ONE850 or ONE851 (4 way valve)

F-Bar is available in brushed matt and polished finishes.

F-BAR TECHNICAL DRAWING



MODEL SHOWN: FBA404-S (Brushed Matt)

T-BAR

Designed with smaller spaces in mind.
Heating your towels while pleasing your eye, the T-Bar is no compromise.

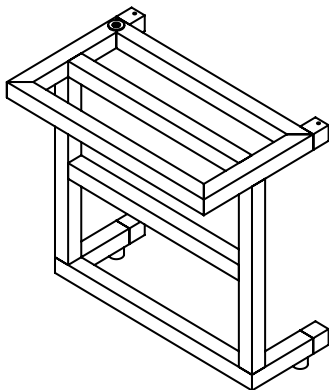
SS MATERIAL
 S/P FINISH
 10 bar WORKING PRESSURE
 120 °C WORKING TEMP.
 O/C OPEN/CLOSED SYSTEM
 V MOUNTING POS.
 20 YEARS WARRANTY

PRODUCT NAME	DIMENSIONS			PIPE CENTRES	WALL TO PIPE CENTRE	WALL TO FACE	WATER CONTENT	GROSS WEIGHT	FUEL OPTIONS	PIPES OR SECTIONS	HEAT OUTPUT AT ΔT 50		FINISHES	
	Height mm	Length mm	Depth mm								BTU	Watts	Brushed Matt S	Polished P
TBA404	440	460	250	420	60-70	290-300	1.77	9.2	H	5	891	261	✓	✓



DESIGNED FOR SMALL SPACES

T-BAR TECHNICAL DRAWING



T-Bar is available in brushed matt and polished finishes.

MODEL SHOWN: TBA404-P (Polished)



We recommend the 3 Bar Safety Valve for all ELECTRIC ONLY (E) products. Dual Fuel is possible either by use of "T" piece and radiator valve or by use of ONE850 or ONE851 (4 way valve)

Fatih is available in brushed matt and polished finishes.

MODEL SHOWN: FA5F17-S (Brushed Matt)



FATIH

The shape of things to come.

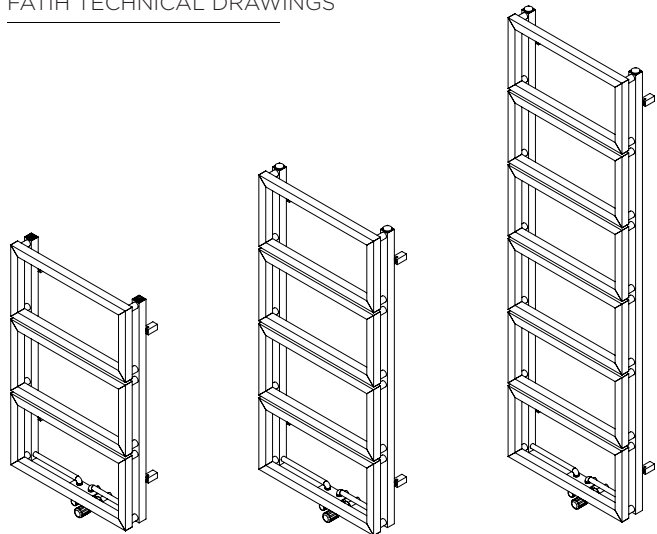
These sharp, rectangular frames shout precision engineering, while the expansive, stylish design provides ample space for your towels.

SS MATERIAL
 S/P FINISH
 10 bar WORKING PRESSURE
 120 °C WORKING TEMP.
 O/C OPEN/CLOSED SYSTEM
 V MOUNTING POS.
 20 YEARS WARRANTY

PRODUCT NAME	DIMENSIONS			PIPE CENTRES mm	WALL TO PIPE CENTRE mm	WALL TO FACE mm	WATER CONTENT lt	GROSS WEIGHT kg	FUEL OPTIONS E/H/D	PIPES OR SECTIONS	HEAT OUTPUT AT ΔT 50		FINISHES	
	Height mm	Length mm	Depth mm								BTU	Watts	Brushed Matt S	Polished P
FA5F8	830	500	90	50-470	70-85	145-160	4.56	13.8	E/H/D	14	1527	447	✓	✓
FA5F11	1110	500	90	50-470	70-85	145-160	6.08	18.1	E/H/D	18	2012	589	✓	✓
FA5F17	1670	500	90	50-470	70-85	145-160	8.90	26.6	E/H/D	26	3019	884	✓	✓



FATIH TECHNICAL DRAWINGS



G-TYPE

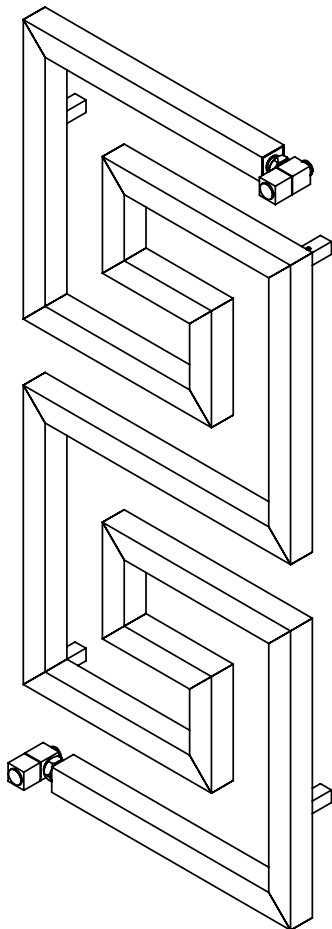
Get lost in this geometric spiral design.

Crafted in stainless steel, G-Type will make a feature of any bathroom, wet room or lavatory.

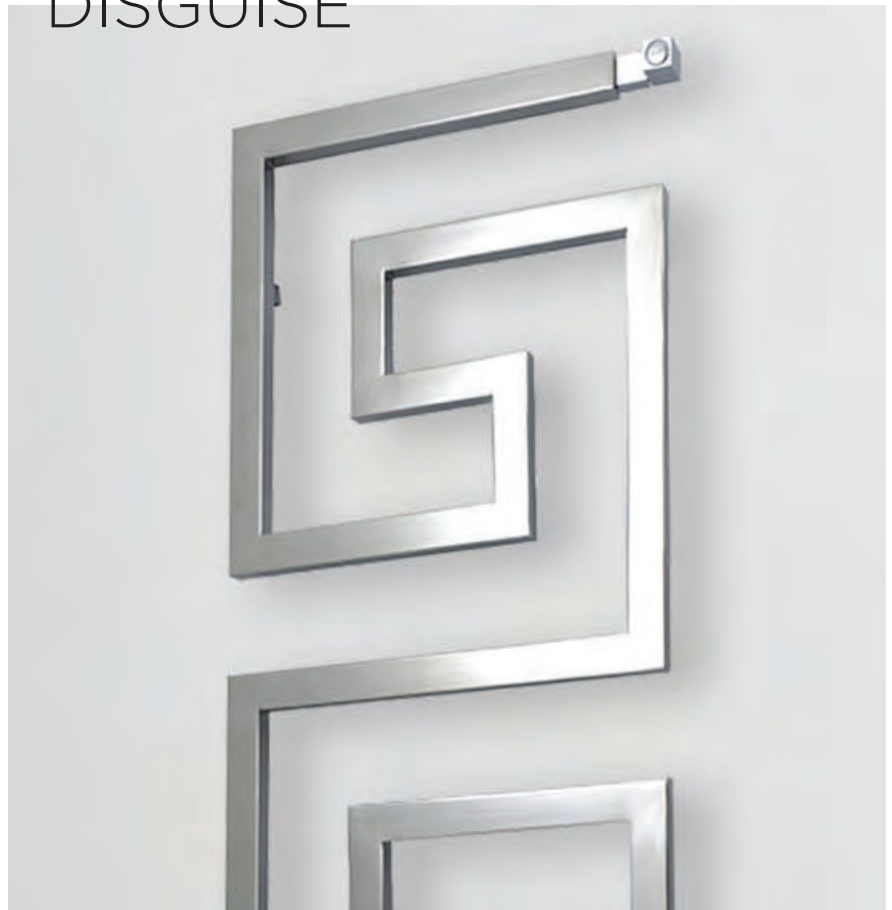
SS MATERIAL
 S/P FINISH
 10bar WORKING PRESSURE
 120°C WORKING TEMP.
 O/C OPEN/CLOSED SYSTEM
 V MOUNTING POS.
 20 YEARS WARRANTY

PRODUCT NAME	DIMENSIONS			PIPE CENTRES mm	WALL TO PIPE CENTRE mm	WALL TO FACE mm	WATER CONTENT lt	GROSS WEIGHT kg	FUEL OPTIONS E/H/D	PIPES OR SECTIONS 17	HEAT OUTPUT AT ΔT 50		FINISHES	
	Height mm	Length mm	Depth mm								BTU	Watts	Brushed Matt S	Polished P
GT1249	1200	490	40	1160	65-80	85-100	7.60	11.3	E/H/D	17	1646	482	✓	✓

G-TYPE TECHNICAL DRAWING



A BATHROOM TOWEL RAIL IN A GEOMETRIC DISGUISE

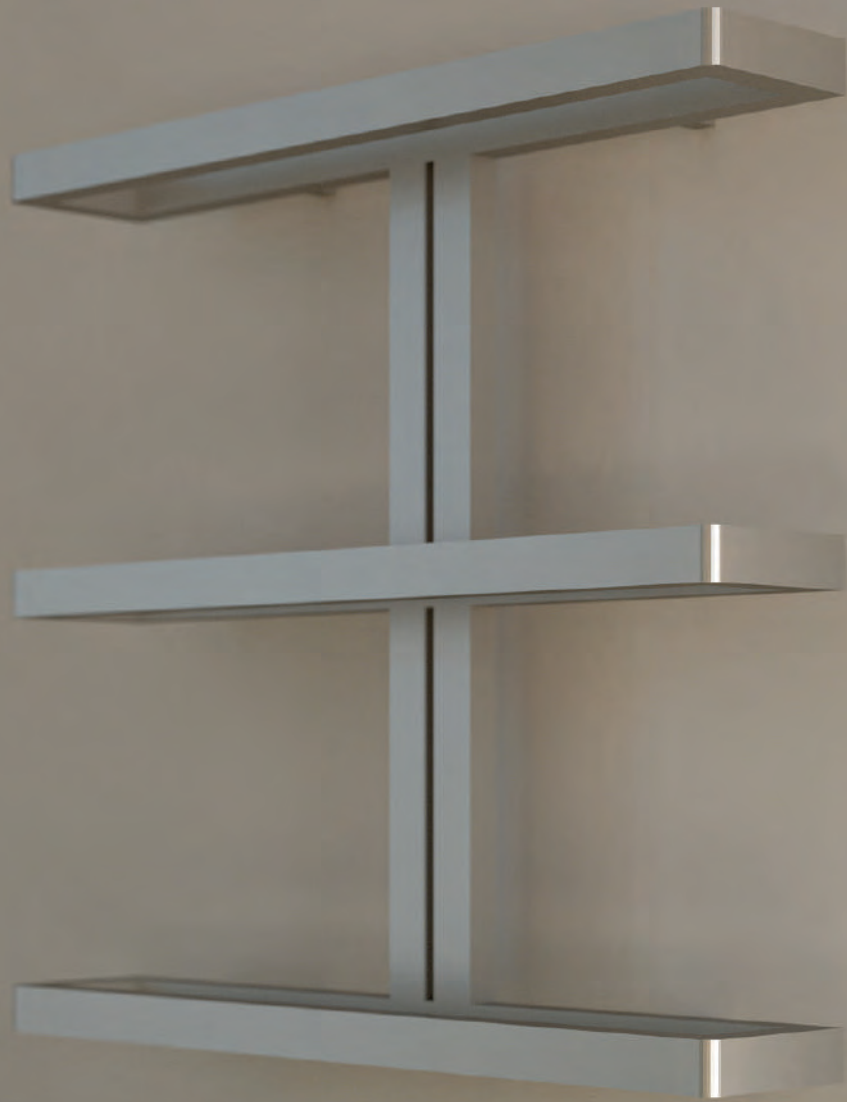




We recommend the 3 Bar Safety Valve for all ELECTRIC ONLY (E) products. Dual Fuel is possible either by use of "T" piece and radiator valve or by use of ONE850 or ONE851 (4 way valve)

G-Type is available in brushed matt and polished finishes.

MODEL SHOWN: GT1249-P (Polished)



We recommend the 3 Bar Safety Valve for all ELECTRIC ONLY (E) products. Dual Fuel is possible either by use of "T" piece and radiator valve or by use of ONE850 or ONE851 (4 way valve)

Gallant is available in brushed matt and polished finishes.

MODEL SHOWN: GA807-S (Brushed Matt)



GALLANT

Boutique chic.

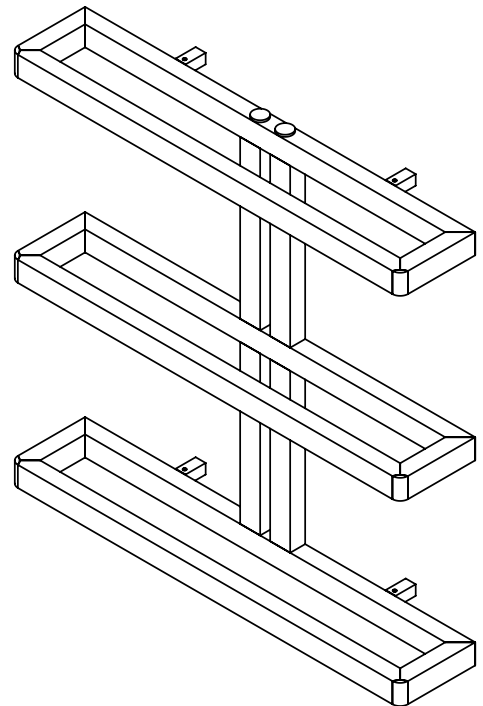
This elegant design offers practicality without sacrificing style.

SS MATERIAL
 S/P FINISH
 10 bar WORKING PRESSURE
 120 °C WORKING TEMP.
 O/C OPEN/CLOSED SYSTEM
 V MOUNTING POS.
 20 YEARS WARRANTY

PRODUCT NAME	DIMENSIONS			PIPE CENTRES mm	WALL TO PIPE CENTRE mm	WALL TO FACE mm	WATER CONTENT lt	GROSS WEIGHT kg	FUEL OPTIONS E/H/D	PIPES OR SECTIONS 16	HEAT OUTPUT AT ΔT 50		FINISHES	
	Height mm	Length mm	Depth mm								BTU	Watts	Brushed Matt S	Polished P
GA807	750	780	150	50	65-80	200-215	6.83	18.4	E/H/D	16	2169	635	✓	✓



GALLANT TECHNICAL DRAWING



We recommend the 3 Bar Safety Valve for all ELECTRIC ONLY (E) products. Dual Fuel is possible either by use of "T" piece and radiator valve or by use of ONE850 or ONE851 (4 way valve)

Gallipoli is available in brushed matt and polished finishes.

MODEL SHOWN: GALL-3-S (Brushed Matt)

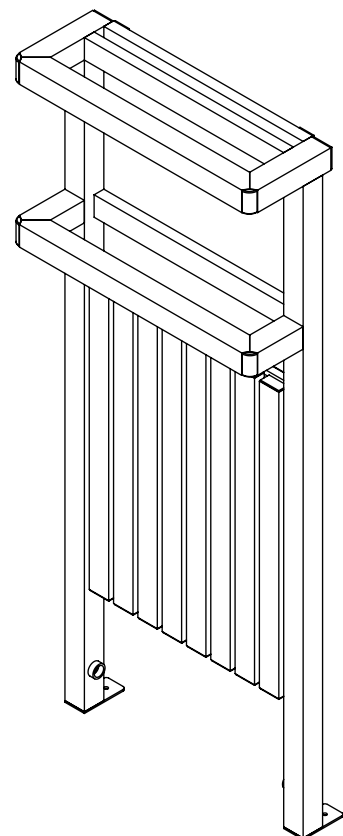
GALLIPOLI

Timeless beauty meets Turkish bathing in this practical, high performance radiator. With a choice of one, two or three integrated towel bars, it's functional and fabulous.

SS MATERIAL
 SP FINISH
 10 bar WORKING PRESSURE
 120 °C WORKING TEMP.
 OC OPEN/CLOSED SYSTEM
 V MOUNTING POS.
 20 YEARS WARRANTY

PRODUCT NAME	DIMENSIONS			PIPE CENTRES mm	WALL TO PIPE CENTRE mm	WALL TO FACE mm	WATER CONTENT lt	GROSS WEIGHT kg	FUEL OPTIONS E/H/D	PIPES OR SECTIONS	HEAT OUTPUT AT ΔT 50		FINISHES	
	Height mm	Length mm	Depth mm								BTU	Watts	Brushed Matt S	Polished P
GALL-1	914	490	170	300	65	195	7.04	20.0	E/H/D	15	2172	636	✓	✓
GALL-2	1204	490	170	300	65	195	9.18	24.8	E/H/D	19	2606	763	✓	✓
GALL-3	1494	490	170	300	65	195	11.31	29.3	E/H/D	23	3040	890	✓	✓

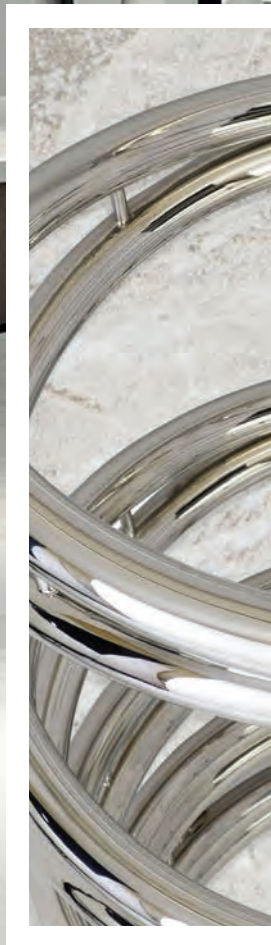
GALLIPOLI TECHNICAL DRAWING





Helio is available in brushed matt and polished finishes.

MODEL SHOWN: HFL125-P (Polished)



HELIO

A unique radiator with sensational character.

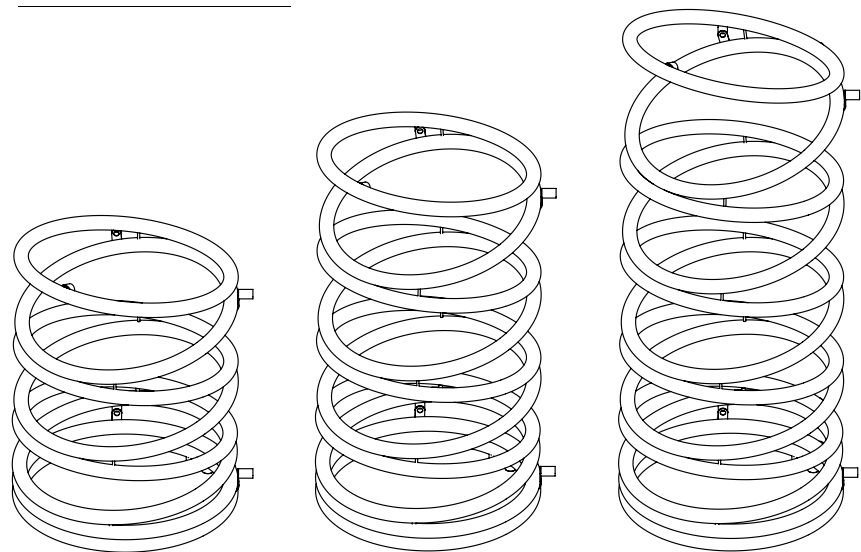
Energised by a Modern Art influence, the dramatic coil of Helio tells of the energy within.

Designed to fit into and heat up any cold corner, it will be a talking point for any home.

SS MATERIAL
 S/P FINISH
 10 bar WORKING PRESSURE
 120 °C WORKING TEMP.
 O/C OPEN/CLOSED SYSTEM
 V MOUNTING POS.
 20 YEARS WARRANTY

PRODUCT NAME	DIMENSIONS			PIPE CENTRES	WALL TO PIPE CENTRE	WALL TO FACE	WATER CONTENT	GROSS WEIGHT	FUEL OPTIONS	PIPES OR SECTIONS	HEAT OUTPUT AT ΔT 50		FINISHES	
	Height mm	Length mm	Depth mm								mm	mm	mm	lt
HEL065	645	535	515	50	75	100	8.30	13.00	H	8	1929	565	✓	✓
HEL095	885	535	515	50	75	100	10.30	16.50	H	10	2411	706	✓	✓
HEL125	1205	535	515	50	75	100	12.50	20.50	H	12	2894	847	✓	✓

HELIO TECHNICAL DRAWING



SENSATIONAL CHARACTER IN A DRAMATIC SHAPE

HONEYCOMB

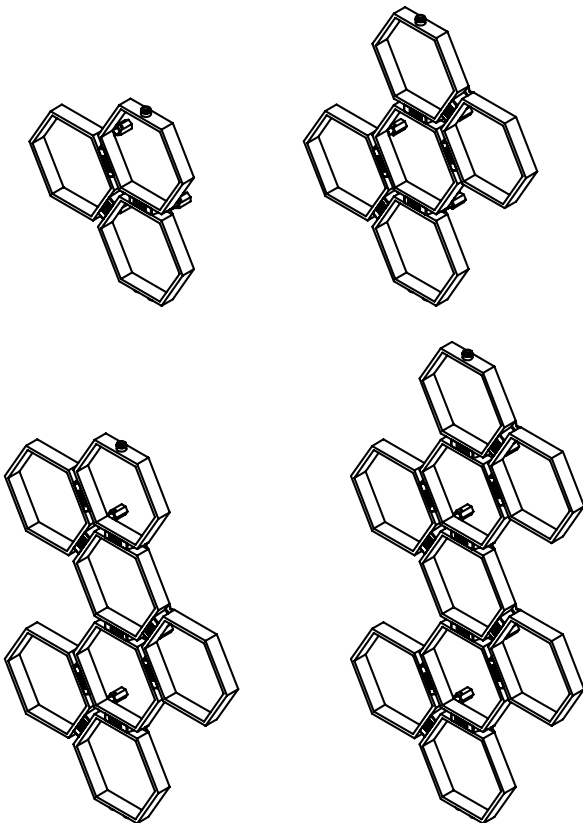
Create a buzz.

This hexagonal design evokes a cheerful, fun-loving mood, bringing the wonderful world of nature indoors.

SS MATERIAL
 S/P FINISH
 8.6 WORKING PRESSURE
 120 °C WORKING TEMP.
 O/C OPEN/CLOSED SYSTEM
 V MOUNTING POS.
 20 YEARS WARRANTY

PRODUCT NAME	DIMENSIONS			PIPE CENTRES mm	WALL TO PIPE CENTRE mm	WALL TO FACE mm	WATER CONTENT lt	GROSS WEIGHT kg	FUEL OPTIONS E/H/D	PIPES OR SECTIONS	HEAT OUTPUT AT ΔT 50		FINISHES	
	Height mm	Length mm	Depth mm								BTU	Watts	Brushed Matt S	Polished P
HON3	580	550	40	50	75-90	95-110	0.69	7.4	H	18	666	195	✓	✓
HON5	840	785	40	50	75-90	95-110	1.15	12.8	H	30	1110	325	✓	✓
HON7	1120	785	40	50	75-90	95-110	1.61	16.9	H	42	1554	455	✓	✓
HON9	1400	785	40	50	75-90	95-110	2.08	21.2	H	54	1998	585	✓	✓

HONEYCOMB TECHNICAL DRAWINGS





Honeycomb is available in brushed matt and polished finishes.

MODEL SHOWN: HON9-S (Brushed Matt)

KAPTAN

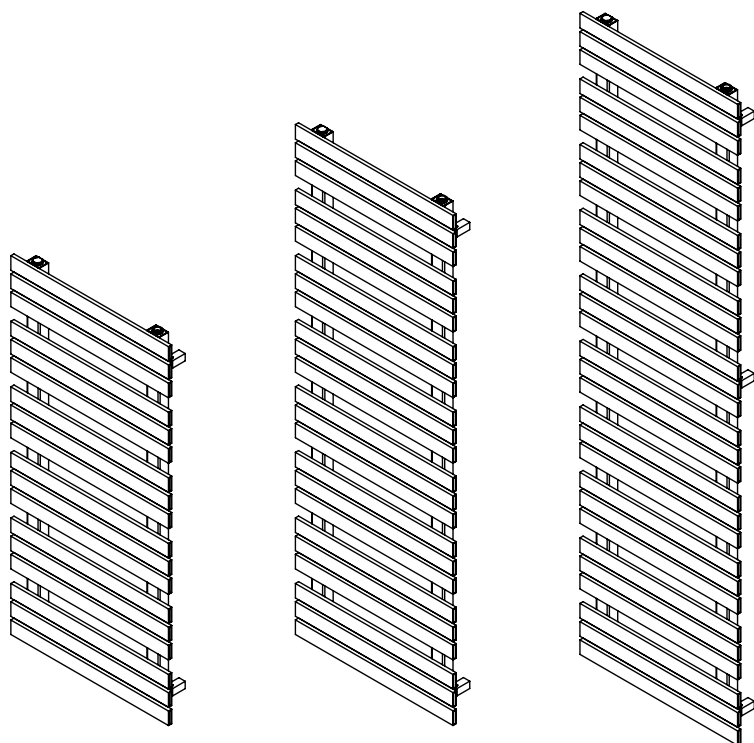
It's a radiator, but not as you know it.

This simple, but stately set of horizontal bars whispers true class, with a satin finish and unrivalled performance. A perfect example of what we do best.

SS MATERIAL
 S|P FINISH
 10bar WORKING PRESSURE
 120°C WORKING TEMP.
 O|C OPEN/CLOSED SYSTEM
 V MOUNTING POS.
 20 YEARS WARRANTY

PRODUCT NAME	DIMENSIONS			PIPE CENTRES	WALL TO PIPE CENTRE	WALL TO FACE	WATER CONTENT	GROSS WEIGHT	FUEL OPTIONS	PIPES OR SECTIONS	HEAT OUTPUT AT ΔT 50		FINISHES	
	Height mm	Length mm	Depth mm								mm	mm	mm	lit
KA18	1040	500	40	380	40-55	65-80	3.64	16.6	E/H/D	18	2388	699	✓	✓
KA24	1400	500	40	380	40-55	65-80	4.88	21.9	E/H/D	24	3183	932	✓	✓
KA30	1760	500	40	380	40-55	65-80	6.11	27.4	E/H/D	30	3979	1165	✓	✓

KAPTAN TECHNICAL DRAWINGS



We recommend the 3 Bar Safety Valve for all ELECTRIC ONLY (E) products. Dual Fuel is possible either by use of "T" piece and radiator valve or by use of ONE850 or ONE851 (4 way valve)

Kaptan is available in brushed matt and polished finishes.

MODEL SHOWN: KA24-S (Brushed Matt)





We recommend the 3 Bar Safety Valve for all ELECTRIC ONLY (E) products. Dual Fuel is possible either by use of "T" piece and radiator valve or by use of ONE850 or ONE851 (4 way valve)

Karnak is available in brushed matt and polished finishes.

MODEL SHOWN: 5K17-S (Brushed Matt)

KARNAK

Head to toe luxury.

Relax in the tub as Karnak gently warms even of the largest and fluffiest of bath sheets.

Then emerge and bask in the warmth of this radiator's full height.

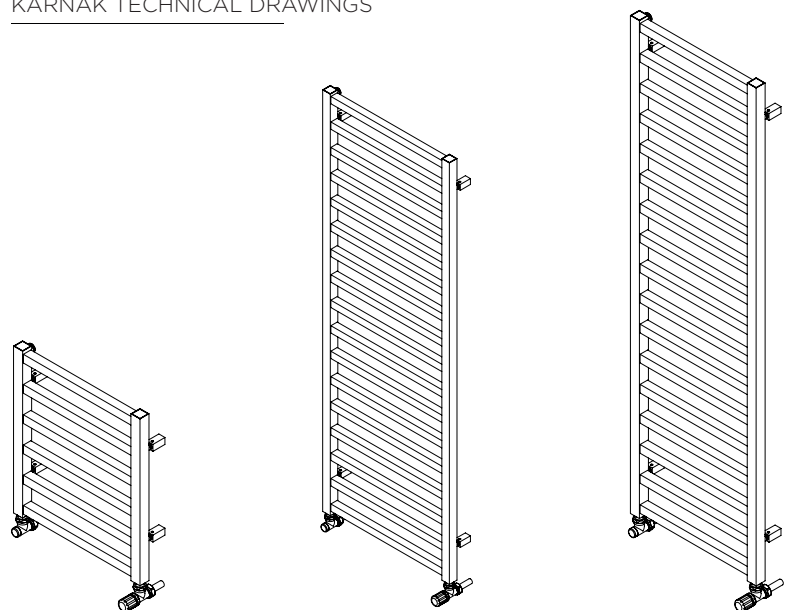
SS MATERIAL
 S/P FINISH
 10 bar WORKING PRESSURE
 120 °C WORKING TEMP.
 O/C OPEN/CLOSED SYSTEM
 V MOUNTING POS.
 20 YEARS WARRANTY

PRODUCT NAME	DIMENSIONS			PIPE CENTRES mm	WALL TO PIPE CENTRE mm	WALL TO FACE mm	WATER CONTENT lt	GROSS WEIGHT kg	FUEL OPTIONS E/H/D	PIPES OR SECTIONS	HEAT OUTPUT AT ΔT 50		FINISHES	
	Height mm	Length mm	Depth mm								BTU	Watts	Brushed Matt S	Polished P
3K10	1000	310	30	280	70-85	85-100	2.6	5.6	E/H/D	12	519	152	✓	✓
3K14	1440	310	30	280	70-85	85-100	3.7	7.9	E/H/D	17	735	215	✓	✓
4K5	480	420	30	390	70-85	85-100	1.8	4.2	E/H/D	6	351	103	✓	✓
4K14	1440	420	30	390	70-85	85-100	5.0	10.8	E/H/D	17	995	291	✓	✓
5K10	1000	500	30	470	70-85	85-100	4.0	10.5	E/H/D	12	836	245	✓	✓
5K14	1440	500	30	470	70-85	85-100	5.9	12.8	E/H/D	17	1185	347	✓	✓
5K17	1700	500	30	470	70-85	85-100	6.6	17.1	E/H/D	20	1468	430	✓	✓

ROBUST SQUARE TUBES OFFER A BOLD ALTERNATIVE



KARNAK TECHNICAL DRAWINGS





We recommend the 3 Bar Safety Valve for all ELECTRIC ONLY (E) products. Dual Fuel is possible either by use of "T" piece and radiator valve or by use of ONE850 or ONE851 (4 way valve)

Labren is available in brushed matt and polished finishes.

MODEL SHOWN: LA108-S (Brushed Matt)

LABREN

Ultra-modern, ultra-chic.

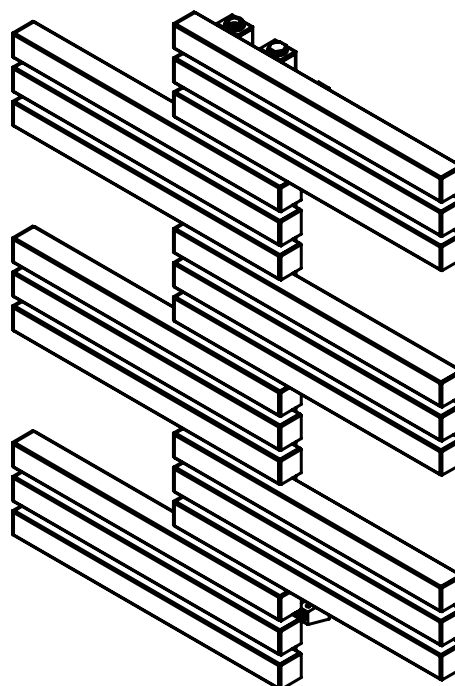
This symmetrical design is very easy on the eye. The satin finish shimmers in the light, while the high quality system gives off its comforting heat.

SS MATERIAL
 S/P FINISH
 10 bar WORKING PRESSURE
 120 °C WORKING TEMP.
 O/C OPEN/CLOSED SYSTEM
 V MOUNTING POS.
 20 YEARS WARRANTY

PRODUCT NAME	DIMENSIONS			PIPE CENTRES	WALL TO PIPE CENTRE	WALL TO FACE	WATER CONTENT	GROSS WEIGHT	FUEL OPTIONS	PIPES OR SECTIONS	HEAT OUTPUT AT ΔT 50		FINISHES	
	Height mm	Length mm	Depth mm								mm	mm	mm	lt
LA108	975	800	70	80	40-55	95-110	14.13	31.1	E/H/D	18	4310	1262	✓	✓



LABREN TECHNICAL DRAWING





We recommend the 3 Bar Safety Valve for all ELECTRIC ONLY (E) products. Dual Fuel is possible either by use of "T" piece and radiator valve or by use of ONE850 or ONE851 (4 way valve)

Linx is available in brushed matt and polished finishes.

MODEL SHOWN: LNX107-S (Brushed Matt)



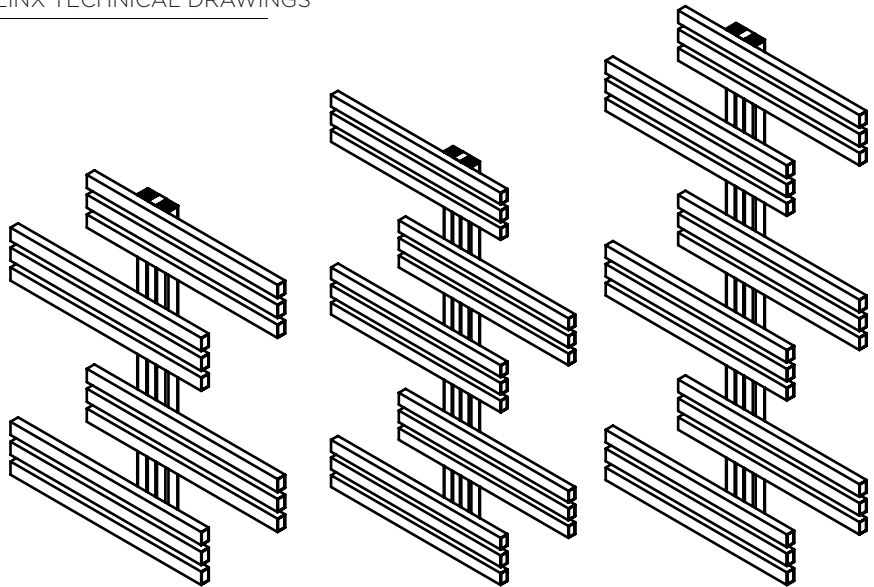
LINX

A stealthy beauty, this radiator will still make a bold statement in any room. With exceptional heating capability, and crafted in quality stainless steel, you will be quietly satisfied with your choice.

SS MATERIAL
 SP FINISH
 10 WORKING PRESSURE
 120 °C WORKING TEMP.
 OC OPEN/CLOSED SYSTEM
 V MOUNTING POS.
 20 YEARS WARRANTY

PRODUCT NAME	DIMENSIONS			PIPE CENTRES	WALL TO PIPE CENTRE	WALL TO FACE	WATER CONTENT	GROSS WEIGHT	FUEL OPTIONS	PIPES OR SECTIONS	HEAT OUTPUT AT ΔT 50		FINISHES	
	Height mm	Length mm	Depth mm								mm	mm	mm	lt
LNx807	780	700	60	50	25-45	65-80	3.9	12.2	E/H/D	12	1441	422	✓	✓
LNx107	1000	700	60	50	25-45	65-80	4.9	15.3	E/H/D	15	1810	530	✓	✓
LNx127	1220	700	60	50	25-45	65-80	5.8	18.4	E/H/D	18	2183	639	✓	✓

LINX TECHNICAL DRAWINGS



FLAT BARS AND SQUARE TUBING WITH OPEN-ENDED RAILS

Maze is available in brushed matt and polished finishes.

MODEL SHOWN: MAZ1855-S (Brushed Matt)



MAZE

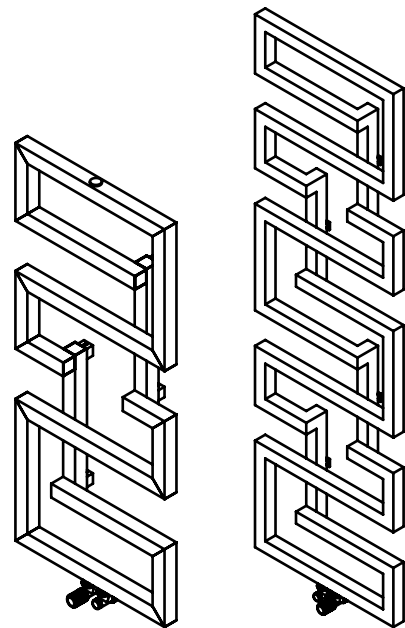
Evolving the trend for square profile stainless steel, Maze gets right to the heart of heating. This abstract, geometric pattern complements the clean lines of contemporary interiors.

SS MATERIAL
 S/P FINISH
 8bar WORKING PRESSURE
 120 °C WORKING TEMP.
 OC OPEN/CLOSED SYSTEM
 V MOUNTING POS.
 20 YEARS WARRANTY

PRODUCT NAME	DIMENSIONS			PIPE CENTRES	WALL TO PIPE CENTRE	WALL TO FACE	WATER CONTENT	GROSS WEIGHT	FUEL OPTIONS	HEAT OUTPUT AT ΔT 50		FINISHES	
	Height mm	Length mm	Depth mm							mm	mm	mm	lt
MAZI250	1150	500	80	50	85-95	105-115	6.20	17.4	H	1069	313	✓	✓
MAZI855	1800	540	80	50	85-95	105-115	12.18	23.2	H	2114	619	✓	✓



MAZE TECHNICAL DRAWINGS





We recommend the 3 Bar Safety Valve for all ELECTRIC ONLY (E) products. Dual Fuel is possible either by use of "T" piece and radiator valve or by use of ONE850 or ONE851 (4 way valve)

Panacea Bath is available in brushed matt and polished finishes.

MODEL SHOWN: PANB1208-S (Brushed Matt)

PANACEA BATH

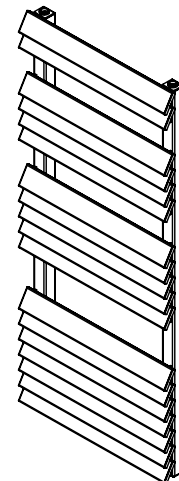
The perfect bathroom accessory.

This chic, louvre-style towel rail will keep the room toasty while you bathe - and give you something lovely to look at.

SS MATERIAL
 S/P FINISH
 8.6 WORKING PRESSURE
 120°C WORKING TEMP.
 O/C OPEN/CLOSED SYSTEM
 V MOUNTING POS.
 20 YEARS WARRANTY

PRODUCT NAME	DIMENSIONS			PIPE CENTRES mm	WALL TO PIPE CENTRE mm	WALL TO FACE mm	WATER CONTENT lt	GROSS WEIGHT kg	FUEL OPTIONS E/H/D	PIPES OR SECTIONS	HEAT OUTPUT AT ΔT 50		RETAIL PRICE £	
	Height mm	Length mm	Depth mm								BTU	Watts	Brushed Matt S	Polished P
PANB704	660	400	75	340	50	110	2.96	13.9	E/H/D	11	1104	323	✓	✓
PANB1004	985	400	75	340	50	110	4.36	19.8	E/H/D	16	1596	467	✓	✓
PANB1204	1175	400	75	340	50	110	5.03	22.6	E/H/D	18	1813	531	✓	✓
PANB1504	1500	400	75	340	50	110	6.27	27.9	E/H/D	22	2229	653	✓	✓
PANB1704	1680	400	75	340	50	110	7.23	32.0	E/H/D	26	2594	759	✓	✓
PANB705	660	500	75	440	50	110	3.40	16.3	E/H/D	11	1298	380	✓	✓
PANB1005	985	500	75	440	50	110	4.99	23.2	E/H/D	16	1878	550	✓	✓
PANB1205	1175	500	75	440	50	110	5.75	26.6	E/H/D	18	2131	624	✓	✓
PANB1505	1500	500	75	440	50	110	7.14	32.7	E/H/D	22	2617	766	✓	✓
PANB1705	1680	500	75	440	50	110	8.27	37.6	E/H/D	26	3053	894	✓	✓
PANB706	660	600	75	540	50	110	3.84	18.6	E/H/D	11	1493	437	✓	✓
PANB1006	985	600	75	540	50	110	5.63	26.7	E/H/D	16	2161	633	✓	✓
PANB1206	1175	600	75	540	50	110	6.46	30.5	E/H/D	18	2449	717	✓	✓
PANB1506	1500	600	75	540	50	110	8.02	37.5	E/H/D	22	3006	880	✓	✓
PANB1706	1680	600	75	540	50	110	9.31	43.2	E/H/D	26	3512	1028	✓	✓
PANB708	660	800	75	740	50	110	4.72	23.4	E/H/D	11	1881	551	✓	✓
PANB1008	985	800	75	740	50	110	6.91	33.5	E/H/D	16	2726	798	✓	✓
PANB1208	1175	800	75	740	50	110	7.90	38.3	E/H/D	18	3085	903	✓	✓
PANB1508	1500	800	75	740	50	110	9.78	47.2	E/H/D	22	3783	1108	✓	✓
PANB1708	1680	800	75	740	50	110	11.38	54.3	E/H/D	26	4431	1297	✓	✓

PANACEA BATH TECHNICAL DRAWING



We recommend the 3 Bar Safety Valve for all ELECTRIC ONLY (E) products. Dual Fuel is possible either by use of "T" piece and radiator valve or by use of ONE850 or ONE851 (4 way valve)

Petit is available in brushed matt and polished finishes.

MODEL SHOWN: PET46-P (Polished)



PETIT

Small is beautiful.

This attractively proportioned towel rail can grace the most bijoux of bathrooms - and boasts an impressive heat output.

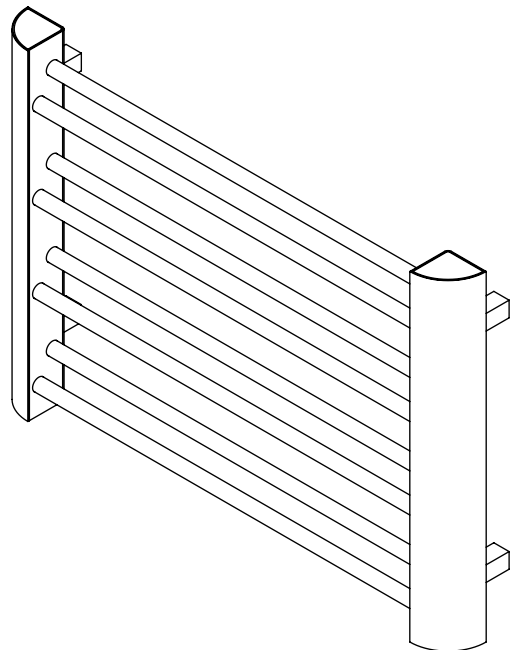
SS MATERIAL
 SP FINISH
 10bar WORKING PRESSURE
 120°C WORKING TEMP.
 OC OPEN/CLOSED SYSTEM
 M MOUNTING POS.
 20 YEARS WARRANTY

PRODUCT NAME	DIMENSIONS			PIPE CENTRES	WALL TO PIPE CENTRE	WALL TO FACE	WATER CONTENT	GROSS WEIGHT	FUEL OPTIONS	PIPES OR SECTIONS	HEAT OUTPUT AT ΔT 50		FINISHES	
	Height mm	Length mm	Depth mm								mm	mm	mm	lt
PETS46	420	600	50	540	65-80	90-105	2.14	8.0	E/H/D	8	716	210	✓	✓



MODEL SHOWN: PET46-S (Brushed Matt)

PETIT TECHNICAL DRAWING





We recommend the 3 Bar Safety Valve for all ELECTRIC ONLY (E) products. Dual Fuel is possible either by use of "T" piece and radiator valve or by use of ONE850 or ONE851 (4 way valve)

Saluta is available in a polished finish.

MODEL SHOWN: SAL055-P (Polished)

SALUTA

With sleek and elegant styling, this towel rail will enrich the character of any bathroom.

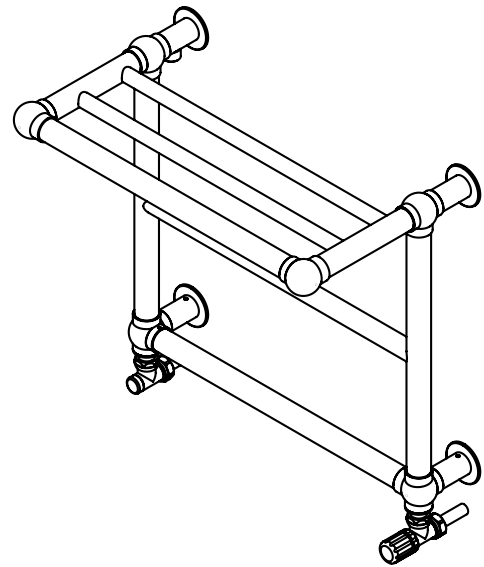
SS MATERIAL
 P FINISH
 10 WORKING PRESSURE
 120 °C WORKING TEMP.
 O/C OPEN/CLOSED SYSTEM
 V MOUNTING POS.
 20 YEARS WARRANTY

PRODUCT NAME	DIMENSIONS			PIPE CENTRES	WALL TO PIPE CENTRE	WALL TO FACE	WATER CONTENT	GROSS WEIGHT	FUEL OPTIONS	PIPES OR SECTIONS	HEAT OUTPUT AT ΔT 50		FINISHES
	Height mm	Length mm	Depth mm								BTU	Watts	
SAL055	500	560	325	500	80-90	315-325	1.84	6.80	E/H/D	5	793	232	Polished P ✓



THIS CLEVER DESIGN
 ALLOWS YOU TO STACK,
 ROLL OR HANG YOUR
 TOWELS

SALUTA TECHNICAL DRAWING





We recommend the 3 Bar Safety Valve for all ELECTRIC ONLY (E) products. Dual Fuel is possible either by use of "T" piece and radiator valve or by use of ONE850 or ONE851 (4 way valve)

Seren is available in brushed matt and polished finishes with the addition of chrome and gold trims.

MODEL SHOWN: SE175-S (Brushed Matt)

SEREN

Spacious enough to accommodate even the largest family at bath-time, and superbly crafted to ensure a flawless finish, Seren provides a practical and elegant place to keep towels warm.

SS MATERIAL
 S P H FINISH
 10 bar WORKING PRESSURE
 120 °C WORKING TEMP.
 OC OPEN/CLOSED SYSTEM
 V MOUNTING POS.
 20 YEARS WARRANTY

PRODUCT NAME	DIMENSIONS			PIPE CENTRES mm	WALL TO PIPE CENTRE mm	WALL TO FACE mm	WATER CONTENT lt	GROSS WEIGHT kg	FUEL OPTIONS E/H/D	PIPES OR SECTIONS	HEAT OUTPUT AT ΔT 50		FINISHES	
	Height mm	Length mm	Depth mm								BTU	Watts	Brushed Matt S	Polished P
SE75	750	550	32	518	75-90	95-110	2.71	8.4	E/H/D	14	1599	468	✓*	✓*
SE76	750	650	32	618	75-90	95-110	3.07	9.5	E/H/D	14	1817	532	✓*	✓*
SE105	1000	550	32	518	75-90	95-110	3.53	10.6	E/H/D	18	2271	665	✓*	✓*
SE135	1300	550	32	518	75-90	95-110	4.53	13.0	E/H/D	22	2439	714	✓*	✓*
SE136	1300	650	32	618	75-90	95-110	4.99	14.6	E/H/D	22	2862	838	✓*	✓*
SE175	1750	550	32	518	75-90	95-110	6.02	17.3	E/H/D	30	3651	1069	✓*	✓*
SE176	1750	650	32	618	75-90	95-110	6.78	19.5	E/H/D	30	4266	1249	✓*	✓*
SE75C	750	550	32	518	75-90	95-110	2.71	8.4	E/H/D	14	1599	468	✓**	
SE76C	750	650	32	618	75-90	95-110	3.07	9.5	E/H/D	14	1817	532	✓**	
SE105C	1000	550	32	518	75-90	95-110	3.53	10.6	E/H/D	18	2271	665	✓**	
SE135C	1300	550	32	518	75-90	95-110	4.53	13.0	E/H/D	22	2439	714	✓**	
SE136C	1300	650	32	618	75-90	95-110	4.99	14.6	E/H/D	22	2862	838	✓**	
SE175C	1750	550	32	518	75-90	95-110	6.02	17.3	E/H/D	30	3651	1069	✓**	
SE176C	1750	650	32	618	75-90	95-110	6.78	19.5	E/H/D	30	4266	1249	✓**	
SE75G	750	550	32	518	75-90	95-110	2.71	8.4	E/H/D	14	1599	468	✓***	
SE76G	750	650	32	618	75-90	95-110	3.07	9.5	E/H/D	14	1817	532	✓***	
SE105G	1000	550	32	518	75-90	95-110	3.53	10.6	E/H/D	18	2271	665	✓***	
SE135G	1300	550	32	518	75-90	95-110	4.53	13.0	E/H/D	22	2439	714	✓***	
SE136G	1300	650	32	618	75-90	95-110	4.99	14.6	E/H/D	22	2862	838	✓***	
SE175G	1750	550	32	518	75-90	95-110	6.02	17.3	E/H/D	30	3651	1069	✓***	
SE176G	1750	650	32	618	75-90	95-110	6.78	19.5	E/H/D	30	4266	1249	✓***	

*All Brushed Matt or Polished

**Brushed Matt with Chrome Trims

***Brushed Matt with Gold Trims

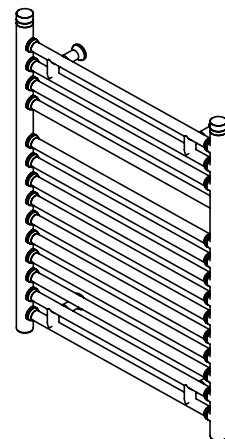


MODEL SHOWN WITH CHROME TRIM



MODEL SHOWN WITH GOLD TRIM

SEREN TECHNICAL DRAWING



Technical specifications are subject to change without prior notice.

Tel: +44 (0)1908 271155 Web: www.aeon.uk.com

SERHAD

Reliable and bold.

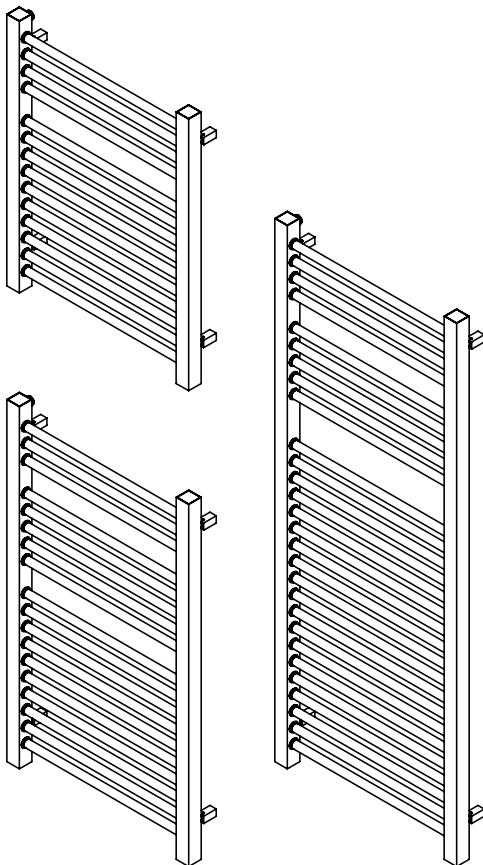
This chic design brings the humble towel rail bang up to date with flair and finesse.

Don't be fooled by its simplicity. This is engineering brilliance.

SS MATERIAL
 S/P FINISH
 10 bar WORKING PRESSURE
 120°C WORKING TEMP.
 □□ OPEN/CLOSED SYSTEM
 ∇ MOUNTING POS.
 20 YEARS WARRANTY

PRODUCT NAME	DIMENSIONS			PIPE CENTRES	WALL TO PIPE CENTRE	WALL TO FACE	WATER CONTENT	GROSS WEIGHT	FUEL OPTIONS	PIPES OR SECTIONS	HEAT OUTPUT AT ΔT 50		FINISH	
	Height mm	Length mm	Depth mm								mm	mm	mm	lt
SRD75	750	580	40	540	75-90	95-110	3.81	8.9	E/H/D	14	1592	466	✓	✓
SRDE76	750	680	40	640	75-90	95-110	4.15	9.9	E/H/D	14	1718	503	✓	✓
SRD105	1000	580	40	540	75-90	95-110	4.93	11.3	E/H/D	18	2036	596	✓	✓
SRD106	1000	680	40	640	75-90	95-110	5.39	12.6	E/H/D	18	2145	628	✓	✓
SRD155	1500	580	40	540	75-90	95-110	7.59	16.9	E/H/D	28	3299	966	✓	✓
SRD156	1500	680	40	640	75-90	95-110	8.30	18.9	E/H/D	28	3392	993	✓	✓

SERHAD TECHNICAL DRAWINGS





We recommend the 3 Bar Safety Valve for all ELECTRIC ONLY (E) products. Dual Fuel is possible either by use of "T" piece and radiator valve or by use of ONE850 or ONE851 (4 way valve)

Serhad is available in brushed matt and polished finishes.

MODEL SHOWN: SRD155-S (Brushed Matt)



We recommend the 3 Bar Safety Valve for all ELECTRIC ONLY (E) products. Dual Fuel is possible either by use of "T" piece and radiator valve or by use of ONE850 or ONE851 (4 way valve)

Serif is available in brushed matt and polished finishes.

MODEL SHOWN: SRF5S12-S (Brushed Matt)

SERIF

Beautiful stainless steel combined with great design credentials.

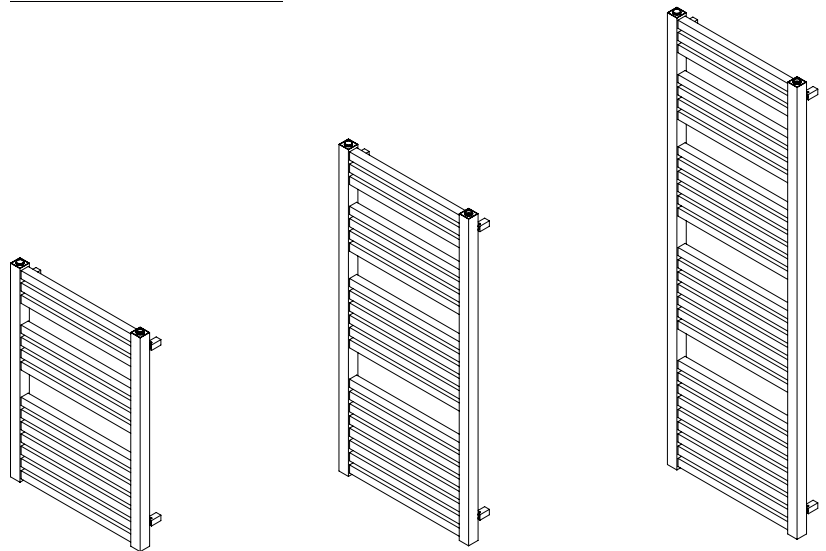
The distinctively architectural feel of this towel rail's chunky rows and dramatic columns give it an enduring, no-nonsense appeal.

SS MATERIAL
 S/P FINISH
 10 bar WORKING PRESSURE
 120 °C WORKING TEMP.
 O/C OPEN/CLOSED SYSTEM
 V MOUNTING POS.
 20 YEARS WARRANTY

PRODUCT NAME	DIMENSIONS			PIPE CENTRES mm	WALL TO PIPE CENTRE mm	WALL TO FACE mm	WATER CONTENT lt	GROSS WEIGHT kg	FUEL OPTIONS E/H/D	PIPES OR SECTIONS	HEAT OUTPUT AT ΔT 50		FINISH	
	Height mm	Length mm	Depth mm								BTU	Watts	Brushed Matt S	Polished P
SRF558	785	550	40	510	75-90	95-110	7.18	13.7	E/H/D	14	1289	378	✓	✓
SRF5512	1200	550	40	510	75-90	95-110	10.84	20.3	E/H/D	21	1933	567	✓	✓
SRF5517	1660	550	40	510	75-90	95-110	14.98	27.3	E/H/D	29	2670	783	✓	✓



SERIF TECHNICAL DRAWINGS



ACHIEVE A FUNCTIONAL AND SLEEK VIBE

SIESTA

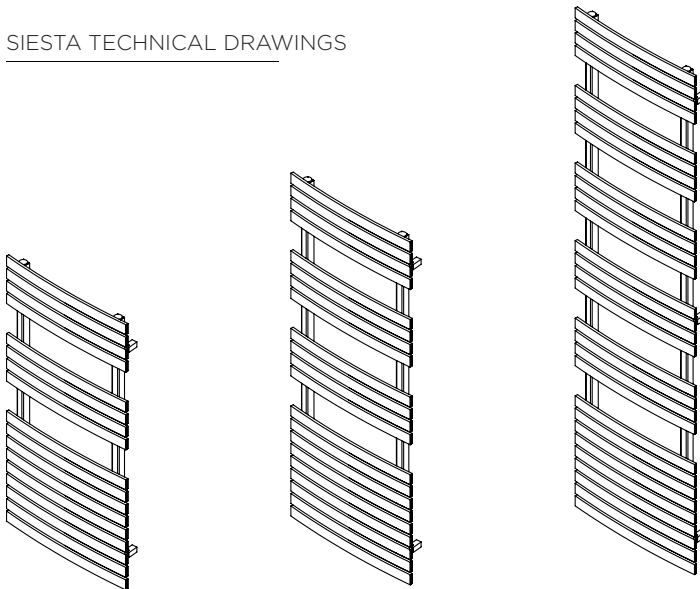
Consider the restorative powers of a well-timed nap.
Imagine snoozing, wrapped up in a bathrobe, warmed by the smooth panels of this high-performance towel rail. Bliss.

SS MATERIAL
 S/P FINISH
 10bar WORKING PRESSURE
 120°C WORKING TEMP.
 OC OPEN/CLOSED SYSTEM
 V MOUNTING POS.
 20 YEARS WARRANTY

PRODUCT NAME	DIMENSIONS			PIPE CENTRES	WALL TO PIPE CENTRE	WALL TO FACE	WATER CONTENT	GROSS WEIGHT	FUEL OPTIONS	PIPES OR SECTIONS	HEAT OUTPUT AT ΔT 50		FINISH	
	Height mm	Length mm	Depth mm								mm	mm	mm	lt
SIE510-17	1060	550	50	440	45-60	80-95	4.36	21.3	E/H/D	17	2469	724	✓	✓
SIE514-21	1370	550	50	440	45-60	80-95	5.73	26.6	E/H/D	21	3076	902	✓	✓
SIE520-29	1990	550	50	440	45-60	80-95	8.07	37.2	E/H/D	29	4245	1245	✓	✓

LADDER-STYLE STRUCTURE OF BLENDING BOWED BARS

SIESTA TECHNICAL DRAWINGS

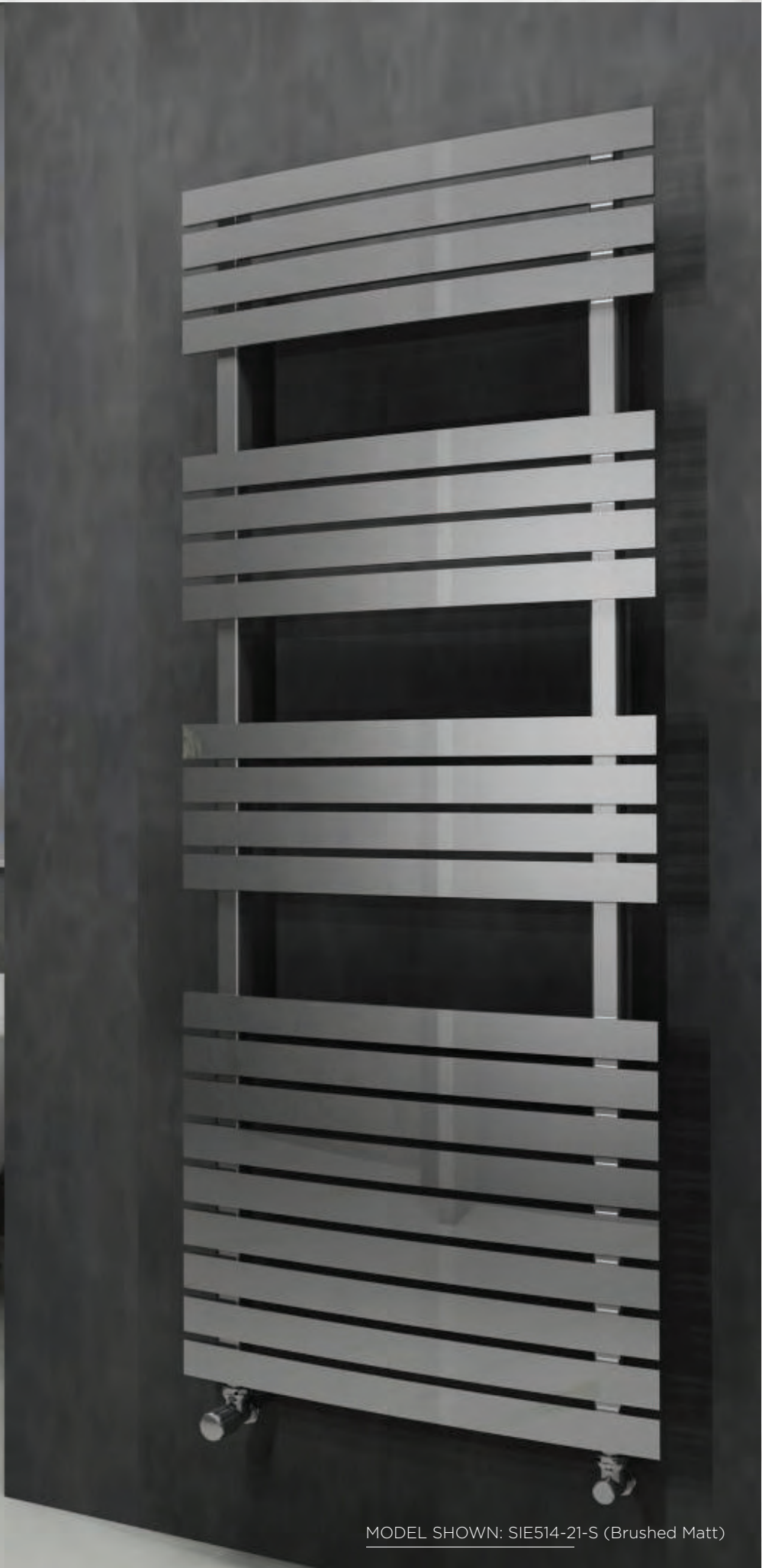


We recommend the 3 Bar Safety Valve for all ELECTRIC ONLY (E) products. Dual Fuel is possible either by use of "T" piece and radiator valve or by use of ONE850 or ONE851 (4 way valve)

Siesta is available in brushed matt and polished finishes.



MODEL SHOWN: SIE520-29-S (Brushed Matt)



MODEL SHOWN: SIE514-21-S (Brushed Matt)



We recommend the 3 Bar Safety Valve for all ELECTRIC ONLY (E) products. Dual Fuel is possible either by use of "T" piece and radiator valve or by use of ONE850 or ONE851 (4 way valve)

STILE FULLY ELECTRIC:

A 3 Bar Safety Valve (3BV) is provided with this product, which the customer should install once the towel rail is secured to the wall.

Stile is available in a multitude of finishes.

Stile finishes explained:

- GS: Gold Brushed Matt Plated
- ABS: Antique Bronze Brushed Matt Plated
- CUS: Copper Brushed Matt Plated
- GP: Gold Polished Plated
- ABP: Antique Bronze Polished Plated
- CUP: Copper Polished Plated

MODEL SHOWN: ST512-7-ABS (Antique Bronze Brushed Matt Plated)

FULLY ELECTRIC READY

Options available

STILE

The attractive, chunky rectangular bars make Stile a great all-rounder. Perfect for his and hers bathrooms, the sleek wide rung spacing allows plenty of space for towels. A modern twist on the classic ladder design, this radiator can be mounted from the left or right hand side to suit you.

- SS MATERIAL
- S P H FINISH
- 8.5 WORKING PRESSURE
- 95 °C WORKING TEMP.
- C OPEN/CLOSED SYSTEM
- V MOUNTING POS.
- 20 YEARS WARRANTY

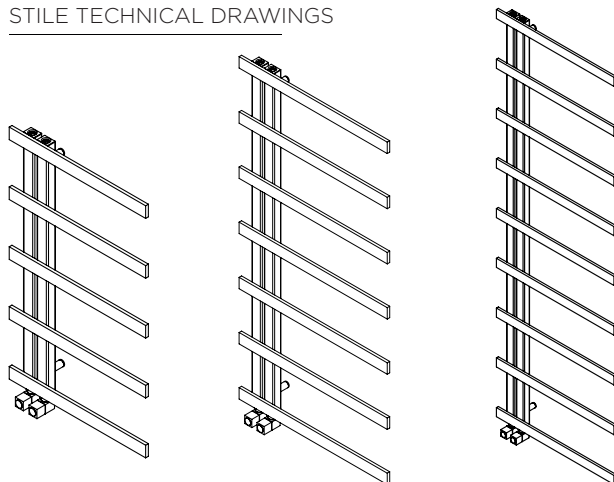
PRODUCT NAME	DIMENSIONS			PIPE CENTRES	WALL TO PIPE CENTRE	WALL TO FACE	WATER CONTENT	GROSS WEIGHT	FUEL OPTIONS	TOWEL GAPS	PIPES OR SECTIONS	HEAT OUTPUT AT ΔT 50		FINISHES			
	Height mm	Length mm	Depth mm									mm	mm	mm	lit	kg	E/H/D
ST508-5	800	500	40	50	60-75	85-100	1.8	6.7	E/H/D	4	5	717	210	✓	✓	✓	✓
ST512-7	1200	500	40	50	60-75	85-100	2.7	9.4	E/H/D	6	7	1038	304	✓	✓	✓	✓
ST518-9	1800	500	40	50	60-75	85-100	3.8	12.8	E/H/D	8	9	1435	420	✓	✓		

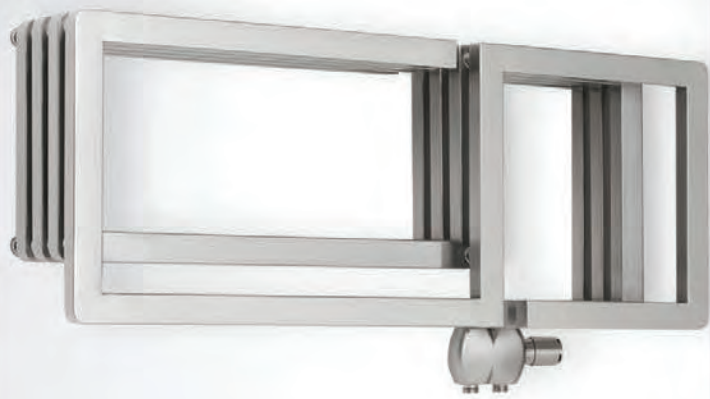
Fully Electric Ready

- SS MATERIAL
- S P H FINISH
- V MOUNTING POS.
- 12 MONTHS WARRANTY

PRODUCT NAME	DIMENSIONS			WALL TO FACE	GROSS WEIGHT	ELECTRIC POWER	PIPES OR SECTIONS	FINISHES			
	Height mm	Length mm	Depth mm					mm	kg	Watts	Brushed Matt S
ST5085-HE150	800	500	40	80-95	7.60	150	5	✓	✓	✓	✓
ST5127-HE200	1200	500	40	80-95	11.05	200	7	✓	✓	✓	✓
ST5189-HE300	1800	500	40	80-95	15.25	300	9	✓	✓		

STILE TECHNICAL DRAWINGS





We recommend the 3 Bar Safety Valve for all ELECTRIC ONLY (E) products.

S-Type is available in brushed matt and polished finishes.

MODEL SHOWN: STY100-S (Brushed Matt)

S-TYPE

More than meets the eye.

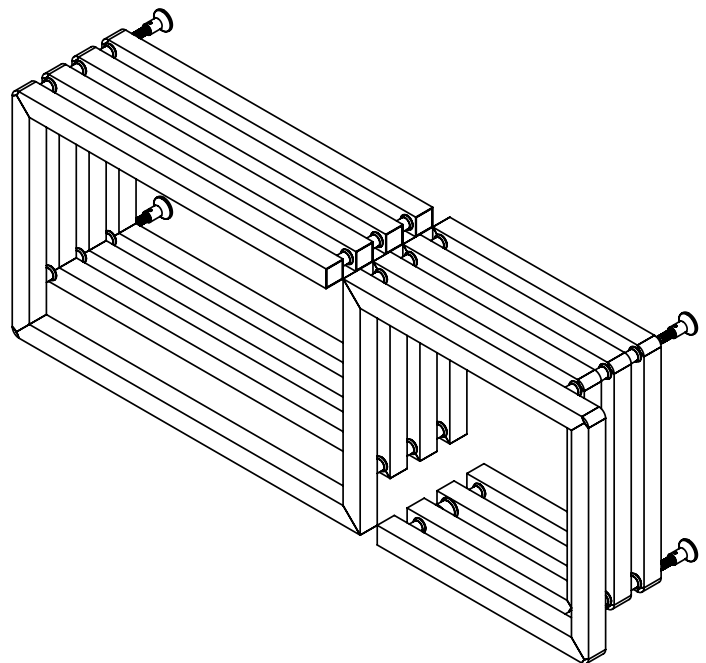
Not only can this fabulous design hang vertically or horizontally to heat your bathroom, it is also a highly practical towel rail and airing shelf.

SS MATERIAL
 SP FINISH
 10 WORKING PRESSURE
 120 C WORKING TEMP.
 OC OPEN/CLOSED SYSTEM
 VH MOUNTING POS.
 20 YEARS WARRANTY

PRODUCT NAME	DIMENSIONS			PIPE CENTRES mm	WALL TO PIPE CENTRE mm	WALL TO FACE mm	WATER CONTENT lt	GROSS WEIGHT kg	FUEL OPTIONS E/H/D	PIPES OR SECTIONS 28	HEAT OUTPUT AT ΔT 50		FINISHES	
	Height mm	Length mm	Depth mm								BTU	Watts	Brushed Matt S	Polished P
STY100	400	1000	250	50	75-90	305-320	14.42	27.7	E/H	28	3093	907	✓	✓
STY130	500	1350	250	50	75-90	305-320	19.90	38.3	E/H	28	3819	1120	✓	✓



S-TYPE TECHNICAL DRAWING





Tempest is available in brushed matt and polished finishes.

MODEL SHOWN: TMP105-S (Brushed Matt)



TEMPEST

Bringing order to the chaos.

Reassuringly strong, smooth steels bars are lain in triplicate, bringing warmth and serenity to any bathroom.

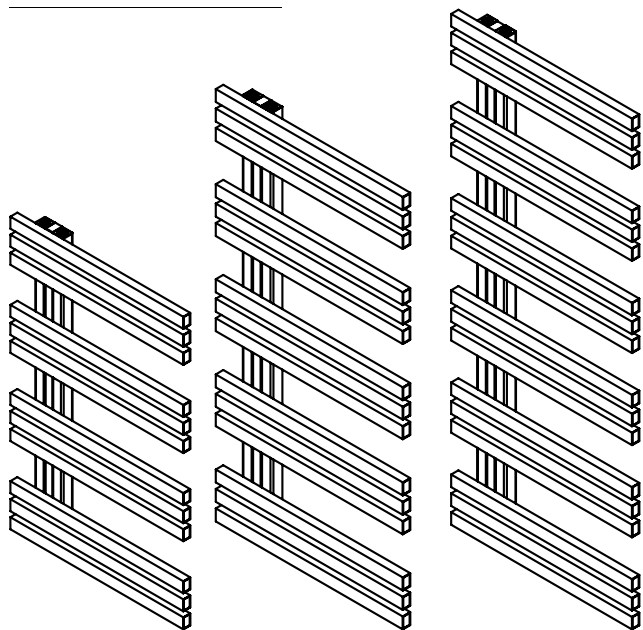
SS MATERIAL
 S/P FINISH
 10bar WORKING PRESSURE
 120°C WORKING TEMP.
 0/C OPEN/CLOSED SYSTEM
 V MOUNTING POS.
 20 YEARS WARRANTY

PRODUCT NAME	DIMENSIONS			PIPE CENTRES mm	WALL TO PIPE CENTRE mm	WALL TO FACE mm	WATER CONTENT lt	GROSS WEIGHT kg	FUEL OPTIONS E/H/D	PIPES OR SECTIONS	HEAT OUTPUT AT ΔT 50		FINISHES	
	Height mm	Length mm	Depth mm								BTU	Watts	Brushed Matt S	Polished P
TMP805	780	500	60	50	25-45	65-80	3.9	12.2	E/H/D	12	1441	422	✓	✓
TMP105	1000	500	60	50	25-45	65-80	4.9	15.3	E/H/D	15	1810	530	✓	✓
TMP125	1220	500	60	50	25-45	65-80	5.8	18.4	E/H/D	18	2183	639	✓	✓



QUALITY SQUARE TUBING AND OPEN-ENDED RAILS

TEMPEST TECHNICAL DRAWINGS





We recommend the 3 Bar Safety Valve for all ELECTRIC ONLY (E) products. Dual Fuel is possible either by use of "T" piece and radiator valve or by use of ONE850 or ONE851 (4 way valve)

Tora Classic and Tora Mitred is available in brushed matt and polished finishes.

MODEL SHOWN: TOR510-3-S (Brushed Matt)



MODEL SHOWN: TOR514-10M (Polished)

TORA

Find timeless, classic beauty in the simple stainless steel rows and columns of this generously proportioned towel rail. Guaranteed to make any room a better place to be.

TORA Classic

SS MATERIAL
 S/P FINISH
 10 bar WORKING PRESSURE
 120 °C WORKING TEMP.
 O/C OPEN/CLOSED SYSTEM
 V MOUNTING POS.
 20 YEARS WARRANTY

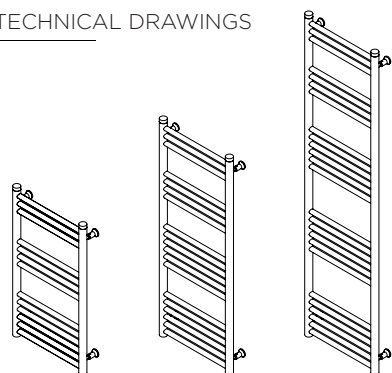
PRODUCT NAME	DIMENSIONS			PIPE CENTRES mm	WALL TO PIPE CENTRE mm	WALL TO FACE mm	WATER CONTENT lt	GROSS WEIGHT kg	FUEL OPTIONS E/H/D	PIPES OR SECTIONS	HEAT OUTPUT AT ΔT 50		RETAIL PRICE £	
	Height mm	Length mm	Depth mm								BTU	Watts	Brushed Matt S	Polished P
TOR407-2	718	400	32	368	70-85	85-100	2.08	8.5	E/H/D	13	1001	293	✓	✓
TOR410-3	1044	400	32	368	70-85	85-100	3.04	9.8	E/H/D	19	1462	428	✓	✓
TOR415-4	1550	400	32	368	70-85	85-100	4.05	13.1	E/H/D	25	1926	564	✓	✓
TOR507-2	718	500	32	468	70-85	85-100	2.70	10.0	E/H/D	13	1250	366	✓	✓
TOR510-3	1044	500	32	468	70-85	85-100	3.95	11.5	E/H/D	19	1827	535	✓	✓
TOR515-4	1550	500	32	468	70-85	85-100	5.27	15.4	E/H/D	25	2408	705	✓	✓

TORA Mitred

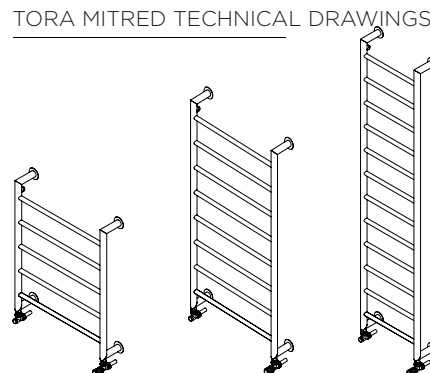
SS MATERIAL
 S/P FINISH
 10 bar WORKING PRESSURE
 120 °C WORKING TEMP.
 O/C OPEN/CLOSED SYSTEM
 V MOUNTING POS.
 20 YEARS WARRANTY

PRODUCT NAME	DIMENSIONS			PIPE CENTRES mm	WALL TO PIPE CENTRE mm	WALL TO FACE mm	WATER CONTENT lt	GROSS WEIGHT kg	FUEL OPTIONS E/H/D	PIPES OR SECTIONS	HEAT OUTPUT AT ΔT 50		RETAIL PRICE £	
	Height mm	Length mm	Depth mm								BTU	Watts	Brushed Matt S	Polished P
TOR407-5M	752	400	120	368	100	120	1.5	4.8	E/H/D	5	499	146	✓	✓
TOR410-7M	1032	400	120	368	100	120	2.1	6.7	E/H/D	7	663	194	✓	✓
TOR411-8M	1172	400	120	368	100	120	2.4	7.7	E/H/D	8	741	217	✓	✓
TOR414-10M	1452	400	120	368	100	120	3.0	9.6	E/H/D	10	1049	307	✓	✓
TOR417-12M	1732	400	120	368	100	120	3.6	11.5	E/H/D	12	1240	363	✓	✓
TOR507-5M	752	500	120	468	100	120	1.8	5.6	E/H/D	5	625	183	✓	✓
TOR510-7M	1032	500	120	468	100	120	2.5	7.9	E/H/D	7	830	243	✓	✓
TOR511-8M	1172	500	120	468	100	120	2.8	9.0	E/H/D	8	926	271	✓	✓
TOR514-10M	1452	500	120	468	100	120	3.5	11.3	E/H/D	10	1131	331	✓	✓
TOR517-12M	1732	500	120	468	100	120	4.2	13.5	E/H/D	12	1335	391	✓	✓
TOR607-5M	752	600	120	568	100	120	2.0	6.4	E/H/D	5	748	219	✓	✓
TOR610-7M	1032	600	120	568	100	120	2.8	9.0	E/H/D	7	994	291	✓	✓
TOR611-8M	1172	600	120	568	100	120	3.2	10.3	E/H/D	8	1113	326	✓	✓
TOR614-10M	1452	600	120	568	100	120	4.0	12.9	E/H/D	10	1575	461	✓	✓
TOR617-12M	1732	600	120	568	100	120	4.8	15.4	E/H/D	12	1862	545	✓	✓

TORA CLASSIC TECHNICAL DRAWINGS



TORA MITRED TECHNICAL DRAWINGS



Technical specifications are subject to change without prior notice.

Tel: +44 (0)1908 271155 Web: www.aeon.uk.com



We recommend the 3 Bar Safety Valve for all ELECTRIC ONLY (E) products. Dual Fuel is possible either by use of "T" piece and radiator valve or by use of ONE850 or ONE851 (4 way valve)

Trogon is available in brushed matt and polished finishes.

MODEL SHOWN: TR1450-P (Polished)

TROGON

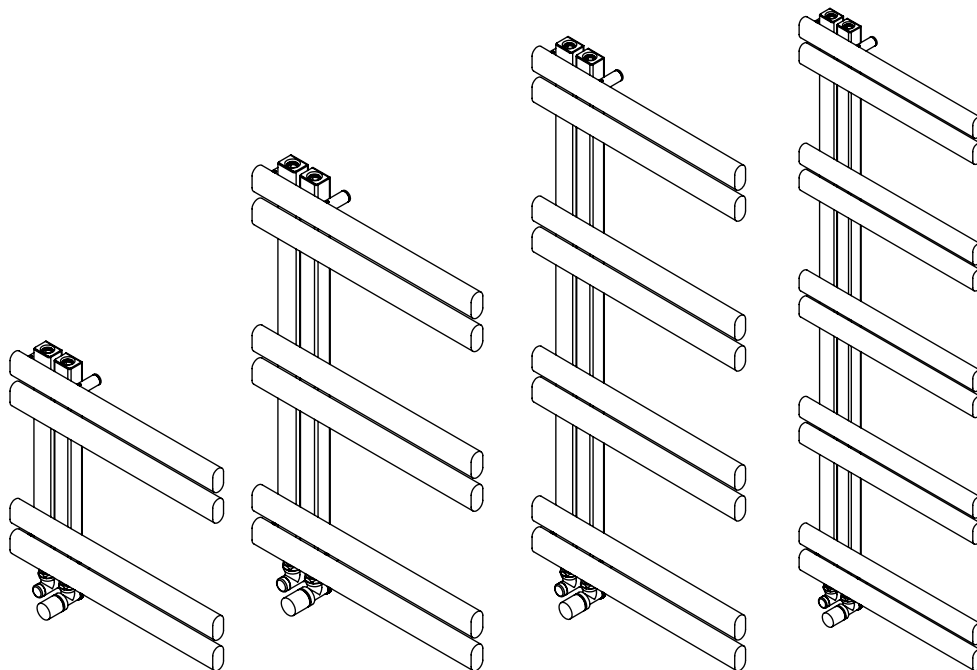
Keeping interiors warm and stylish, Trogon is a simple yet elegant compliment to any room. AEON's superior manufacturing techniques ensure the highest quality finish in a brushed or polished clean look.

SS MATERIAL
 SP FINISH
 8.3 WORKING PRESSURE
 120 °C WORKING TEMP.
 OC OPEN/CLOSED SYSTEM
 V MOUNTING POS.
 20 YEARS WARRANTY

PRODUCT NAME	DIMENSIONS			PIPE CENTRES mm	WALL TO PIPE CENTRE mm	WALL TO FACE mm	WATER CONTENT lit	GROSS WEIGHT kg	FUEL OPTIONS E/H/D	PIPES OR SECTIONS	HEAT OUTPUT AT ΔT 50		FINISHES	
	Height mm	Length mm	Depth mm								BTU	Watts	Brushed Matt S	Polished P
TRO550	460	500	55	50	35-50	80-95	3.13	5.9	E/H/D	4	638	187	✓	✓
TRO850	775	500	55	50	35-50	80-95	4.86	9.4	E/H/D	6	995	292	✓	✓
TRI050	1090	500	55	50	35-50	80-95	6.59	12.8	E/H/D	8	1351	396	✓	✓
TRI450	1405	500	55	50	35-50	80-95	8.33	16.2	E/H/D	10	1708	501	✓	✓
TRI750	1720	500	55	50	35-50	80-95	10.06	19.6	E/H/D	12	2065	605	✓	✓

CANTILEVERED RAILS LOOK FABULOUS IN CONTEMPORARY INTERIORS

TROGON TECHNICAL DRAWINGS





We recommend the 3 Bar Safety Valve for all ELECTRIC ONLY (E) products. Dual Fuel is possible either by use of "T" piece and radiator valve or by use of ONE850 or ONE851 (4 way valve)

Tubo is available in brushed matt and polished finishes.

MODEL SHOWN: TUB508-S (Brushed Matt)

TUBO

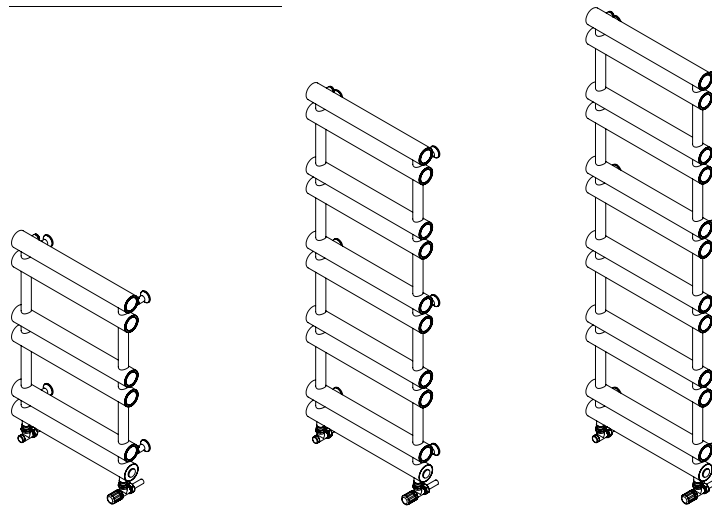
Tempted to play a tune?

This fun combination of wide tubular rows connected to two slim columns is sure to please, and is versatile enough to suit any style of bathroom.

SS MATERIAL
 S/P FINISH
 10bar WORKING PRESSURE
 120°C WORKING TEMP.
 O/C OPEN/CLOSED SYSTEM
 V MOUNTING POS.
 20 YEARS WARRANTY

PRODUCT NAME	DIMENSIONS			PIPE CENTRES mm	WALL TO PIPE CENTRE mm	WALL TO FACE mm	WATER CONTENT lt	GROSS WEIGHT kg	FUEL OPTIONS E/H/D	PIPES OR SECTIONS	HEAT OUTPUT AT ΔT 50		FINISHES	
	Height mm	Length mm	Depth mm								BTU	Watts	Brushed Matt S	Polished P
TUB506	705	500	60	430	70-85	100-115	3.57	16.0	E/H/D	12	1496	438	✓	✓
TUB508	990	500	60	430	70-85	100-115	4.52	21.5	E/H/D	16	1994	584	✓	✓
TUB510	1275	500	60	430	70-85	100-115	5.47	27.1	E/H/D	20	2493	730	✓	✓
TUB512	1560	500	60	430	70-85	100-115	6.42	32.6	E/H/D	24	2992	876	✓	✓

TUBO TECHNICAL DRAWINGS



We recommend the 3 Bar Safety Valve for all ELECTRIC ONLY (E) products. Dual Fuel is possible either by use of "T" piece and radiator valve or by use of ONE850 or ONE851 (4 way valve)

Tudor is available in brushed matt and polished finishes.

MODEL SHOWN: TDR412-P (Polished)



TUDOR

Quality fit for a King.

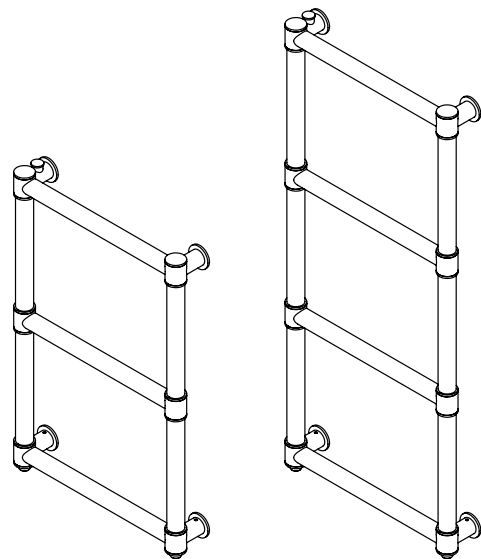
This towel rail looks simple, but it has been carefully designed for maximum heating performance and capacity. Just don't lose your head deciding where to put it.

SS MATERIAL
 S/P FINISH
 10bar WORKING PRESSURE
 120°C WORKING TEMP.
 CC OPEN/CLOSED SYSTEM
 V MOUNTING POS.
 20 YEARS WARRANTY

PRODUCT NAME	DIMENSIONS			PIPE CENTRES mm	WALL TO PIPE CENTRE mm	WALL TO FACE mm	WATER CONTENT lt	GROSS WEIGHT kg	FUEL OPTIONS E/H/D	PIPES OR SECTIONS	HEAT OUTPUT AT ΔT 50		FINISHES	
	Height mm	Length mm	Depth mm								BTU	Watts	Brushed Matt S	Polished P
TDR408	800	420	100	370	75-85	100-110	3.07	9.9	E/H/D	3	642	188	✓	✓
TDR412	1200	420	100	370	75-85	100-110	4.46	13.4	E/H/D	4	857	251	✓	✓
TDR508	800	520	100	470	75-85	100-110	3.39	11.0	E/H/D	3	693	203	✓	✓
TDR512	1200	520	100	470	75-85	100-110	4.89	15.0	E/H/D	4	926	271	✓	✓
TDR608	800	620	100	570	75-85	100-110	3.72	12.3	E/H/D	3	748	219	✓	✓
TDR612	1200	620	100	570	75-85	100-110	5.32	16.7	E/H/D	4	1001	293	✓	✓
CCKTDR	Cable Conceal Kit for electric installation											✓	✓	



TUDOR TECHNICAL DRAWINGS



FULLY ELECTRIC READY

Options available

VERA

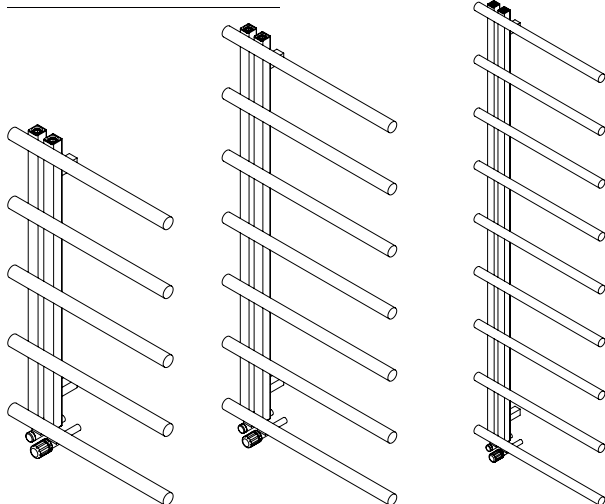
Featuring an asymmetrical design, Vera has stunning thick rails and good spacing for keeping towels and clothes nice and warm. Made out of luxurious stainless steel, Vera gives you the freedom of a stand-alone heating unit.

PRODUCT NAME	DIMENSIONS			PIPE CENTRES	WALL TO PIPE CENTRE	WALL TO FACE	WATER CONTENT	GROSS WEIGHT	FUEL OPTIONS	TOWEL GAPS	PIPES OR SECTIONS	HEAT OUTPUT AT ΔT 50		FINISHES			
	Height mm	Length mm	Depth mm									mm	mm	mm	lit	kg	E/H/D
VR508-5	800	500	62	50	65-75	115-125	2.8	6.2	E/H/D	4	5	717	210	✓	✓	✓	✓
VR512-7	1200	500	62	50	65-75	115-125	4.0	8.6	E/H/D	6	7	1038	304	✓	✓	✓	✓
VR518-9	1800	500	62	50	65-75	115-125	5.6	11.8	E/H/D	8	9	1435	420	✓	✓		

Fully Electric Ready

PRODUCT NAME	DIMENSIONS			WALL TO FACE	GROSS WEIGHT	ELECTRIC POWER	PIPES OR SECTIONS	FINISHES			
	Height mm	Length mm	Depth mm					mm	kg	Watts	Brushed Matt S
VR5085-HE150	800	500	62	115-125	8.10	150	5	✓	✓	✓	✓
VR5127-HE300	1200	500	62	115-125	11.55	300	7	✓	✓	✓	✓
VR5189-HE400	1800	500	62	115-125	16.05	400	9	✓	✓		

VERA TECHNICAL DRAWINGS



MODEL SHOWN: VR508-5-GP (Gold Polished Plated)



We recommend the 3 Bar Safety Valve for all ELECTRIC ONLY (E) products. Dual Fuel is possible either by use of "T" piece and radiator valve or by use of ONE850 or ONE851 (4 way valve)

VERA FULLY ELECTRIC:
A 3 Bar Safety Valve (3BV) is provided with this product, which the customer should install once the towel rail is secured to the wall.

Vera is available in a multitude of finishes. Vera finishes explained:

- GS: Gold Brushed Matt Plated
- ABS: Antique Bronze Brushed Matt Plated
- CUS: Copper Brushed Matt Plated
- GP: Gold Polished Plated
- ABP: Antique Bronze Polished Plated
- CUP: Copper Polished Plated

MODEL SHOWN: VR512-7-S (Brushed Matt)



We recommend the 3 Bar Safety Valve for all ELECTRIC ONLY (E) products. Dual Fuel is possible either by use of "T" piece and radiator valve or by use of ONE850 or ONE851 (4 way valve)

Windsor is available in brushed matt and polished finishes.

MODEL SHOWN: WIN5W11-S (Brushed Matt)

WINDSOR

It's all about the detail in this exquisitely finished towel rail.
And you don't have to be royalty to appreciate the warm, fluffy towels it produces
at your merest command.

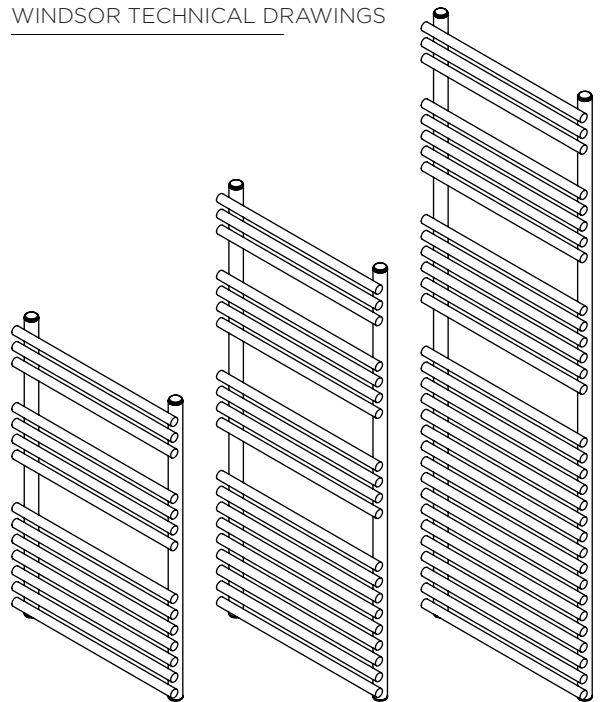
SS MATERIAL
 SP FINISH
 8bar WORKING PRESSURE
 120°C WORKING TEMP.
 OC OPEN/CLOSED SYSTEM
 V MOUNTING POS.
 20 YEARS WARRANTY

PRODUCT NAME	DIMENSIONS			PIPE CENTRES	WALL TO PIPE CENTRE	WALL TO FACE	WATER CONTENT	GROSS WEIGHT	FUEL OPTIONS	PIPES OR SECTIONS	HEAT OUTPUT AT ΔT 50		FINISHES	
	Height mm	Length mm	Depth mm								BTU	Watts	Brushed Matt S	Polished P
WIN5W8	798	500	50	448	40-50	80-90	3.54	7.5	E/H/D	14	1288	377	✓	✓
WIN5W11	1150	500	50	448	40-50	80-90	5.08	10.5	E/H/D	20	1837	538	✓	✓
WIN5W16	1612	500	50	448	40-50	80-90	7.57	15.5	E/H/D	31	2705	792	✓	✓
WINE (pair)	Air vent cap (Pair)							0.1					✓	✓



MODEL SHOWN IN POLISHED FINISH

WINDSOR TECHNICAL DRAWINGS





We recommend the 3 Bar Safety Valve for all ELECTRIC ONLY (E) products. Dual Fuel is possible either by use of "T" piece and radiator valve or by use of ONE850 or ONE851 (4 way valve)

Zenith is available in brushed matt and polished finishes.

MODEL SHOWN: ZEN105-S (Brushed Matt)

ZENITH

Climb to the summit of bathroom design.

Gently warming your towels to keep out the chill, this heavenly radiator is simply designed and superbly engineered.

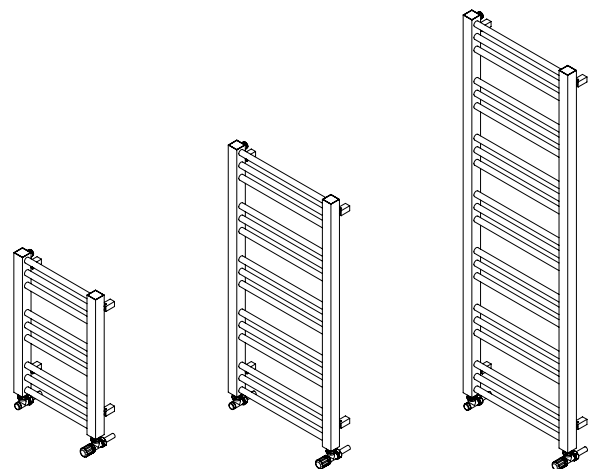
SS MATERIAL
 S/P FINISH
 10 WORKING PRESSURE
 120 °C WORKING TEMP.
 O/C OPEN/CLOSED SYSTEM
 V MOUNTING POS.
 20 YEARS WARRANTY

PRODUCT NAME	DIMENSIONS			PIPE CENTRES	WALL TO PIPE CENTRE	WALL TO FACE	WATER CONTENT	GROSS WEIGHT	FUEL OPTIONS	PIPES OR SECTIONS	HEAT OUTPUT AT ΔT 50		FINISHES	
	Height mm	Length mm	Depth mm								BTU	Watts	Brushed Matt S	Polished P
ZEN64	560	380	40	340	75-90	95-110	2.23	5.0	E/H/D	9	502	147	✓	✓
ZEN104	1000	380	40	340	75-90	95-110	3.72	8.40	E/H/D	15	837	245	✓	✓
ZEN124	1200	380	40	340	75-90	95-110	4.46	10.08	E/H/D	18	1004	294	✓	✓
ZEN154	1500	380	40	340	75-90	95-110	5.20	11.75	E/H/D	21	1171	343	✓	✓
ZEN65	560	480	40	440	75-90	95-110	2.58	5.53	E/H/D	9	611	179	✓	✓
ZEN105	1000	480	40	440	75-90	95-110	4.30	9.2	E/H/D	15	1018	298	✓	✓
ZEN125	1200	480	40	440	75-90	95-110	5.16	11.07	E/H/D	18	1223	358	✓	✓
ZEN155	1500	480	40	440	75-90	95-110	6.02	12.91	E/H/D	21	1424	417	✓	✓

A STYLISH MIX OF ROUND AND SQUARE TUBES



ZENITH TECHNICAL DRAWINGS





TOWER



ALIEN	98	STANZA	104
ECSTASY	100	TRUVA	106
SPERIA	102		

20
YEARS WARRANTY



Alien is available in brushed matt and polished finishes.

MODEL SHOWN: AL20-S (Brushed Matt)

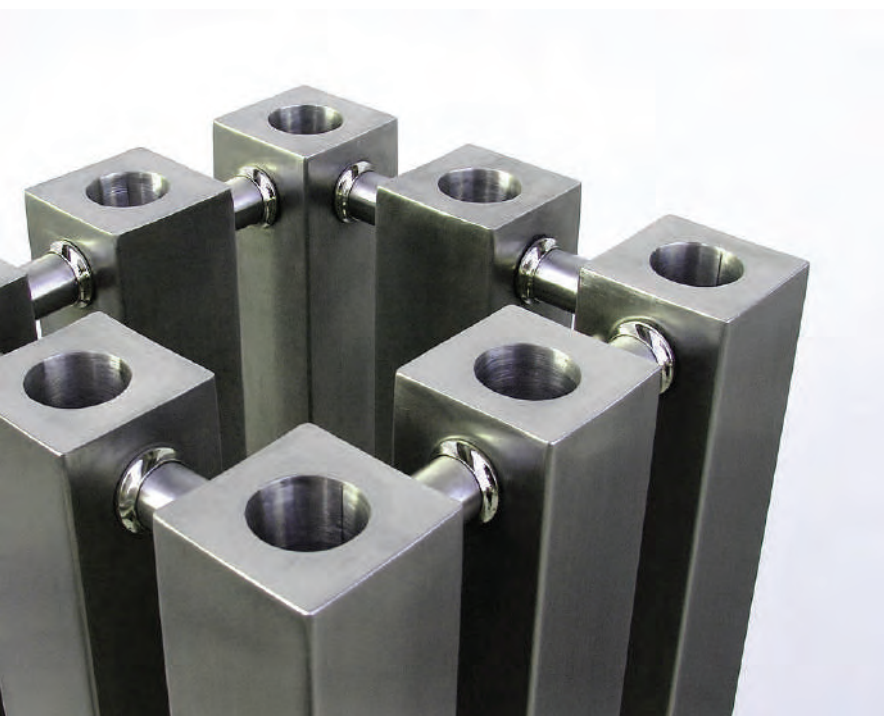
ALIEN

Other-worldly appeal.

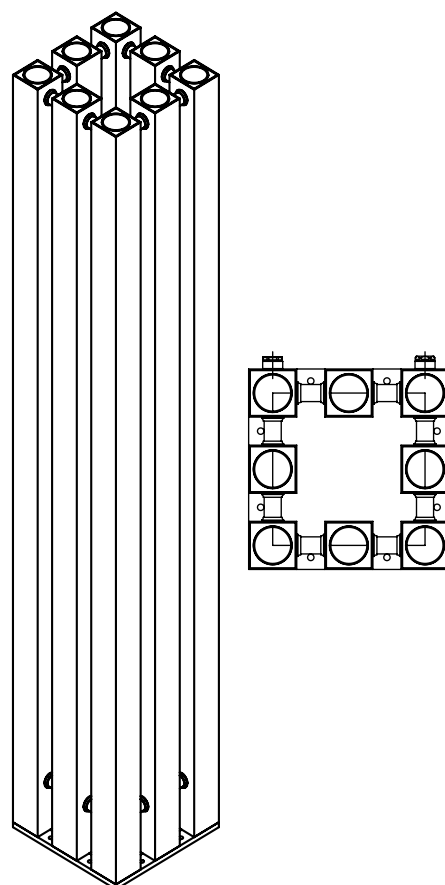
This bold radiator stands tall with its narrow square columns and smooth satin finish. They'll be talking about this innovative design across the galaxy and beyond.

SS MATERIAL
 S/P FINISH
 6bar WORKING PRESSURE
 120 °C WORKING TEMP.
 O/C OPEN/CLOSED SYSTEM
 FS MOUNTING POS.
 20 YEARS WARRANTY

PRODUCT NAME	DIMENSIONS			PIPE CENTRES	WALL TO PIPE CENTRE	WALL TO FACE	WATER CONTENT	GROSS WEIGHT	FUEL OPTIONS	PIPES OR SECTIONS	HEAT OUTPUT AT ΔT 50		FINISHES	
	Height mm	Length mm	Depth mm								mm	mm	mm	lt
AL15	1510	250	250	190	FS	FS	27.34	76.5	H	16	8202	2401	✓	✓
AL18	1810	250	250	190	FS	FS	32.83	91.1	H	16	9430	2761	✓	✓
AL20	2010	250	250	190	FS	FS	36.49	100.7	H	16	10917	3196	✓	✓



ALIEN TECHNICAL DRAWINGS



STURDY UPRIGHT COLUMNS FORMING A STRUTTED CUBOID



We recommend the 3 Bar Safety Valve for all ELECTRIC ONLY (E) products.

Ecstasy is available in a brushed matt finish.

MODEL SHOWN: ECS50-S (Brushed Matt)

ECSTASY

Spiralling perfection.

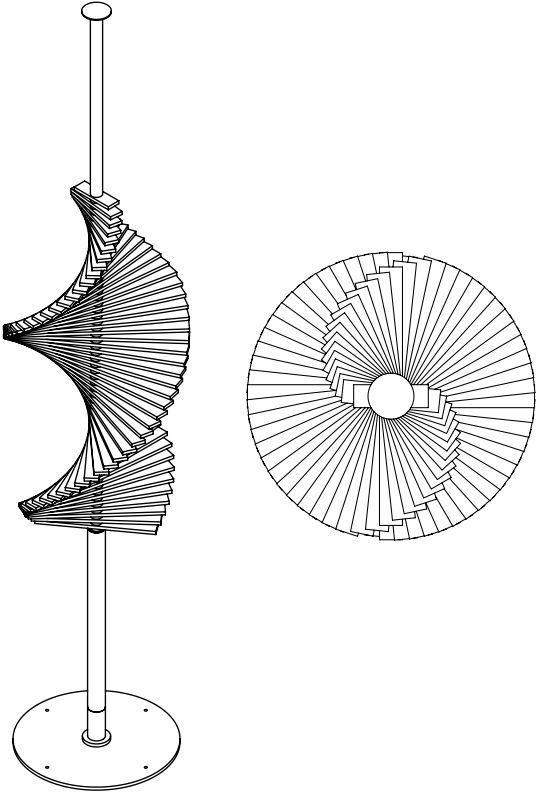
Who would guess this ultra-modern sculpture is also a powerful heat source? This work of art will stop you in your tracks with its inspired design and brilliant technology.

SS MATERIAL
 S FINISH
 6bar WORKING PRESSURE
 95 °C WORKING TEMP.
 OC OPEN/CLOSED SYSTEM
 FS MOUNTING POS.
 20 YEARS WARRANTY

PRODUCT NAME	DIMENSIONS			WALL TO PIPE CENTRE	WALL TO FACE	WATER CONTENT	GROSS WEIGHT	FUEL OPTIONS	PIPES OR SECTIONS	HEAT OUTPUT AT ΔT 50		FINISHES
	Height mm	Length mm	Depth mm							mm	mm	
ECS50	2200-3000	500	500	FS	FS	6.38	71.8	E	45	12358	3618	Brushed Matt S ✓



ECSTASY TECHNICAL DRAWINGS



Technical specifications are subject to change without prior notice.



Speira is available in a brushed matt finish.

MODEL SHOWN: SPR120-S (Brushed Matt)

SPEIRA

Time to turn up the heat.

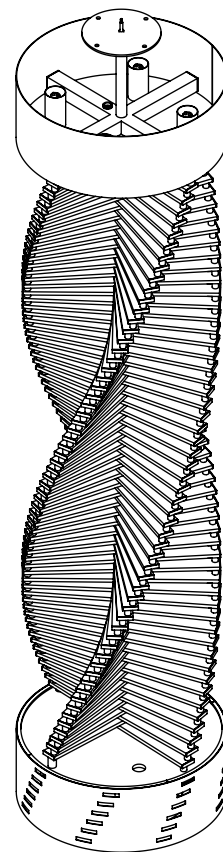
This stunning sculptural light and heat installation is so much more than a radiator. Its spiral glamour exudes impact, drama and class. Once seen, never forgotten.

SS MATERIAL
 S FINISH
  WORKING PRESSURE
 120°C WORKING TEMP.
 0/C OPEN/CLOSED SYSTEM
 FS MOUNTING POS.
 20 YEARS WARRANTY

PRODUCT NAME	DIMENSIONS			PIPE CENTRES	WALL TO PIPE CENTRE	WALL TO FACE	WATER CONTENT	GROSS WEIGHT	FUEL OPTIONS	PIPES OR SECTIONS	HEAT OUTPUT AT ΔT 50		FINISH
	Height mm	Length mm	Depth mm								mm	mm	
SPR120	2400 - 2750	510	510	50	FS	FS	26.90	198.6	H	120	20453	5998	✓
SPR66	2400 - 2750	510	510	50	FS	FS	25.70	152.5	H	66	16652	4876	✓



SPEIRA TECHNICAL DRAWING





We recommend the 3 Bar Safety Valve for all ELECTRIC ONLY (E) products. Dual Fuel is possible either by use of "T" piece and radiator valve or by use of ONE850 or ONE851 (4 way valve)

Stanza is available in brushed matt and polished finishes.

MODEL SHOWN: STA15-S (Brushed Matt)

STANZA

Hitting all the right notes.

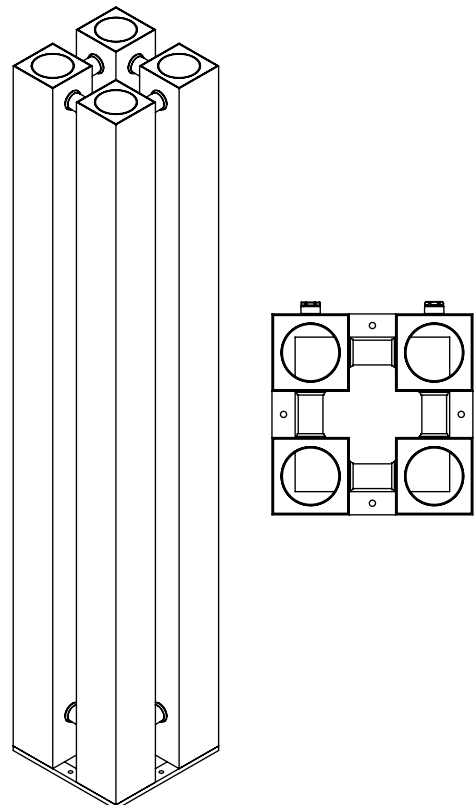
This trendy design is perfect for lofty spaces with its striking appearance and powerful heat delivery. The perfect way to keep warm without losing your cool.

SS MATERIAL
 SP FINISH
 6 bar WORKING PRESSURE
 120 °C WORKING TEMP.
 OC OPEN/CLOSED SYSTEM
 FS MOUNTING POS.
 20 YEARS WARRANTY

PRODUCT NAME	DIMENSIONS			PIPE CENTRES	WALL TO PIPE CENTRE	WALL TO FACE	WATER CONTENT	GROSS WEIGHT	FUEL OPTIONS	PIPES OR SECTIONS	HEAT OUTPUT AT ΔT 50		FINISHES	
	Height mm	Length mm	Depth mm								mm	mm	mm	lt
STA15	1510	260	260	160	FS	FS	29.13	66.3	E/H/D	8	6662	1950	✓	✓
STA18	1810	260	260	160	FS	FS	34.98	78.7	E/H/D	8	7994	2340	✓	✓
STA20	2010	260	260	160	FS	FS	38.88	86.7	E/H/D	8	8883	2601	✓	✓



STANZA TECHNICAL DRAWINGS





We recommend the 3 Bar Safety Valve for all ELECTRIC ONLY (E) products. Dual Fuel is possible either by use of "T" piece and radiator valve or by use of ONE850 or ONE851 (4 way valve)

Truva is available in a brushed matt finish.

MODEL SHOWN: TRU193-S (Brushed Matt)

TRUVA

Who can build the tallest tower?

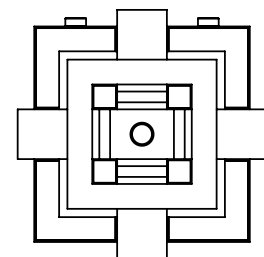
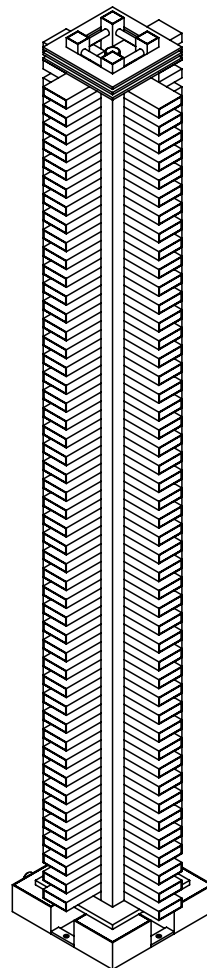
The stacked, criss-cross bars of this heated sculpture bring to mind childhood building blocks.

But who says the fun has to stop when we grow up?

SS MATERIAL
 S FINISH
 10 WORKING PRESSURE
 120 °C WORKING TEMP.
 OC OPEN/CLOSED SYSTEM
 FS MOUNTING POS.
 20 YEARS WARRANTY

PRODUCT NAME	DIMENSIONS			PIPE CENTRES	WALL TO PIPE CENTRE	WALL TO FACE	WATER CONTENT	GROSS WEIGHT	FUEL OPTIONS	PIPES OR SECTIONS	HEAT OUTPUT AT ΔT 50		FINISH
	Height mm	Length mm	Depth mm								BTU	Watts	
TRU134	1320	400	400	160	FS	FS	28.33	59.9	E/H/D	60	7180	2102	✓
TRU193	1960	300	300	160	FS	FS	31.91	84.3	E/H/D	92	9980	2922	✓

TRUVA TECHNICAL DRAWINGS



SIG



NATURE

ABACUS	110	PANACEA MIRROR	150
ACHERON	112	PEGASUS	152
ARAT E	114	PODIUM	154
ARAT L	116	RENDE	156
ARMADA	118	SKUALL	158
BAMBOO	120	SOFI	160
DALYA	122	STRIA	162
ELIXIR	124	SUMELA	164
GRANDUER	126	SUPRA DOUBLE	166
IMZA	128	SUPRA SINGLE	168
KARE	130	SUPRA TRIPLE	169
LOKUM	132	TARDIS	170
LUNAR	134	TIRENDAZ	172
MADONNA	136	TWISTER	174
MARBELLA	138	VENETIAN	176
MARION	140	WAVE	178
MERIDEN	142	ZIG ZAG	180
MYSTIC L	143		
MYSTIC E	144		
OTTOMAN	146		
PANACEA E	148		

20

YEARS WARRANTY

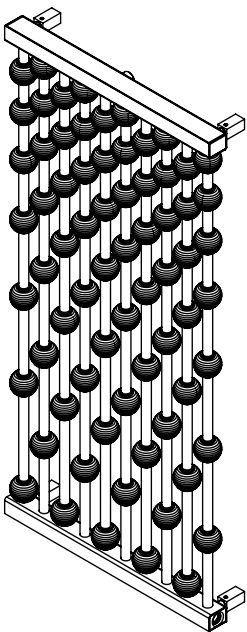
ABACUS

Vibrant, colourful design; perfect for fun-lovers and children's nurseries.
Bright globes contrast with sleek stainless steel tubes: a feast for the eyes.

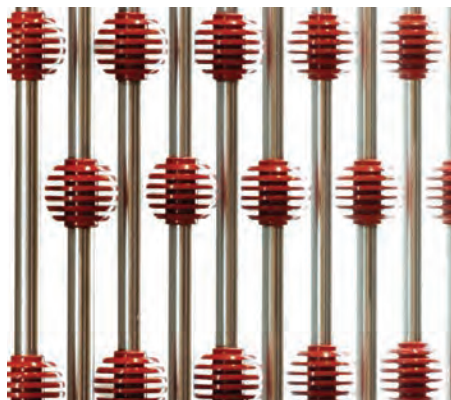
SS MATERIAL
 S FINISH
 100 WORKING PRESSURE
 120°C WORKING TEMP.
 CC OPEN/CLOSED SYSTEM
 V MOUNTING POS.
 20 YEARS WARRANTY

PRODUCT NAME	DIMENSIONS			PIPE CENTRES	WALL TO PIPE CENTRE	WALL TO FACE	WATER CONTENT	GROSS WEIGHT	FUEL OPTIONS	PIPES OR SECTIONS	HEAT OUTPUT AT ΔT 50		FINISH
	Height mm	Length mm	Depth mm								mm	mm	
ABI070-SRAL	950	460	45	50-550	75-90	95-110	2.12	17.5	E/H/D	10	3349	982	✓
ABI070-SRAL-v	950	460	45	50-550	75-90	95-110	2.12	17.5	E/H/D	10	3349	982	✓
ABI070-SSIL	950	460	45	50-550	75-90	95-110	2.12	17.5	E/H/D	10	3349	982	✓
ABI070-SLUM	950	460	45	50-550	75-90	95-110	2.12	17.5	E/H/D	10	3349	982	✓
ABI070-SG	950	460	45	50-550	75-90	95-110	2.12	26.5	E/H/D	10	3349	982	✓
ABI695-SRAL	1600	460	45	50-550	75-90	95-110	2.99	25.4	E/H/D	10	5159	1513	✓
ABI695-SRAL-v	1600	460	45	50-550	75-90	95-110	2.99	25.4	E/H/D	10	5159	1513	✓
ABI695-SSIL	1600	460	45	50-550	75-90	95-110	2.99	25.4	E/H/D	10	5159	1513	✓
ABI695-SLUM	1600	460	45	50-550	75-90	95-110	2.99	25.4	E/H/D	10	5159	1513	✓
ABI695-SG	1600	460	45	50-550	75-90	95-110	2.99	37.4	E/H/D	10	5159	1513	✓

ABACUS TECHNICAL DRAWING



GOLD GLOBES SHOWN



RED GLOBES SHOWN



MODEL SHOWN: AB1695-SLUM
(Luminescent Globes, on Brushed Matt Stainless Steel Tubes)

We recommend the 3 Bar Safety Valve for all ELECTRIC ONLY (E) products. Dual Fuel is possible either by use of "T" piece and radiator valve or by use of ONE850 or ONE851 (4 way valve)

Abacus is available in a multitude of finishes and can be fully customised to suit your preference. Abacus codes explained:

- SRAL: Globes Produced In Any One Chosen Ral Colour, On Brushed Matt Stainless Steel Tubes
- SRAL-v: Globes In A Selection/Multiples Of Any Chosen Ral Colour, On Brushed Matt Stainless Steel Tubes
- SSIL: Globes In A Silver Finish, On Brushed Matt Stainless Steel Tubes
- SLUM: Luminescent globes, On Brushed Matt Stainless Steel Tubes

MODEL SHOWN: AB1695-SRAL-vari
(Brushed Matt Stainless Steel Tubes with RAL Colour Globes)





BRING THE
OUTSIDE INSIDE
WITH ACHERON

MODEL SHOWN: ACH13RAL-WB-LEDDL (With Wood Base & LED Lights)

We recommend the 3 Bar
Safety Valve for all ELECTRIC
ONLY (E) products.



MODEL SHOWN: ACH13S-SSBRAL (Stainless
Steel Base RAL Colour in Silver, White & Black)



MODEL SHOWN: ACH13P-SSBP (Stainless
Steel Base Polished in Silver)

ACHERON

For those who love the natural touch, the Acheron makes a bold but pleasing statement in your unique environment. Dual-purpose mushroom caps provide both heat and light for your space, while expertly treated moss creates a natural carpeting.

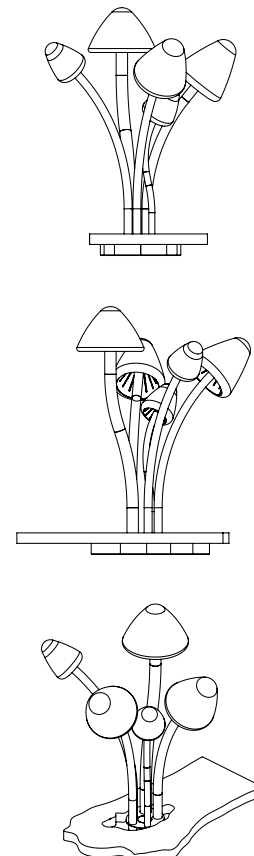
SS MATERIAL
 S P H FINISH
 100% WORKING PRESSURE
 120°C WORKING TEMP.
 OC OPEN/CLOSED SYSTEM
 FS MOUNTING POS.
 20 YEARS WARRANTY

PRODUCT NAME	DIMENSIONS			WALL TO FACE mm	GROSS WEIGHT kg	FUEL OPTIONS E/H/D	PIPES OR SECTIONS	HEAT OUTPUT AT ΔT 50		FINISHES			
	Height mm	Length mm	Depth mm					BTU	Watts	Brushed Matt S	Polished P	Painted RAL	Other Finish
ACH13RAL	1315	800	700	700	55.0	Fully Elec	5	3927	1150			✓	
ACH13S	1315	800	700	700	55.0	Fully Elec	5	3927	1150	✓			
ACH13P	1315	800	700	700	55.0	Fully Elec	5	3927	1150		✓		
WB	Wood Base												✓
SSBRAL	Stainless Steel Base In Any RAL Colour												✓
SSBS	Stainless Steel Base In A Brushed Matt Finish												✓
SSBP	Stainless Steel Base In A Polished Finish												✓
LEDDL	LED - DL (On/Off Switch, LED Day Light, Drive)												✓
LEDRGB	LED - RGB-RM (On/Off Switch, LED-RGB, Remote Control, Drive)												✓



MODEL SHOWN: ACH13S-SSBS (Stainless Steel Base Brushed Matt in Gold and Silver)

ACHERON TECHNICAL DRAWINGS





We recommend the 3 Bar Safety Valve for all ELECTRIC ONLY (E) products. Dual Fuel is possible either by use of "T" piece and radiator valve or by use of ONE850 or ONE851 (4 way valve)

Arat E is available in brushed matt and polished finishes.

MODEL SHOWN: ARE855-S (Brushed Matt)

ARAT E

Discretion meets elegance.

Practicality meets style. With more than 40 different sizes across the range, Arat offers total versatility, with a heat kick that belies its subtle appearance.

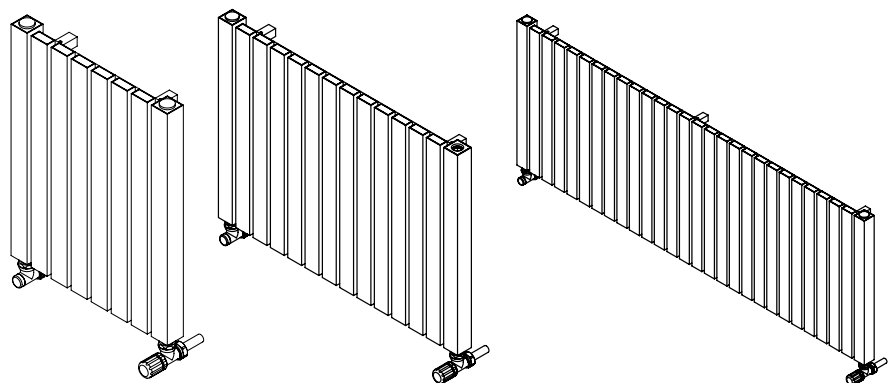
SS MATERIAL
 S/P FINISH
 10 bar WORKING PRESSURE
 120 °C WORKING TEMP.
 O/C OPEN/CLOSED SYSTEM
 V/H MOUNTING POS.
 20 YEARS WARRANTY

PRODUCT NAME	DIMENSIONS			PIPE CENTRES mm	WALL TO PIPE CENTRE mm	WALL TO FACE mm	WATER CONTENT lit	GROSS WEIGHT kg	FUEL OPTIONS E/H/D	PIPES OR SECTIONS	HEAT OUTPUT AT ΔT 50		FINISHES	
	Height mm	Length mm	Depth mm								BTU	Watts	Brushed Matt S	Polished P
ARE855	500	390	40	350	60-75	80-95	3.40	9.4	E/H/D	8	1441	422	✓	✓
ARE1055	500	490	40	450	60-75	80-95	4.08	11.4	E/H/D	10	1790	524	✓	✓
ARE1255	500	590	40	550	60-75	80-95	4.76	13.4	E/H/D	12	2138	626	✓	✓
ARE1455	500	690	40	650	60-75	80-95	5.44	15.4	E/H/D	14	2493	730	✓	✓
ARE1655	500	790	40	750	60-75	80-95	6.12	17.4	E/H/D	16	2835	830	✓	✓
ARE2055	500	990	40	950	60-75	80-95	7.48	21.3	E/H/D	20	3532	1034	✓	✓
ARE2455	500	1190	40	1150	60-75	80-95	8.85	25.3	H	24	4229	1238	✓	✓
ARE2855	500	1390	40	1350	60-75	80-95	10.21	29.3	H	28	4925	1442	✓	✓
ARE3255	500	1590	40	1550	60-75	80-95	11.57	33.3	H	32	5622	1646	✓	✓
ARE3655	500	1790	40	1750	60-75	80-95	12.93	37.3	H	36	6319	1850	✓	✓
ARE4055	500	1990	40	1950	60-75	80-95	14.29	41.2	H	40	7016	2054	✓	✓
ARE866	600	390	40	350	60-75	80-95	4.05	10.8	E/H/D	8	1730	506	✓	✓
ARE1066	600	490	40	450	60-75	80-95	4.86	13.1	E/H/D	10	2148	629	✓	✓
ARE1266	600	590	40	550	60-75	80-95	5.67	15.4	E/H/D	12	2566	751	✓	✓
ARE1466	600	690	40	650	60-75	80-95	6.47	17.7	E/H/D	14	2992	876	✓	✓
ARE1666	600	790	40	750	60-75	80-95	7.28	20.0	E/H/D	16	3402	996	✓	✓
ARE2066	600	990	40	950	60-75	80-95	8.89	24.5	E/H/D	20	4238	1241	✓	✓
ARE2466	600	1190	40	1150	60-75	80-95	10.50	29.1	H	24	5074	1486	✓	✓
ARE2866	600	1390	40	1350	60-75	80-95	12.12	33.7	H	28	5910	1730	✓	✓
ARE3266	600	1590	40	1550	60-75	80-95	13.73	38.3	H	32	6746	1975	✓	✓
ARE3666	600	1790	40	1750	60-75	80-95	15.34	42.9	H	36	7583	2220	✓	✓
ARE4066	600	1990	40	1950	60-75	80-95	16.95	47.4	H	40	8419	2465	✓	✓

THE COLLECTION - SIGNATURE



ARAT E TECHNICAL DRAWINGS



Additional technical drawings for all sizes are available.



We recommend the 3 Bar Safety Valve for all ELECTRIC ONLY (E) products. Dual Fuel is possible either by use of "T" piece and radiator valve or by use of ONE850 or ONE851 (4 way valve)

Arat L is available in brushed matt and polished finishes.

MODEL SHOWN: ARL16-6650-P (Polished)

ARAT L

Discretion meets elegance.

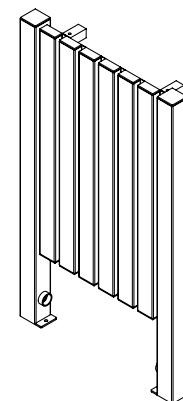
Practicality meets style. With more than 40 different sizes across the range, Arat offers total versatility, with a heat kick that belies its subtle appearance.

SS MATERIAL
 SP FINISH
 10 bar WORKING PRESSURE
 120 °C WORKING TEMP.
 OC OPEN/CLOSED SYSTEM
 V MOUNTING POS.
 20 YEARS WARRANTY

PRODUCT NAME	DIMENSIONS			PIPE CENTRES mm	WALL TO PIPE CENTRE mm	WALL TO FACE mm	WATER CONTENT lit	GROSS WEIGHT kg	FUEL OPTIONS E/H/D	PIPES OR SECTIONS	HEAT OUTPUT AT ΔT 50		FINISHES	
	Height mm	Length mm	Depth mm								BTU	Watts	Brushed Matt S	Polished P
ARL865	660	390	40	200	60-75	80-95	3.84	10.6	E/H/D	8	1551	454	✓	✓
ARL1065	660	490	40	300	60-75	80-95	4.52	12.7	E/H/D	10	1899	556	✓	✓
ARL1265	660	590	40	400	60-75	80-95	5.20	14.8	E/H/D	12	2247	658	✓	✓
ARL1465	660	690	40	500	60-75	80-95	5.88	17.0	E/H/D	14	2596	760	✓	✓
ARL1665	660	790	40	600	60-75	80-95	6.56	19.1	E/H/D	16	2944	862	✓	✓
ARL2065	660	990	40	800	60-75	80-95	7.92	23.3	E/H/D	20	3641	1066	✓	✓
ARL2465	660	1190	40	1000	60-75	80-95	9.28	27.6	H	24	4338	1270	✓	✓
ARL2865	660	1390	40	1200	60-75	80-95	10.64	31.8	H	28	5427	1589	✓	✓
ARL3265	660	1590	40	1400	60-75	80-95	12.01	36.0	H	32	5731	1678	✓	✓
ARL3665	660	1790	40	1600	60-75	80-95	13.37	40.3	H	36	6428	1882	✓	✓
ARL4065	660	1990	40	1800	60-75	80-95	14.73	44.5	H	40	7125	2086	✓	✓
ARL876	760	390	40	200	60-75	80-95	4.49	12.0	E/H/D	8	1861	545	✓	✓
ARL1076	760	490	40	300	60-75	80-95	5.30	14.4	E/H/D	10	2279	667	✓	✓
ARL1276	760	590	40	400	60-75	80-95	6.11	16.8	E/H/D	12	2697	790	✓	✓
ARL1476	760	690	40	500	60-75	80-95	6.91	19.3	E/H/D	14	3115	912	✓	✓
ARL1676	760	790	40	600	60-75	80-95	7.72	21.7	E/H/D	16	3533	1034	✓	✓
ARL2076	760	990	40	800	60-75	80-95	9.33	26.5	E/H/D	20	4369	1279	✓	✓
ARL2476	760	1190	40	1000	60-75	80-95	10.94	31.4	H	24	5205	1524	✓	✓
ARL2876	760	1390	40	1200	60-75	80-95	12.55	36.2	H	28	6513	1907	✓	✓
ARL3276	760	1590	40	1400	60-75	80-95	14.17	41.0	H	32	6878	2014	✓	✓
ARL3676	760	1790	40	1600	60-75	80-95	15.78	45.9	H	36	7714	2258	✓	✓
ARL4076	760	1990	40	1800	60-75	80-95	17.39	50.7	H	40	8550	2503	✓	✓



ARAT L TECHNICAL DRAWING



Technical specifications are subject to change without prior notice.

Tel: +44 (0)1908 271155 Web: www.aeon.uk.com



We recommend the 3 Bar Safety Valve for all ELECTRIC ONLY (E) products. Dual Fuel is possible either by use of "T" piece and radiator valve or by use of ONE850 or ONE851 (4 way valve)

Armada is available in brushed matt and polished finishes and with satin gold discs.

MODEL SHOWN: ARM1821-S (Brushed Matt)

ARMADA

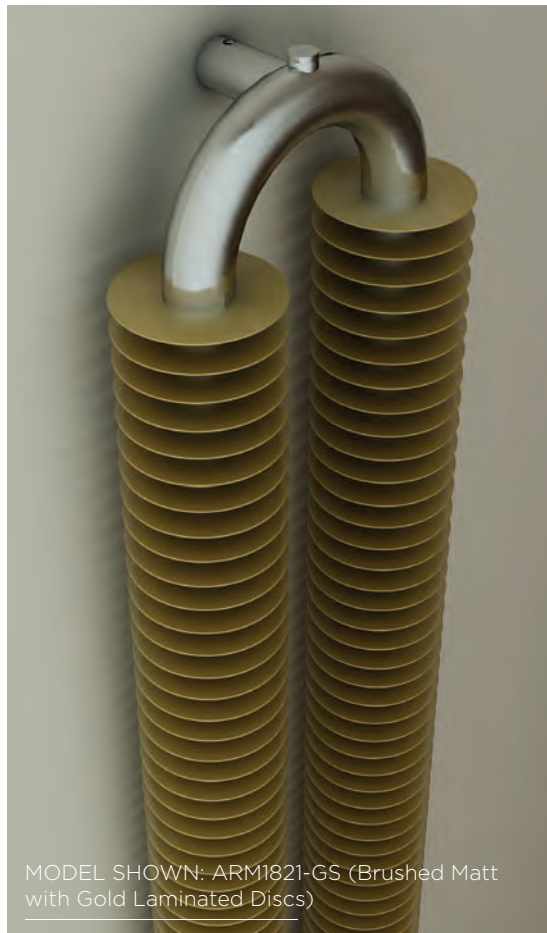
Strike out and conquer your interior design, with this bold but practical solution to your heating needs. This versatile design allows great flexibility in the choice of length and number of columns.

SS MATERIAL
 S P GS FINISH
 10 bar WORKING PRESSURE
 120 °C WORKING TEMP.
 O C OPEN/CLOSED SYSTEM
 V H MOUNTING POS.
 20 YEARS WARRANTY

PRODUCT NAME	DIMENSIONS			PIPE CENTRES mm	WALL TO PIPE CENTRE mm	WALL TO FACE mm	WATER CONTENT lit	GROSS WEIGHT kg	FUEL OPTIONS E/H/D	PIPES OR SECTIONS	HEAT OUTPUT AT ΔT 50		FINISHES			
	Height mm	Length mm	Depth mm								BTU	Watts	Brushed Matt S	Polished P	Satin	Gold Discs GS
ARM1221	1200	210	95	50	60-75	95-110	1.70	11.6	E/H/D	2	1804	528	✓	✓	✓	
ARM1521	1500	210	95	50	60-75	95-110	2.10	14.5	E/H/D	2	2295	672	✓	✓	✓	
ARM1821	1800	210	95	50	60-75	95-110	2.50	17.5	E/H/D	2	2785	816	✓	✓	✓	
ARM1247	1200	470	95	50	60-75	95-110	3.50	21.4	E/H/D	4	3609	1057	✓	✓	✓	
ARM1547	1500	470	95	50	60-75	95-110	4.40	26.3	E/H/D	4	4590	1344	✓	✓	✓	
ARM1847	1800	470	95	50	60-75	95-110	5.20	31.0	E/H/D	4	5571	1631	✓	✓	✓	

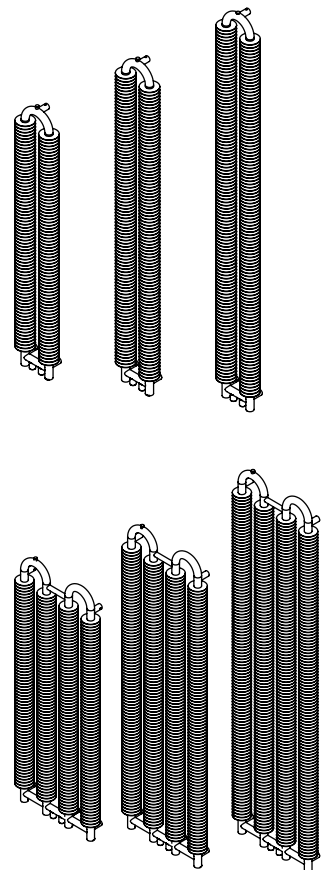


MODEL SHOWN: ARM1821-P (Polished)



MODEL SHOWN: ARM1821-GS (Brushed Matt with Gold Laminated Discs)

ARMADA TECHNICAL DRAWINGS



We recommend the 3 Bar Safety Valve for all ELECTRIC ONLY (E) products. Dual Fuel is possible either by use of "T" piece and radiator valve or by use of ONE850 or ONE851 (4 way valve)

Bamboo is available in brushed matt and polished finishes.

MODEL SHOWN: BAW418-S (Brushed Matt)

BAMBOO

Brings the outdoors inside.

This set of stainless steel hollow tubes shoots up to the sky. Wall and corner versions introduce a touch of Eastern promise to the room.

BAMBOO WALL

SS MATERIAL
 S/P FINISH
 10bar WORKING PRESSURE
 120 °C WORKING TEMP.
 O/C OPEN/CLOSED SYSTEM
 V MOUNTING POS.
 20 YEARS WARRANTY

PRODUCT NAME	DIMENSIONS			PIPE CENTRES	WALL TO PIPE CENTRE	WALL TO FACE	WATER CONTENT	GROSS WEIGHT	FUEL OPTIONS	PIPES OR SECTIONS	HEAT OUTPUT AT ΔT 50		FINISHES	
	Height mm	Length mm	Depth mm								mm	mm	mm	lt
BAW118	1800	80	60	170	40-55	115-130	1.23	10.8	E/H/D	2	1023	300	✓	✓
BAW118HJ	1800	60	70	170	40-55	115-130	1.23	10.8	E/H/D	2	1023	300	✓	✓
BAW218	1800	130	90	50	40-55	115-130	2.57	19.4	E/H/D	4	2043	599	✓	✓
BAW318	1800	200	90	50	40-55	115-130	3.80	27.9	E/H/D	6	3066	899	✓	✓
BAW418	1800	270	90	50	40-55	115-130	5.09	36.4	E/H/D	8	4082	1197	✓	✓
BAW812	1200	550	90	50	40-55	115-130	6.51	49.8	E/H/D	16	5442	1596	✓	✓

BAMBOO CORNER

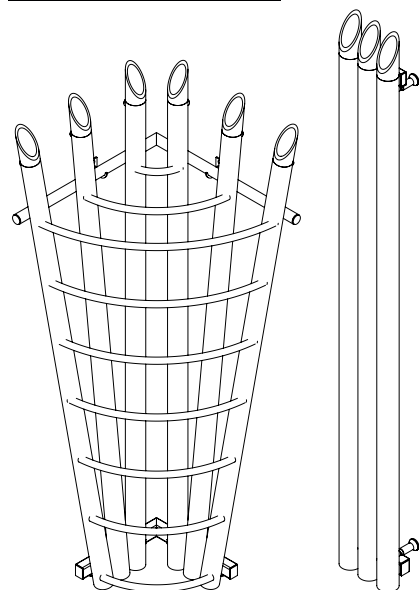
SS MATERIAL
 S/P FINISH
 10bar WORKING PRESSURE
 120 °C WORKING TEMP.
 O/C OPEN/CLOSED SYSTEM
 V MOUNTING POS.
 20 YEARS WARRANTY

PRODUCT NAME	DIMENSIONS			PIPE CENTRES	WALL TO PIPE CENTRE	WALL TO FACE	WATER CONTENT	GROSS WEIGHT	FUEL OPTIONS	PIPES OR SECTIONS	HEAT OUTPUT AT ΔT 50		FINISHES	
	Height mm	Length mm	Depth mm								mm	mm	mm	lt
BAC618	1800	600	600	272	50-60	660-670	9.93	70.7	E/H/D	12	6124	1796	✓	✓



MODEL SHOWN: BAC618-S (Brushed Matt)

BAMBOO TECHNICAL DRAWINGS





We recommend the 3 Bar Safety Valve for all ELECTRIC ONLY (E) products. Dual Fuel is possible either by use of "T" piece and radiator valve or by use of ONE850 or ONE851 (4 way valve)

Dalya is available in brushed matt and polished finishes.

MODEL SHOWN: DAE866-S (Brushed Matt)



MODEL SHOWN: DAL876-S (Brushed Matt)

DALYA

Squaring the circle.

The clever combination of square sections with hollow tubular centres optimises heat output and enhances style. An attractive way to keep out the cold.

DALYA E

SS MATERIAL
 S/P FINISH
 10 bar WORKING PRESSURE
 120 °C WORKING TEMP.
 O/C OPEN/CLOSED SYSTEM
 V MOUNTING POS.
 20 YEARS WARRANTY

PRODUCT NAME	DIMENSIONS			PIPE CENTRES mm	WALL TO PIPE CENTRE mm	WALL TO FACE mm	WATER CONTENT lit	GROSS WEIGHT kg	FUEL OPTIONS E/H/D	PIPES OR SECTIONS	HEAT OUTPUT AT ΔT 50		FINISHES	
	Height mm	Length mm	Depth mm								BTU	Watts	Brushed Matt S	Polished P
DAE866	600	390	70	350	35-50	95-110	3.33	18.3	E/H/D	16	2582	756	✓	✓
DAE1066	600	490	70	450	35-50	95-110	4.17	22.6	E/H/D	20	3245	950	✓	✓
DAE1266	600	590	70	550	35-50	95-110	5.01	26.8	E/H/D	24	3894	1140	✓	✓
DAE1466	600	690	70	650	35-50	95-110	5.84	31.1	E/H/D	28	4543	1330	✓	✓
DAE1666	600	790	70	750	35-50	95-110	6.68	35.3	E/H/D	32	5192	1520	✓	✓
DAE2066	600	990	70	950	35-50	95-110	8.36	43.8	E/H/D	40	6490	1900	✓	✓
DAE2466	600	1190	70	1150	35-50	95-110	10.04	52.3	H	48	7788	2280	✓	✓
DAE2866	600	1390	70	1350	35-50	95-110	11.72	60.8	H	56	9085	2660	✓	✓
DAE3266	600	1590	70	1550	35-50	95-110	13.39	69.3	H	64	10383	3040	✓	✓
DAE3666	600	1790	70	1750	35-50	95-110	15.07	77.8	H	72	11681	3420	✓	✓

DALYA L

SS MATERIAL
 S/P FINISH
 10 bar WORKING PRESSURE
 120 °C WORKING TEMP.
 O/C OPEN/CLOSED SYSTEM
 V MOUNTING POS.
 20 YEARS WARRANTY

PRODUCT NAME	DIMENSIONS			PIPE CENTRES mm	WALL TO PIPE CENTRE mm	WALL TO FACE mm	WATER CONTENT lit	GROSS WEIGHT kg	FUEL OPTIONS E/H/D	PIPES OR SECTIONS	HEAT OUTPUT AT ΔT 50		FINISHES	
	Height mm	Length mm	Depth mm								BTU	Watts	Brushed Matt S	Polished P
DAL876	760	390	70	200	35-50	95-110	3.75	19.9	E/H/D	16	2661	779	✓	✓
DAL1076	760	490	70	300	35-50	95-110	4.59	24.3	E/H/D	20	3310	969	✓	✓
DAL1276	760	590	70	400	35-50	95-110	5.43	28.7	E/H/D	24	3959	1159	✓	✓
DAL1476	760	690	70	500	35-50	95-110	6.26	33.0	E/H/D	28	4608	1349	✓	✓
DAL1676	760	790	70	600	35-50	95-110	7.10	37.4	E/H/D	32	5257	1539	✓	✓
DAL2076	760	990	70	800	35-50	95-110	8.78	46.3	E/H/D	20	6555	1919	✓	✓
DAL2476	760	1190	70	1000	35-50	95-110	10.46	54.9	H	48	7852	2299	✓	✓
DAL71513	1500	340	60	150	35-50	95-110	6.10	34.5	H	14	5127	1501	✓	✓
DAL51816	1800	240	60	50	35-50	95-110	5.36	30.5	H	10	4533	1327	✓	✓
DAL61816	1800	290	60	100	35-50	95-110	6.32	35.9	H	12	5393	1579	✓	✓
DAL52018	2000	240	60	50	35-50	95-110	5.92	33.8	H	10	5072	1485	✓	✓



Elixir is available in a brushed matt finish.

MODEL SHOWN: ELX120-S (Brushed Matt), ELXM120-S (Brushed Matt Mirror)
& ELXGS120-S (Brushed Matt Glass Shelf)

ELIXIR

The rule of three.

A functional table, a powerful radiator, and a dramatic feature.

Accompanied by a co-ordinating mirror, Elixir will be the undisputed focal point of any room.

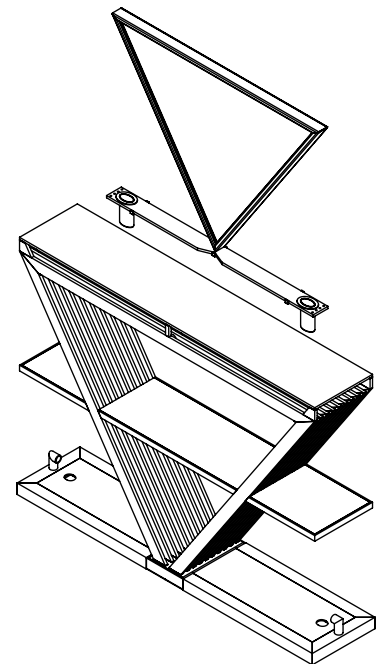
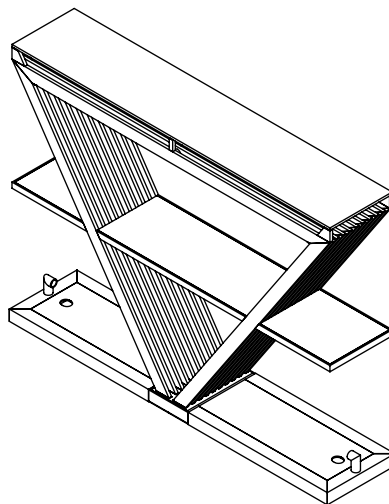
SS MATERIAL
 S FINISH
 10bar WORKING PRESSURE
 120°C WORKING TEMP.
 OC OPEN/CLOSED SYSTEM
 V MOUNTING POS.
 20 YEARS WARRANTY

PRODUCT NAME	DIMENSIONS			PIPE CENTRES	WALL TO PIPE CENTRE	WALL TO FACE	WATER CONTENT	GROSS WEIGHT	FUEL OPTIONS	PIPES OR SECTIONS	HEAT OUTPUT AT ΔT 50		FINISHE
	Height mm	Length mm	Depth mm								mm	mm	
ELX120	900	1200	255	1030	150	280	13.05	68.7	H	30	11190	3277	✓
ELX150	900	1500	255	1330	150	280	15.07	80.9	H	30	12425	3638	✓
ELXM120 (Mirror)	630	840	60					17.6					✓
ELXM150 (Mirror)	630	1050	60					21.4					✓
ELXGS120 (Glass Shelf)	100	840	60					2.9					✓
ELXGS150 (Glass Shelf)	100	1050	60					3.4					✓



DRAMATIC TRIANGULAR MIRROR AND GLASS SHELF

ELIXIR TECHNICAL DRAWINGS





Grandeur is available in brushed matt and polished finishes.

MODEL SHOWN: GRA146-S (Brushed Matt)

GRANDEUR

Make an entrance.

Aggrandise a bathroom. Scrolled arms evoke the timeless beauty of the Renaissance period, adding a classic twist to the linear grille of Grandeur's design.

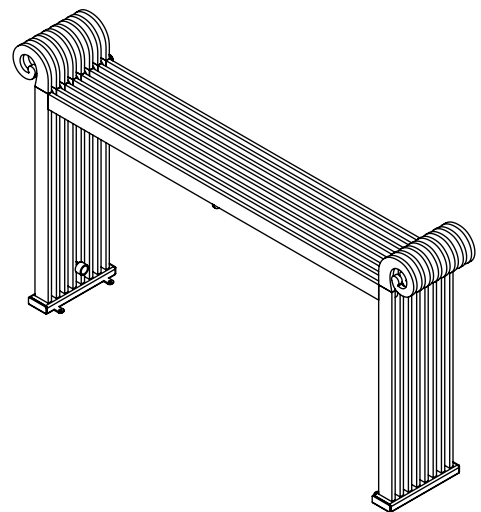
SS MATERIAL
 SP FINISH
 10bar WORKING PRESSURE
 120°C WORKING TEMP.
 OC OPEN/CLOSED SYSTEM
 FS MOUNTING POS.
 20 YEARS WARRANTY

PRODUCT NAME	DIMENSIONS			PIPE CENTRES	WALL TO PIPE CENTRE	WALL TO FACE	WATER CONTENT	GROSS WEIGHT	FUEL OPTIONS	PIPES OR SECTIONS	HEAT OUTPUT AT ΔT 50		FINISHES	
	Height mm	Length mm	Depth mm								mm	mm	mm	lt
GRA106	660	965	210	630	FS	FS	4.00	37.2	H	26	4317	1264	✓	✓
GRA126	660	1215	210	880	FS	FS	4.50	41.7	H	26	4977	1457	✓	✓
GRA146	660	1415	210	1080	FS	FS	4.90	46.0	H	26	5506	1612	✓	✓
GRA176	660	1715	210	1380	FS	FS	5.50	51.1	H	26	6302	1845	✓	✓
GRA206	660	2030	210	1695	FS	FS	6.13	57.2	H	26	7135	2089	✓	✓

ECHOES OF THE RENAISSANCE PERIOD



GRANDEUR TECHNICAL DRAWING



IMZA

Reliable and beautiful, created from top quality materials.

With a towel bar option for added versatility, this slim radiator will become an invaluable part of your home in no time at all.

SS MATERIAL
 S/P FINISH
 10 bar WORKING PRESSURE
 120 °C WORKING TEMP.
 O/C OPEN/CLOSED SYSTEM
 V/H MOUNTING POS.
 20 YEARS WARRANTY

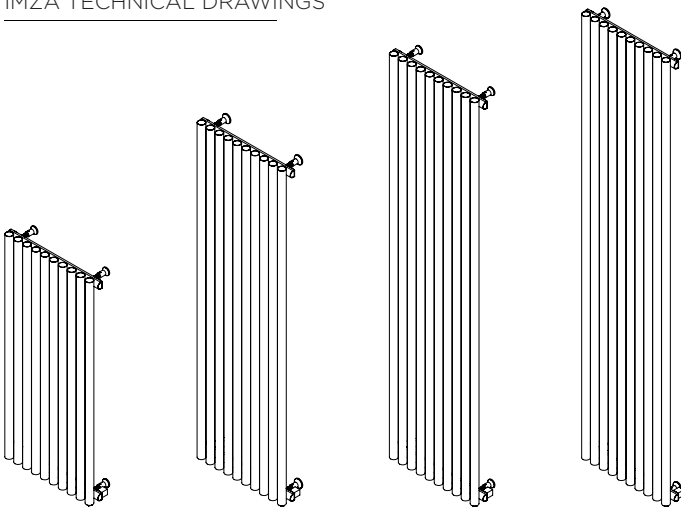
PRODUCT NAME	DIMENSIONS			PIPE CENTRES	WALL TO PIPE CENTRE	WALL TO FACE	WATER CONTENT	GROSS WEIGHT	FUEL OPTIONS	PIPES OR SECTIONS	HEAT OUTPUT AT ΔT 50		FINISHES	
	Height mm	Length mm	Depth mm								mm	mm	mm	lt
IMZI00	1000	470	50	433	25-40*	95-110	6.99	12.5	E/H/D	10	2978	872	✓	✓
IMZI50	1500	470	50	433	25-40*	95-110	10.29	17.6	E/H/D	10	4485	1313	✓	✓
IMZI80	1800	470	50	433	25-40*	95-110	12.27	20.6	E/H/D	10	5362	1570	✓	✓
IMZ200	2000	470	50	433	25-40*	95-110	13.59	22.7	E/H/D	10	5960	1745	✓	✓
ITB10	32	420	60					1.0					✓	✓

*Using 90MF

PARALLEL VERTICAL RAILS
LEAD THE EYE UPWARDS
CREATING AN IMMENSE
AND SPACIOUS FEELING



IMZA TECHNICAL DRAWINGS



We recommend the 3 Bar Safety Valve for all ELECTRIC ONLY (E) products. Dual Fuel is possible either by use of "T" piece and radiator valve or by use of ONE850 or ONE851 (4 way valve)



Imza is available in brushed matt and polished finishes.

MODEL SHOWN: IMZ200-S (Brushed Matt)

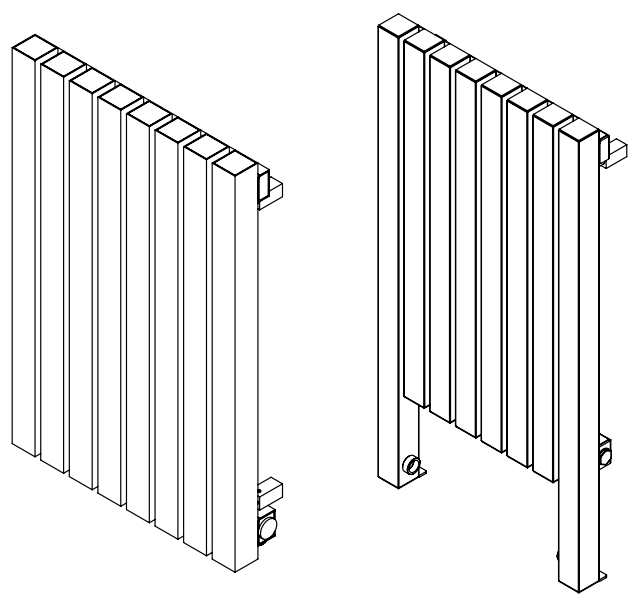


Kare is available in brushed matt and polished finishes.
MODEL SHOWN: KRE866-S (Brushed Matt)



MODEL SHOWN: KRL876-S (Brushed Matt)

KARE TECHNICAL DRAWINGS



KARE

A traditional, square design, Kare is equally suitable for the home or workspace. This compact radiator offers smooth lines and superb heat delivery. Easy to install; effortless to live with.

KARE E

SS MATERIAL
 S/P FINISH
 10bar WORKING PRESSURE
 120°C WORKING TEMP.
 □/□ OPEN/CLOSED SYSTEM
 V/H MOUNTING POS.
 20 YEARS WARRANTY

PRODUCT NAME	DIMENSIONS			PIPE CENTRES	WALL TO PIPE CENTRE	WALL TO FACE	WATER CONTENT	GROSS WEIGHT	FUEL OPTIONS	PIPES OR SECTIONS	HEAT OUTPUT AT ΔT 50		FINISHES	
	Height mm	Length mm	Depth mm								mm	mm	mm	lit
KRE866	600	390	70	350	35-50	95-110	7.16	14.4	E/H/D	8	1885	552	✓	✓
KRE1066	600	490	70	450	35-50	95-110	8.96	17.6	E/H/D	10	2357	690	✓	✓
KRE1266	600	590	70	550	35-50	95-110	10.75	20.9	E/H/D	12	2828	828	✓	✓
KRE1466	600	690	70	650	35-50	95-110	12.55	24.1	E/H/D	14	3299	966	✓	✓
KRE1666	600	790	70	750	35-50	95-110	14.35	27.4	E/H/D	16	3771	1104	✓	✓
KRE2066	600	990	70	950	35-50	95-110	17.94	33.9	E/H/D	20	4714	1380	✓	✓
KRE2466	600	1190	70	1150	35-50	95-110	21.53	40.4	H	24	5656	1656	✓	✓
KRE2866	600	1390	70	1350	35-50	95-110	25.12	46.9	H	28	6599	1932	✓	✓
KRE3266	600	1590	70	1550	35-50	95-110	28.72	53.4	H	32	7542	2208	✓	✓
KRE3666	600	1790	70	1750	35-50	95-110	32.31	59.9	H	36	8484	2484	✓	✓

KARE L

SS MATERIAL
 S/P FINISH
 10bar WORKING PRESSURE
 120°C WORKING TEMP.
 □/□ OPEN/CLOSED SYSTEM
 V MOUNTING POS.
 20 YEARS WARRANTY

PRODUCT NAME	DIMENSIONS			PIPE CENTRES	WALL TO PIPE CENTRE	WALL TO FACE	WATER CONTENT	GROSS WEIGHT	FUEL OPTIONS	PIPES OR SECTIONS	HEAT OUTPUT AT ΔT 50		FINISHES	
	Height mm	Length mm	Depth mm								mm	mm	mm	lit
KRL876	760	390	70	200	35-50	95-110	7.60	15.6	E/H/D	8	1988	582	✓	✓
KRL1076	760	490	70	300	35-50	95-110	9.39	19.0	E/H/D	10	2459	720	✓	✓
KRL1276	760	590	70	400	35-50	95-110	11.19	22.3	E/H/D	12	2931	858	✓	✓
KRL1476	760	690	70	500	35-50	95-110	12.99	25.7	E/H/D	14	3402	996	✓	✓
KRL1676	760	790	70	600	35-50	95-110	14.78	29.1	E/H/D	16	3873	1134	✓	✓
KRL2076	760	990	70	800	35-50	95-110	18.38	35.9	E/H/D	20	4816	1410	✓	✓
KRL2476	760	1190	70	1000	35-50	95-110	21.97	42.7	H	24	5759	1686	✓	✓
KRL2876	760	1390	70	1200	35-50	95-110	25.56	49.4	H	28	6701	1962	✓	✓
KRL3276	760	1590	70	1400	35-50	95-110	29.16	56.2	H	32	7644	2238	✓	✓
KRL3676	760	1790	70	1600	35-50	95-110	32.75	63.0	H	36	8587	2514	✓	✓
KRL71513	1500	340	60	150	35-50	95-110	13.39	26.0	H	7	3720	1089	✓	✓
KRL51816	1800	240	60	50	35-50	95-110	11.77	22.8	H	5	3299	966	✓	✓
KRL61816	1800	290	60	100	35-50	95-110	14.02	26.9	H	6	3928	1150	✓	✓
KRL52018	2000	340	60	150	35-50	95-110	13.14	27.3	H	5	3692	1081	✓	✓



Lokum is available in brushed matt and polished finishes.

MODEL SHOWN: LOK45-SEP-S (Brushed Matt)

LOKUM

Retro revolution.

This funky, powerful radiator stands from floor to ceiling, doubling up as an unusual room divider. Lokum is also available as a wall-mounted radiator.

SS MATERIAL
 SP FINISH
 8bar WORKING PRESSURE
 120°C WORKING TEMP.
 OC OPEN/CLOSED SYSTEM
 VHFS MOUNTING POS.
 20 YEARS WARRANTY

Wall Mounted

PRODUCT NAME	DIMENSIONS			PIPE CENTRES	WALL TO PIPE CENTRE	WALL TO FACE	WATER CONTENT	GROSS WEIGHT	FUEL OPTIONS	PIPES OR SECTIONS	HEAT OUTPUT AT ΔT 50		FINISHES	
	Height mm	Length mm	Depth mm								mm	mm	mm	lt
LOK12	570	400	50	300	80-95	105-120	2.45	11.7	H	12	2172	636	✓	✓
LOK21	1020	400	50	300	80-95	105-120	4.28	19.7	H	21	3802	1113	✓	✓
LOK30	1470	400	50	300	80-95	105-120	6.12	28.1	H	30	5431	1590	✓	✓
LOK36	1770	400	50	300	80-95	105-120	7.34	33.2	H	36	5779	1692	✓	✓
LOK45	2220	400	50	300	80-95	105-120	9.17	40.7	H	45	8146	2385	✓	✓

Integrated Towel Rail

LOK28T	1060	580	50	480	80-95	105-120	5.70	26.2	H	28	5068	1484	✓	✓
--------	------	-----	----	-----	-------	---------	------	------	---	----	------	------	---	---

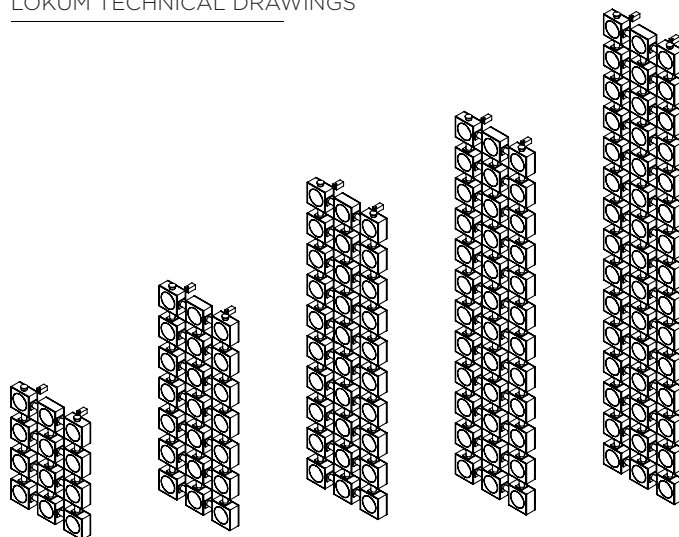
Room Separator FREE STANDING

PRODUCT NAME	DIMENSIONS			PIPE CENTRES	WALL TO PIPE CENTRE	WATER CONTENT	GROSS WEIGHT	FUEL OPTIONS	PIPES OR SECTIONS	HEAT OUTPUT AT ΔT 50		RETAIL PRICE £	
	Height mm	Length mm	Depth mm							mm	mm	lt	kg
LOKUM45-SEP	2470-2550	450	50	155	80-95	9.17	40.7	H	45	8146	2385	✓	✓



A RETRO REVOLUTION FOCAL POINT

LOKUM TECHNICAL DRAWINGS



Drawings show Lokum when wall mounted.

LUNAR

Space-age sophistication.

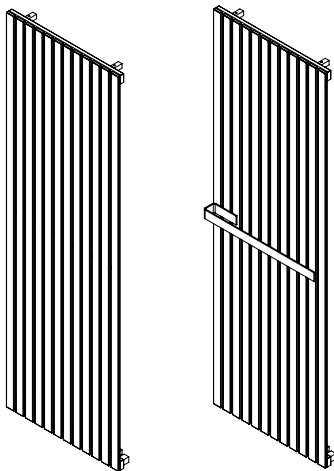
Vertical columns reach for the stars in this visually-stunning radiator that's guaranteed to banish the chill. With a sleek towel bar and AEON's stunning Infini mirror available as accessories, Lunar really is out of this world.

SS MATERIAL
 S/P FINISH
 10bar WORKING PRESSURE
 120°C WORKING TEMP.
 0/C OPEN/CLOSED SYSTEM
 V/H MOUNTING POS.
 20 YEARS WARRANTY

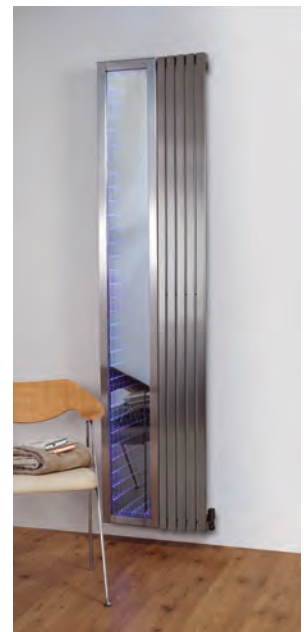
PRODUCT NAME	DIMENSIONS			PIPE CENTRES	WALL TO PIPE CENTRE	WALL TO FACE	WATER CONTENT	GROSS WEIGHT	FUEL OPTIONS	PIPES OR SECTIONS	HEAT OUTPUT AT ΔT 50		FINISHES	
	Height mm	Length mm	Depth mm								mm	mm	mm	lt
LUN1505	1500	240	30	200	25-40*	70-85	2.23	11.4	H	5	1985	582	✓	✓
LUN1507	1500	340	30	300	25-40*	70-85	3.13	15.7	H	7	2779	815	✓	✓
LUN1510	1500	490	30	450	25-40*	70-85	4.48	22.1	H	10	3969	1164	✓	✓
LUN1515	1500	740	30	700	25-40*	70-85	6.54	32.7	H	15	5954	1746	✓	✓
LUN1520	1500	990	30	950	25-40*	70-85	8.98	43.4	H	20	7938	2328	✓	✓
LUN1805	1800	240	30	200	25-40*	70-85	2.62	13.3	H	5	2380	698	✓	✓
LUN1807	1800	340	30	300	25-40*	70-85	3.67	18.3	H	7	3332	977	✓	✓
LUN1810	1800	490	30	450	25-40*	70-85	5.26	25.9	H	10	4760	1396	✓	✓
LUN1812	1800	590	30	550	25-40*	70-85	6.31	30.9	H	12	5712	1675	✓	✓
LUN2005	2000	240	30	200	25-40*	70-85	2.88	14.6	H	5	2646	776	✓	✓
LUN2007	2000	340	30	300	25-40*	70-85	4.04	20.1	H	7	3703	1086	✓	✓
LUN2007T	2000	320	30	280	25-40*	70-85	4.01	19.9	H	7	3683	1080	✓	✓
LUN2010	2000	490	30	450	25-40*	70-85	5.77	28.4	H	10	5292	1552	✓	✓
LUN2012	2000	590	30	550	25-40*	70-85	6.93	33.9	H	12	6349	1862	✓	✓
LUNTB5	40	240	60					0.9					✓	✓
LUNTB7	40	340	60					1.1					✓	✓
LUNTB10	40	490	60					1.6					✓	✓

- *Using 90MF
- Infini Mirror is compatible with Lunar.
- LUNTB10, LUNTB5 and LUNTB7 are Lunar Towel Bar Accessories.

LUNAR TECHNICAL DRAWINGS



MODEL SHOWN: LUN2005-S (Brushed Matt) with Infini Mirror

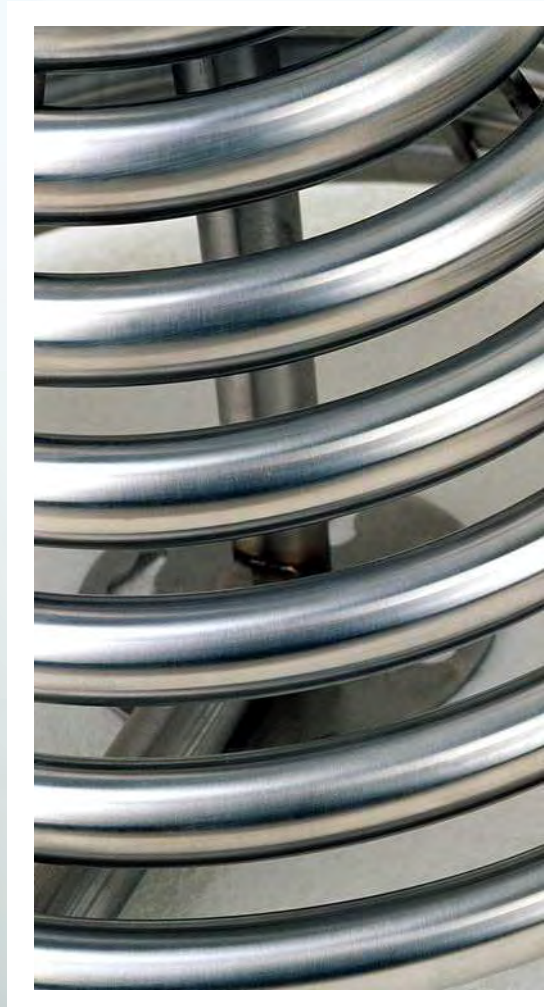




MODEL SHOWN: LUN2005-S
(Brushed Matt) with Towel Bar

Lunar is available in brushed matt and polished finishes.

MODEL SHOWN: LUN2005-S (Brushed Matt)



Madonna is available in brushed matt and polished finishes.

MODEL SHOWN: MAD400-S (Brushed Matt)

MADONNA

Vogue.

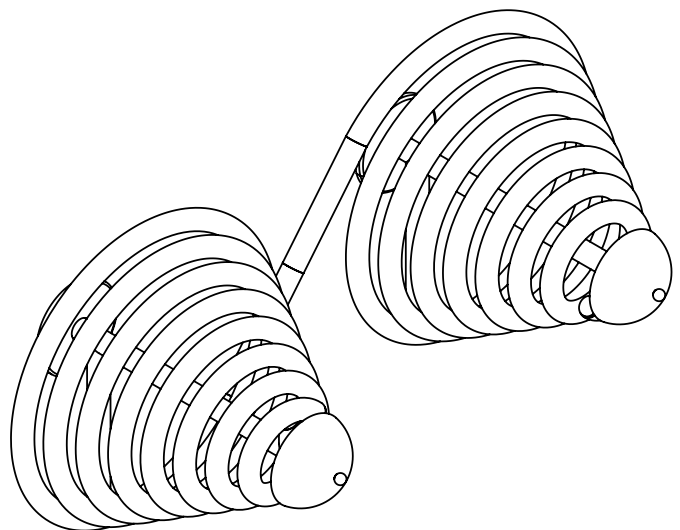
Leave the skirting board behind and show off with this double feature piece. Madonna's quirky design will add fun and warmth to any compact space.

SS MATERIAL
 SP FINISH
 8.3 WORKING PRESSURE
 120°C WORKING TEMP.
 OC OPEN/CLOSED SYSTEM
 H MOUNTING POS.
 20 YEARS WARRANTY

PRODUCT NAME	DIMENSIONS			PIPE CENTRES	WALL TO PIPE CENTRE	WALL TO FACE	WATER CONTENT	GROSS WEIGHT	FUEL OPTIONS	PIPES OR SECTIONS	HEAT OUTPUT AT ΔT 50		FINISHES	
	Height mm	Length mm	Depth mm								mm	mm	mm	lt
MAD400	400	900	425	500	40	425	5.97	23.2	H	2	1339	392	✓	✓



MADONNA TECHNICAL DRAWING



We recommend the 3 Bar Safety Valve for all ELECTRIC ONLY (E) products. Dual Fuel is possible either by use of "T" piece and radiator valve or by use of ONE850 or ONE851 (4 way valve)

Marbella is available in brushed matt and polished finished belts with natural stone tiles.

MODEL SHOWN: MAR4-P (Polished Belts)
MNA (Nero Absoluto) Granite Tiles



MARBELLA

A sensuous, smooth mixture of natural stone panels and stainless steel bars.

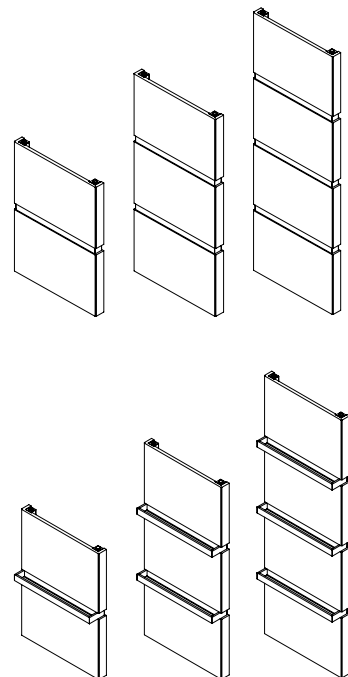
The wide choice of sizes and a selection of stone finishes allow this tailored design to complement the individual's own style. Also available with intergrated towel rails.

PROD- UCT NAME	DIMENSIONS			PIPE CENTRES	WALL TO PIPE CENTRE	WALL TO FACE	WATER CONTENT	GROSS WEIGHT	FUEL OPTIONS	PIPES OR SECTIONS	HEAT OUTPUT AT ΔT 50	FINISHES			
	Height mm	Length mm	Depth mm									mm	mm	mm	kg
MAR2	845	600	60	520	35-50	75-85	3.29	15.7	E/H/D	8	1680	492	✓	✓	
MAR3	1285	600	60	520	35-50	75-85	5.00	23.8	E/H/D	12	2507	734	✓	✓	
MAR4	1725	600	60	520	35-50	75-85	6.70	31.8	E/H/D	16	3354	982	✓	✓	
MAR2T	845	600	120	520	35-50	75-85	3.41	171	E/H/D	8	1697	497	✓	✓	
MAR3T	1285	600	120	520	35-50	75-85	5.25	26.5	E/H/D	12	2532	741	✓	✓	
MAR4T	1725	600	120	520	35-50	75-85	7.08	35.5	E/H/D	16	3388	992	✓	✓	
MNA	400	600	60					22.8	Nero Assoluto Black Granite Natural Stone - Polished Finish						✓
MCM	400	600	60					19.8	Crema Marfil Beige Marble Natural - Polished Finish						✓
MTC	400	600	60					17.3	Travertine Classico Beige Natural Stone - Satin Matt Finish						✓



MODEL SHOWN: MAR3T-P
(Polished Towel Bars & Belts)
MCM (Crema Marfil) Marble Tiles

MARBELLA TECHNICAL DRAWINGS



We recommend the 3 Bar Safety Valve for all ELECTRIC ONLY (E) products. Dual Fuel is possible either by use of "T" piece and radiator valve or by use of ONE850 or ONE851 (4 way valve)

Marion is available in brushed matt and polished finishes.

MODEL SHOWN: MAL51816-S (Brushed Matt)



MARION

Subtle luxury.

The simple design encapsulates easy elegance and versatile performance. Marion will enhance any room of the house - no need to banish it to the kitchen or bathroom.

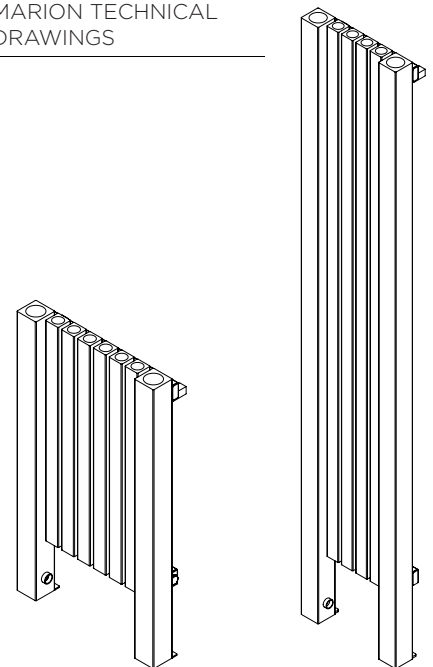
SS MATERIAL
 S/P FINISH
 8.6 WORKING PRESSURE
 120 °C WORKING TEMP.
 ○/○ OPEN/CLOSED SYSTEM
 ∇ MOUNTING POS.
 20 YEARS WARRANTY

PRODUCT NAME	DIMENSIONS			PIPE CENTRES	WALL TO PIPE CENTRE	WALL TO FACE	WATER CONTENT	GROSS WEIGHT	FUEL OPTIONS	PIPES OR SECTIONS	HEAT OUTPUT AT ΔT 50		RETAIL PRICE £	
	Height mm	Length mm	Depth mm								mm	mm	mm	lt
MAL876	760	430	90	200	90-105	120-135	5.01	24.1	E/H/D	16	2739	802	✓	✓
MAL1076	760	530	90	300	90-105	120-135	5.89	28.5	E/H/D	20	3388	992	✓	✓
MAL1276	760	630	90	400	90-105	120-135	6.77	32.9	E/H/D	24	4037	1182	✓	✓
MAL1476	760	730	90	500	90-105	120-135	7.65	37.4	E/H/D	28	4686	1372	✓	✓
MAL1676	760	830	90	600	90-105	120-135	8.53	41.8	E/H/D	32	5335	1562	✓	✓
MAL2076	760	1030	90	800	90-105	120-135	10.28	50.7	E/H/D	40	6633	1942	✓	✓
MAL2476	760	1230	90	1000	90-105	120-135	12.04	59.6	H	48	7931	2322	✓	✓
MAL2876	760	1430	90	1200	90-105	120-135	13.80	68.5	H	56	9229	2702	✓	✓
MAL3276	760	1630	90	1400	90-105	120-135	15.55	76.3	H	64	10527	3082	✓	✓
MAL3676	760	1830	90	1600	90-105	120-135	17.31	86.2	H	72	11825	3462	✓	✓
MAL4076	760	2030	90	1800	90-105	120-135	19.07	95.1	H	80	13123	3842	✓	✓
MAL71513	1500	380	80	150	90-105	120-135	13.66	42.4	H	14	5082	1488	✓	✓
MAL51816	1800	280	80	50	90-105	120-135	12.08	39.8	H	10	4471	1309	✓	✓
MAL61816	1800	330	80	100	90-105	120-135	14.33	45.3	H	12	5335	1562	✓	✓
MAL52018	2000	280	80	50	90-105	120-135	13.48	44.1	H	10	5011	1467	✓	✓

MODEL SHOWN: MAL2076-S (Brushed Matt)



MARION TECHNICAL DRAWINGS



Technical specifications are subject to change without prior notice.

MERIDIEN

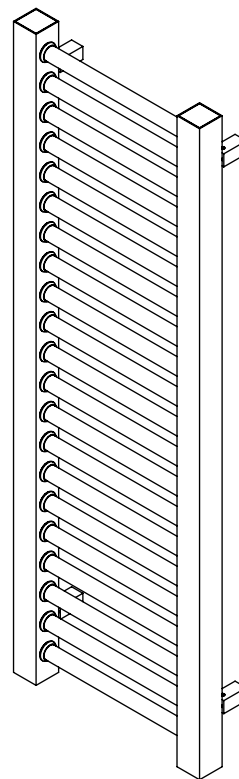
Strike a course for this tall, ladder-style radiator, which doubles as a towel rail. Its super narrow dimensions make it perfect for rooms with high ceilings and limited wall space.

SS MATERIAL
 S/P FINISH
 10 bar WORKING PRESSURE
 120 °C WORKING TEMP.
 O/C OPEN/CLOSED SYSTEM
 V MOUNTING POS.
 20 YEARS WARRANTY

PRODUCT NAME	DIMENSIONS			PIPE CENTRES mm	WALL TO PIPE CENTRE mm	WALL TO FACE mm	WATER CONTENT lit	GROSS WEIGHT kg	FUEL OPTIONS E/H/D	PIPES OR SECTIONS	HEAT OUTPUT AT ΔT 50		FINISHES	
	Height mm	Length mm	Depth mm								BTU	Watts	Brushed Matt S	Polished P
MER10	1000	330	40	290	75-90	95-110	4.10	8.6	E/H/D	21	1766	517	✓	✓
MER15	1500	330	40	290	75-90	95-110	6.19	12.6	E/H/D	32	2497	731	✓	✓
MER18	1800	330	40	290	75-90	95-110	7.48	15.1	E/H/D	39	3173	929	✓	✓
MER20	2000	330	40	290	75-90	95-110	8.29	16.6	E/H/D	43	3532	1034	✓	✓



MERIDIEN TECHNICAL DRAWING



We recommend the 3 Bar Safety Valve for all ELECTRIC ONLY (E) products. Dual Fuel is possible either by use of "T" piece and radiator valve or by use of ONE850 or ONE851 (4 way valve)

Meridien is available in brushed matt and polished finishes.

MODEL SHOWN: MER100-S (Brushed Matt)

MYSTIC L

This is no illusion.

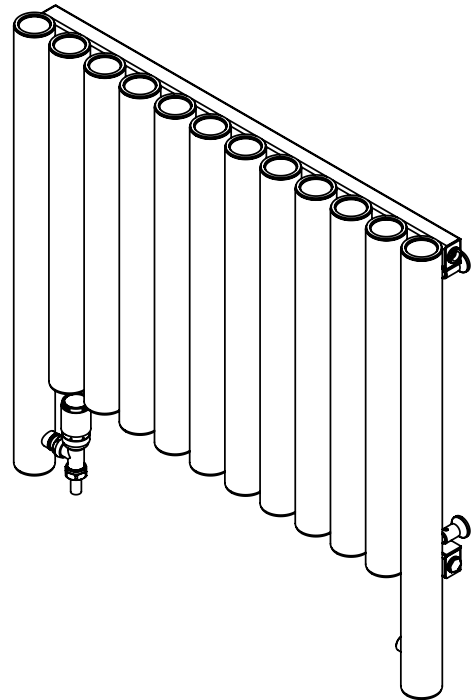
The cleverly designed tubular columns appear to hang in the air, while the heat generated is nothing short of miraculous. Ethereal elegance meets stylish stainless steel.

SS MATERIAL
 SP FINISH
 10bar WORKING PRESSURE
 120 °C WORKING TEMP.
 OC OPEN/CLOSED SYSTEM
 V MOUNTING POS.
 20 YEARS WARRANTY

PRODUCT NAME	DIMENSIONS			PIPE CENTRES mm	WALL TO PIPE CENTRE mm	WALL TO FACE mm	WATER CONTENT lit	GROSS WEIGHT kg	FUEL OPTIONS E/H/D	PIPES OR SECTIONS	HEAT OUTPUT AT ΔT 50		FINISHES	
	Height mm	Length mm	Depth mm								BTU	Watts	Brushed Matt S	Polished P
MYL808	780	550	90	320	40-55	115-130	4.40	28.0	E/H/D	16	2842	832	✓	✓
MYL809	780	620	90	390	40-55	115-130	4.95	31.2	E/H/D	18	3197	936	✓	✓
MYL810	780	690	90	460	40-55	115-130	5.50	34.4	E/H/D	20	3552	1040	✓	✓
MYL812	780	830	90	600	40-55	115-130	6.60	40.7	E/H/D	24	4263	1248	✓	✓
MYL814	780	970	90	740	40-55	115-130	7.70	47.1	E/H/D	28	4973	1456	✓	✓
MYL816	780	1110	90	880	40-55	115-130	8.80	53.4	H	32	5684	1664	✓	✓
MYL820	780	1390	90	1160	40-55	115-130	11.00	66.1	H	40	7104	2080	✓	✓



MYSTIC L TECHNICAL DRAWING



We recommend the 3 Bar Safety Valve for all ELECTRIC ONLY (E) products. Dual Fuel is possible either by use of "T" piece and radiator valve or by use of ONE850 or ONE851 (4 way valve)

Mystic L is available in brushed matt and polished finishes.

Mystic E is available in brushed matt and polished finishes.

MODEL SHOWN: MYE608-S (Brushed Matt)



MYSTIC E

Add the perfect finishing touch to any room.

The vertical stainless steel tubes create a soft aesthetic appeal. Designed for style with a superb heat output.

SS MATERIAL
 SP FINISH
 10 WORKING PRESSURE
 120 °C WORKING TEMP.
 OC OPEN/CLOSED SYSTEM
 VH MOUNTING POS.
 20 YEARS WARRANTY

PRODUCT NAME	DIMENSIONS			PIPE CENTRES mm	WALL TO PIPE CENTRE mm	WALL TO FACE mm	WATER CONTENT lt	GROSS WEIGHT kg	FUEL OPTIONS E/H/D	PIPES OR SECTIONS	HEAT OUTPUT AT ΔT 50		FINISHES	
	Height mm	Length mm	Depth mm								BTU	Watts	Brushed Matt S	Polished P
MYE405	400	340	90	280	40-55	115-130	1.62	12.0	E/H/D	10	1127	330	✓	✓
MYE406	400	410	90	350	40-55	115-130	2.15	14.1	E/H/D	12	1353	396	✓	✓
MYE407	400	480	90	420	40-55	115-130	2.51	16.3	E/H/D	14	1578	462	✓	✓
MYE408	400	550	90	490	40-55	115-130	2.87	18.5	E/H/D	16	1803	528	✓	✓
MYE409	400	620	90	560	40-55	115-130	3.23	20.7	E/H/D	18	2029	594	✓	✓
MYE410	400	690	90	630	40-55	115-130	3.59	22.8	E/H/D	20	2254	660	✓	✓
MYE412	400	830	90	770	40-55	115-130	4.31	27.2	E/H/D	24	2705	792	✓	✓
MYE414	400	970	90	910	40-55	115-130	5.03	31.5	E/H/D	28	3156	924	✓	✓
MYE416	400	1110	90	1050	40-55	115-130	5.75	35.8	E/H/D	32	3607	1056	✓	✓
MYE605	600	340	90	280	40-55	115-130	2.43	16.3	E/H/D	10	1691	495	✓	✓
MYE606	600	410	90	350	40-55	115-130	3.23	19.3	E/H/D	12	2029	594	✓	✓
MYE607	600	480	90	420	40-55	115-130	3.77	22.3	E/H/D	14	2367	693	✓	✓
MYE608	600	550	90	490	40-55	115-130	4.31	25.3	E/H/D	16	2705	792	✓	✓
MYE609	600	620	90	560	40-55	115-130	4.85	28.3	E/H/D	18	3043	891	✓	✓
MYE610	600	690	90	630	40-55	115-130	5.39	31.3	E/H/D	20	3381	990	✓	✓
MYE612	600	830	90	770	40-55	115-130	6.47	37.3	E/H/D	24	4058	1188	✓	✓
MYE614	600	970	90	910	40-55	115-130	7.55	43.3	E/H/D	28	4734	1386	✓	✓
MYE616	600	1110	90	1050	40-55	115-130	8.62	49.4	E/H/D	32	5410	1584	✓	✓
MYE154	1500	270	90	210	40-55	115-130	4.97	29.2	E/H/D	8	3429	1004	✓	✓
MYE155	1500	340	90	280	40-55	115-130	6.21	35.9	E/H/D	10	4287	1255	✓	✓
MYE156	1500	410	90	350	40-55	115-130	7.46	42.7	E/H/D	12	5144	1506	✓	✓
MYE158	1500	550	90	490	40-55	115-130	9.94	56.1	E/H/D	16	6859	2008	✓	✓
MYE184	1800	270	90	210	40-55	115-130	5.82	34.4	E/H/D	8	4085	1196	✓	✓
MYE185	1800	340	90	280	40-55	115-130	7.30	42.4	E/H/D	10	5106	1495	✓	✓
MYE204	2000	270	90	210	40-55	115-130	6.42	38.0	E/H/D	8	4550	1332	✓	✓
MYE205	2000	340	90	280	40-55	115-130	8.04	46.8	E/H/D	10	5687	1665	✓	✓
MYE206	2000	410	90	350	40-55	115-130	9.67	55.6	E/H/D	12	6824	1998	✓	✓
MYE207	2000	480	90	420	40-55	115-130	11.29	64.4	E/H/D	14	7962	2331	✓	✓
MYE208	2000	550	90	490	40-55	115-130	12.91	73.3	E/H/D	16	9099	2664	✓	✓

We recommend the 3 Bar Safety Valve for all ELECTRIC ONLY (E) products. Dual Fuel is possible either by use of "T" piece and radiator valve or by use of ONE850 or ONE851 (4 way valve)



Ottoman is available in brushed matt and polished finishes.

MODEL SHOWN: OTT1760-S (Brushed Matt)

MODEL SHOWN: OTT1760-S-OGT17-LLO
(Brushed Matt finish with Glass Top and LED Lighting Kit)

OTTOMAN

Strong and sturdy.

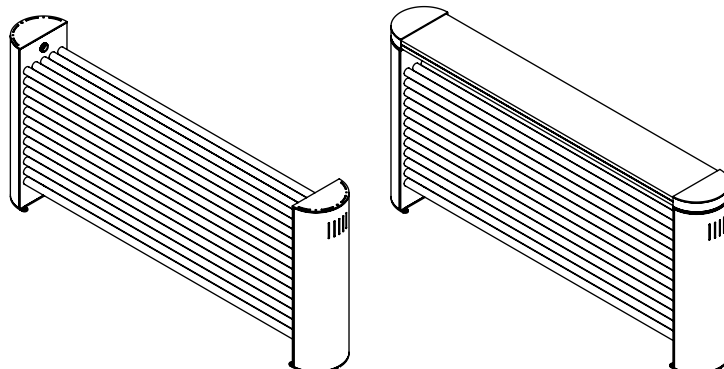
Evoking the powerful era of Turkish history for which it is named, this radiator will easily heat a whole room, while optional LED lights and a glass top plate create an arresting transformation after-dark.

SS MATERIAL
 S/P FINISH
 10 bar WORKING PRESSURE
 120 °C WORKING TEMP.
 O/C OPEN/CLOSED SYSTEM
 FS MOUNTING POS.
 20 YEARS WARRANTY

PRODUCT NAME	DIMENSIONS			PIPE CENTRES	WALL TO PIPE CENTRE	WALL TO FACE	WATER CONTENT	GROSS WEIGHT	FUEL OPTIONS	PIPES OR SECTIONS	HEAT OUTPUT AT ΔT 50		FINISHES			
	Height mm	Length mm	Depth mm								mm	mm	mm	lt	kg	E/H/D
OTTI027	500	970	170	710	FS	FS	8.06	34.6	H	27	5356	1571	✓	✓		
OTTI031	500	970	170	710	FS	FS	8.95	36.6	H	31	6037	1771	✓	✓		
OTTI049	500	970	170	710	FS	FS	12.91	45.5	H	49	8949	2624	✓	✓		
OTTI060	500	970	170	710	FS	FS	15.33	50.9	H	60	13423	3936	✓	✓		
OTTI227	500	1170	170	910	FS	FS	9.27	39.0	H	27	6695	1963	✓	✓		
OTTI231	500	1170	170	910	FS	FS	10.33	41.5	H	31	7547	2213	✓	✓		
OTTI249	500	1170	170	910	FS	FS	15.10	52.6	H	49	11187	3281	✓	✓		
OTTI260	500	1170	170	910	FS	FS	18.02	59.4	H	60	16779	4920	✓	✓		
OTTI527	500	1470	170	1210	FS	FS	11.61	45.7	H	27	8703	2552	✓	✓		
OTTI531	500	1470	170	1210	FS	FS	13.02	48.9	H	31	9811	2877	✓	✓		
OTTI549	500	1470	170	1210	FS	FS	19.35	63.3	H	49	14543	4265	✓	✓		
OTTI560	500	1470	170	1210	FS	FS	23.22	72.1	H	60	21812	6397	✓	✓		
OTTI727	500	1670	170	1410	FS	FS	12.68	50.1	H	27	9372	2748	✓	✓		
OTTI731	500	1670	170	1410	FS	FS	14.24	53.8	H	31	10504	3080	✓	✓		
OTTI749	500	1670	170	1410	FS	FS	21.28	70.4	H	49	15565	4564	✓	✓		
OTTI760	500	1670	170	1410	FS	FS	25.59	80.5	H	60	23351	6848	✓	✓		
OGT10	24	820	170	Glass Top Kit for OTTI027 / 1031 / 1049 / 1060			11.4							✓	✓	
OGT12	24	1020	170	Glass Top Kit for OTTI227 / 1231 / 1249 / 1260			13.6							✓	✓	
OGT15	24	1320	170	Glass Top Kit for OTTI527 / 1531 / 1549 / 1560			17.0							✓	✓	
OGT17	24	1520	170	Glass Top Kit for OTTI727 / 1731 / 1749 / 1760			19.1							✓	✓	
LLO				LED Light Kit for Ottoman Glass Top - Pair			2.1							✓		

The Glass Top Kits For Ottoman Comes With Either A Brushed Matt Or Polished Edging.

OTTOMAN TECHNICAL DRAWINGS



PANACEA E

A cure for all your chills.

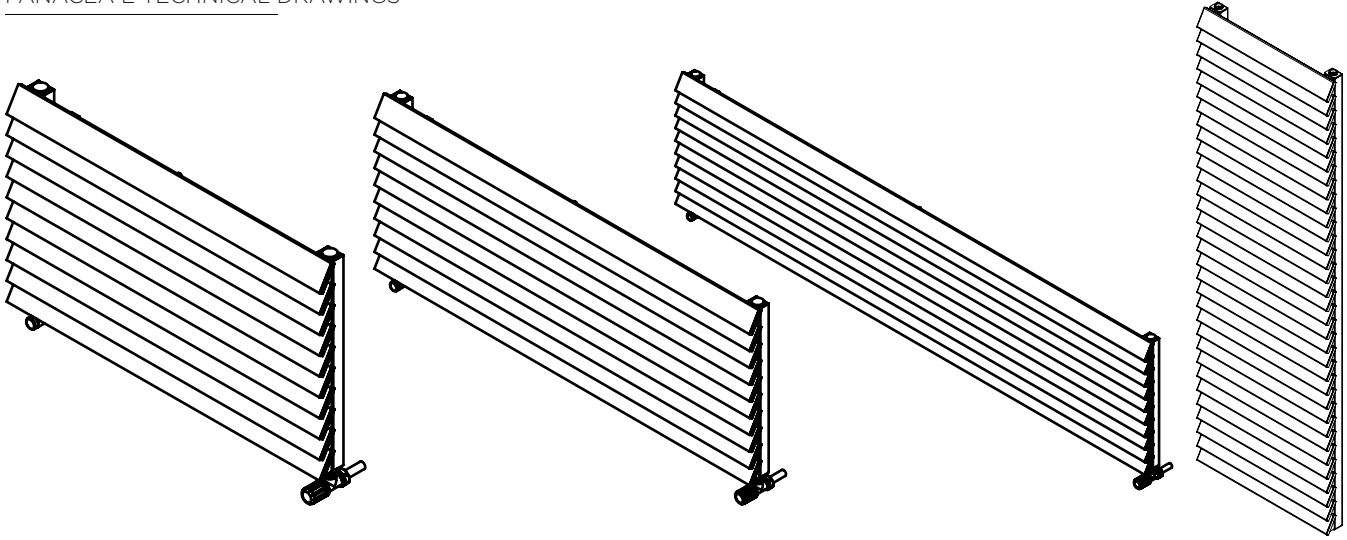
Alluring, understated elegance; the low-slung radiator sits unobtrusively against the wall, throwing out plenty of heat without feeling the need to shout about it.

SS MATERIAL
 SP FINISH
 3bar WORKING PRESSURE
 120 °C WORKING TEMP.
 OC OPEN/CLOSED SYSTEM
 VH MOUNTING POS.
 20 YEARS WARRANTY

PRODUCT NAME	DIMENSIONS			PIPE CENTRES	WALL TO PIPE CENTRE	WALL TO FACE	WATER CONTENT	GROSS WEIGHT	FUEL OPTIONS	PIPES OR SECTIONS	HEAT OUTPUT AT ΔT 50		FINISHES	
	Height mm	Length mm	Depth mm								mm	mm	mm	lit
PANE0504	480	400	70	340	50-60	105-115	2.47	11.8	E/H/D	10	1147	336	✓	✓
PANE0505	480	500	70	440	50-60	105-115	2.86	13.8	E/H/D	10	1434	420	✓	✓
PANE0506	480	600	70	540	50-60	105-115	3.26	15.9	E/H/D	10	1721	504	✓	✓
PANE0507	480	700	70	640	50-60	105-115	3.66	18.0	E/H/D	10	2008	588	✓	✓
PANE0508	480	800	70	740	50-60	105-115	4.06	20.1	E/H/D	10	2295	672	✓	✓
PANE0509	480	900	70	840	50-60	105-115	4.46	22.1	E/H/D	10	2582	756	✓	✓
PANE0510	480	1000	70	940	50-60	105-115	4.86	24.2	E/H/D	10	2869	840	✓	✓
PANE0512	480	1200	70	1140	50-60	105-115	5.66	28.4	E/H/D	10	3442	1008	✓	✓
PANE0514	480	1400	70	1340	50-60	105-115	6.46	32.5	E/H/D	10	4016	1176	✓	✓
PANE0515	480	1500	70	1440	50-60	105-115	6.85	34.6	E/H/D	10	4303	1260	✓	✓
PANE0516	480	1600	70	1540	50-60	105-115	7.25	36.7	E/H/D	10	4590	1344	✓	✓
PANE0517	480	1700	70	1640	50-60	105-115	7.65	38.7	E/H/D	10	4877	1428	✓	✓
PANE0518	480	1800	70	1740	50-60	105-115	8.05	40.8	E/H/D	10	5163	1512	✓	✓
PANE0520	480	2000	70	1940	50-60	105-115	8.85	45.0	E/H/D	10	5737	1680	✓	✓
PANE0604	620	400	70	340	50-60	105-115	3.20	14.8	E/H/D	13	1492	437	✓	✓
PANE0605	620	500	70	440	50-60	105-115	3.72	17.5	E/H/D	13	1865	546	✓	✓
PANE0606	620	600	70	540	50-60	105-115	4.24	20.2	E/H/D	13	2238	655	✓	✓
PANE0607	620	700	70	640	50-60	105-115	4.76	22.8	E/H/D	13	2610	764	✓	✓
PANE0608	620	800	70	740	50-60	105-115	5.27	25.5	E/H/D	13	2983	874	✓	✓
PANE0609	620	900	70	840	50-60	105-115	5.79	28.2	E/H/D	13	3356	983	✓	✓
PANE0610	620	1000	70	940	50-60	105-115	6.31	30.8	E/H/D	13	3729	1092	✓	✓
PANE0612	620	1200	70	1140	50-60	105-115	7.35	36.2	E/H/D	13	4475	1310	✓	✓
PANE0614	620	1400	70	1340	50-60	105-115	8.39	41.5	E/H/D	13	5221	1529	✓	✓
PANE0615	620	1500	70	1440	50-60	105-115	8.91	44.2	E/H/D	13	5594	1638	✓	✓
PANE0616	620	1600	70	1540	50-60	105-115	9.42	46.8	E/H/D	13	5967	1747	✓	✓
PANE0617	620	1700	70	1640	50-60	105-115	9.94	49.5	E/H/D	13	6340	1856	✓	✓
PANE0618	620	1800	70	1740	50-60	105-115	10.46	52.2	E/H/D	13	6713	1966	✓	✓
PANE0620	620	2000	70	1940	50-60	105-115	11.50	57.5	E/H/D	13	7458	2184	✓	✓
PANE1004	1035	400	70	340	50-60	105-115	5.40	24.0	E/H/D	22	2524	739	✓	✓
PANE1005	1035	500	70	440	50-60	105-115	6.27	28.5	E/H/D	22	3155	924	✓	✓
PANE1006	1035	600	70	540	50-60	105-115	7.15	32.9	E/H/D	22	3787	1109	✓	✓
PANE1204	1175	400	70	340	50-60	105-115	6.13	27.1	E/H/D	25	2869	840	✓	✓
PANE1205	1175	500	70	440	50-60	105-115	7.13	32.2	E/H/D	25	3586	1050	✓	✓
PANE1206	1175	600	70	540	50-60	105-115	8.13	37.2	E/H/D	25	4303	1260	✓	✓
PANE1504	1500	400	70	340	50-60	105-115	7.84	34.3	E/H/D	32	3672	1075	✓	✓
PANE1505	1500	500	70	440	50-60	105-115	9.12	40.7	E/H/D	32	4590	1344	✓	✓
PANE1506	1500	600	70	540	50-60	105-115	10.40	47.1	E/H/D	32	5508	1613	✓	✓

PRODUCT NAME	DIMENSIONS			PIPE CENTRES mm	WALL TO PIPE CENTRE mm	WALL TO FACE mm	WATER CONTENT lt	GROSS WEIGHT kg	FUEL OPTIONS E/H/D	PIPES OR SECTIONS	HEAT OUTPUT AT ΔT 50		FINISHES	
	Height mm	Length mm	Depth mm								BTU	Watts	Brushed Matt S	Polished P
PANE1804	1825	400	70	340	50-60	105-115	9.55	41.5	E/H/D	39	4475	1310	✓	✓
PANE1805	1825	500	70	440	50-60	105-115	11.11	49.3	E/H/D	39	5594	1638	✓	✓
PANE1806	1825	600	70	540	50-60	105-115	12.67	57.1	E/H/D	39	6713	1966	✓	✓
PANE2004	2015	400	70	340	50-60	105-115	10.54	45.6	E/H/D	43	4934	1445	✓	✓
PANE2005	2015	500	70	440	50-60	105-115	12.26	54.2	E/H/D	43	6167	1806	✓	✓
PANE2006	2015	600	70	540	50-60	105-115	13.97	62.8	E/H/D	43	7401	2167	✓	✓

PANACEA E TECHNICAL DRAWINGS



We recommend the 3 Bar Safety Valve for all ELECTRIC ONLY (E) products. Dual Fuel is possible either by use of "T" piece and radiator valve or by use of ONE850 or ONE851 (4 way valve)

Panacea E is available in brushed matt and polished finishes.

MODEL SHOWN: PANE0512-S (Brushed Matt)

Panacea Mirror is available in brushed matt and polished finishes.

MODEL SHOWN: PANM1806-S with PANMTR6-S
(Brushed Matt)



PANACEA MIRROR

Need heat? And light? And reflection?

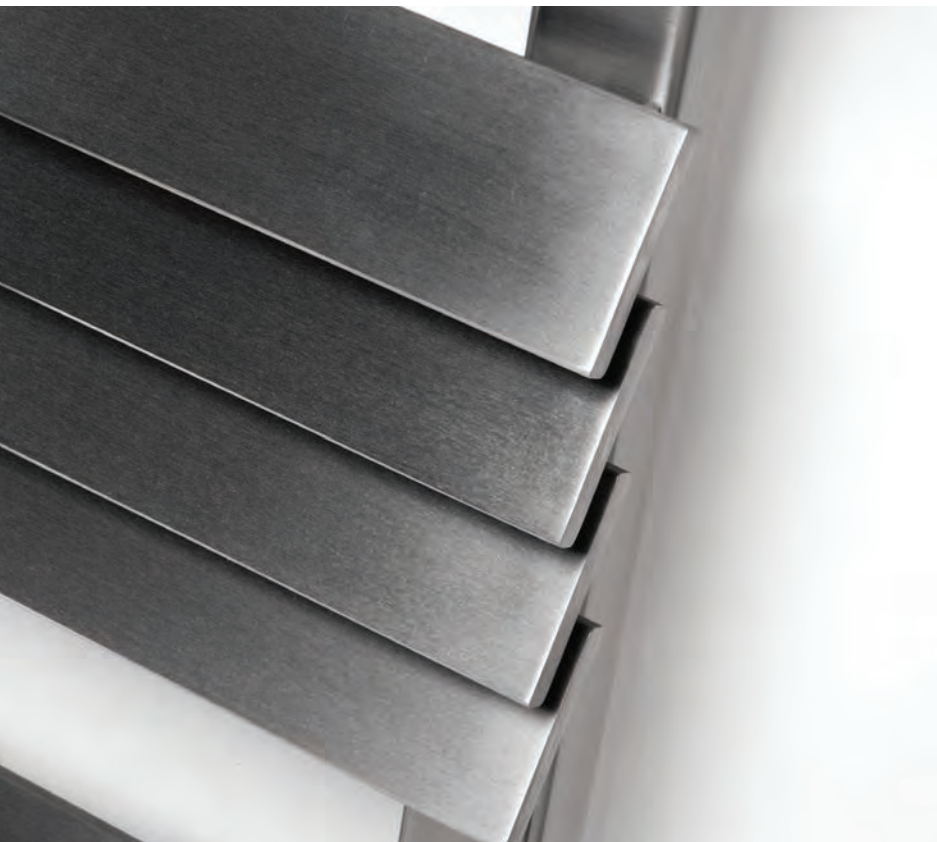
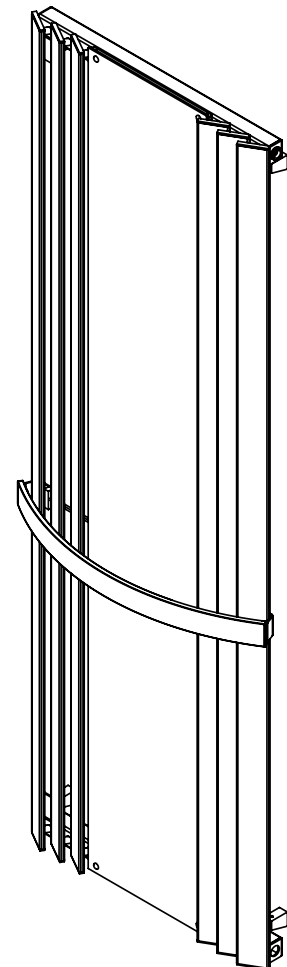
Meet Panacea Mirror – your universal solution. Combining a full-length mirror with attractive louvre-style heated bars and LED lights, this statement piece is perfect for bathrooms, bedrooms and getting ready for a great night out.

Middle Mirror with White LED

SS MATERIAL
 S/P FINISH
 3bar WORKING PRESSURE
 120 °C WORKING TEMP.
 O/C OPEN/CLOSED SYSTEM
 V MOUNTING POS.
 20 YEARS WARRANTY

PRODUCT NAME	DIMENSIONS			PIPE CENTRES	WALL TO PIPE CENTRE	WALL TO FACE	WATER CONTENT	GROSS WEIGHT	FUEL OPTIONS	PIPES OR SECTIONS	HEAT OUTPUT AT ΔT 50		FINISHES	
	Height mm	Length mm	Depth mm								mm	mm	mm	lt
PANM1806	1800	600	70	50-675	45-60	100-115	5.41	52.7	E/H/D	6	3002	879	✓	✓
PANMTR6 (Towel Rail)	650	50	95					2.7					✓	✓

PANACEA MIRROR TECHNICAL DRAWING



We recommend the 3 Bar Safety Valve for all ELECTRIC ONLY (E) products. Dual Fuel is possible either by use of "T" piece and radiator valve or by use of ONE850 or ONE851 (4 way valve)

Technical specifications are subject to change without prior notice.

Tel: +44 (0)1908 271155 Web: www.aeon.uk.com

MODEL SHOWN: PAG515-60 (Brushed Matt)



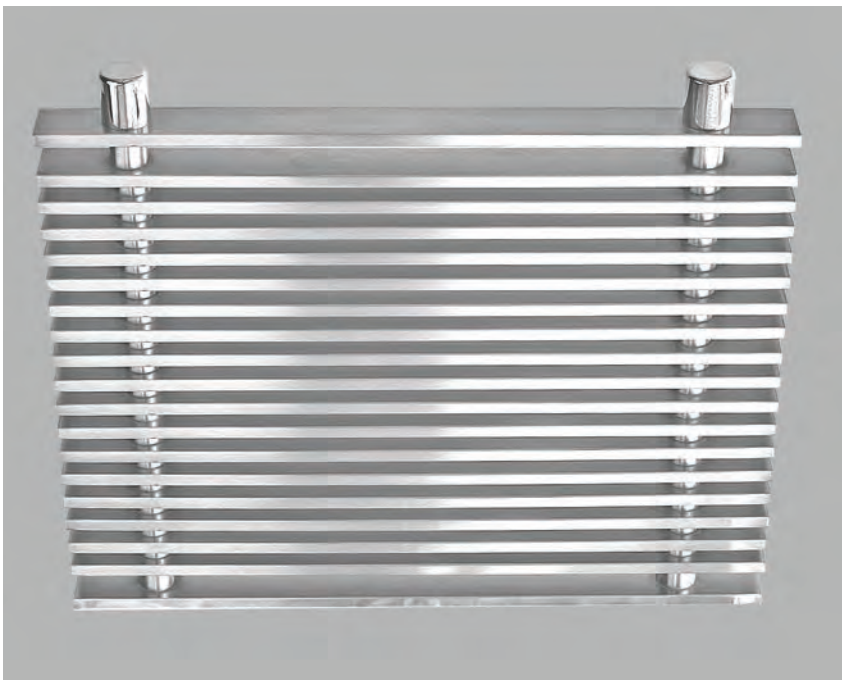
PEGASUS

Let your interior design soar with Pegasus.

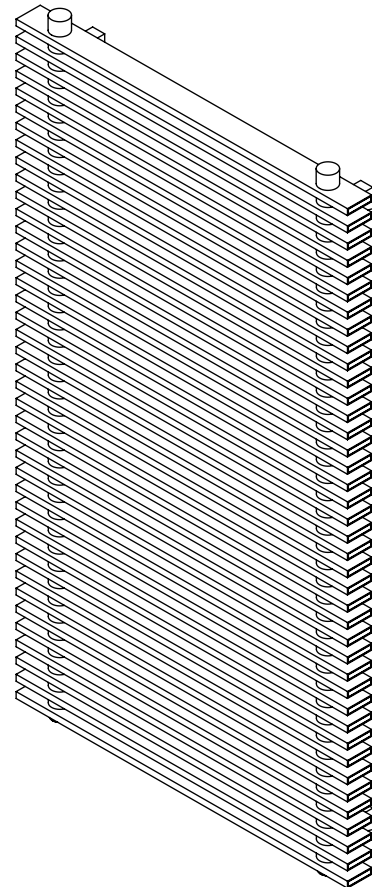
Tiered against the wall to create an unusual, slimline look, uncompromising hard edges dissect gorgeously smooth poles. It's a statement piece and then some.

SS MATERIAL
 S/P FINISH
 10 bar WORKING PRESSURE
 120 °C WORKING TEMP.
 O/C OPEN/CLOSED SYSTEM
 V/H MOUNTING POS.
 20 YEARS WARRANTY

PRODUCT NAME	DIMENSIONS			PIPE CENTRES mm	WALL TO PIPE CENTRE mm	WALL TO FACE mm	WATER CONTENT lt	GROSS WEIGHT kg	FUEL OPTIONS E/H/D	PIPES OR SECTIONS	HEAT OUTPUT AT ΔT 50		FINISHES	
	Height mm	Length mm	Depth mm								BTU	Watts	Brushed Matt S	Polished P
PAG505-20	510	550	40	445	65-80	85-100	3.08	18.0	E/H/D	20	3039	890	✓	✓
PAG510-40	1010	550	40	445	65-80	85-100	6.16	35.3	E/H/D	40	6079	1780	✓	✓
PAG515-60	1510	550	40	445	65-80	85-100	9.25	52.4	E/H/D	60	9118	2670	✓	✓



PEGASUS TECHNICAL DRAWING



We recommend the 3 Bar Safety Valve for all ELECTRIC ONLY (E) products. Dual Fuel is possible either by use of "T" piece and radiator valve or by use of ONE850 or ONE851 (4 way valve)

Pegasus is available in brushed matt and polished finishes.

MODEL SHOWN: Illustration Purposes Only



We recommend the 3 Bar Safety Valve for all ELECTRIC ONLY (E) products. Dual Fuel is possible either by use of "T" piece and radiator valve or by use of ONE850 or ONE851 (4 way valve)

Podium is available in brushed matt and polished finishes.

MODEL SHOWN: POD412-S (Brushed Matt)

PODIUM

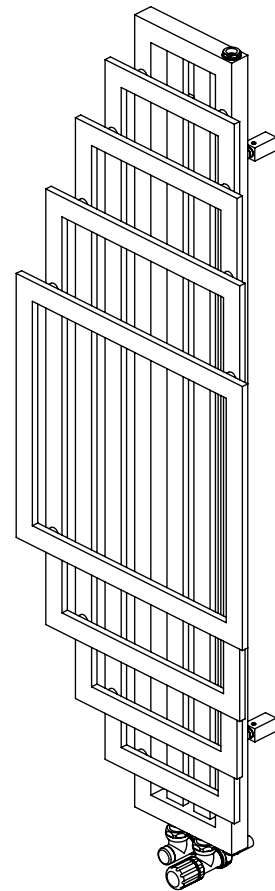
A design that wins bronze, silver and gold.
This unusual, yet pleasing combination of squares and vertical lines draws the eye
and lightens the mood.

SS MATERIAL
 S/P FINISH
 10 WORKING PRESSURE
 120°C WORKING TEMP.
 O/C OPEN/CLOSED SYSTEM
 V MOUNTING POS.
 20 YEARS WARRANTY

PRODUCT NAME	DIMENSIONS			PIPE CENTRES	WALL TO PIPE CENTRE	WALL TO FACE	WATER CONTENT	GROSS WEIGHT	FUEL OPTIONS	PIPES OR SECTIONS	HEAT OUTPUT AT ΔT 50		FINISHES	
	Height mm	Length mm	Depth mm								mm	mm	mm	lt
POD412	1200	400	130	50	70-85	165-180	4.10	15.5	E/H/D	22	2288	670	✓	✓

A MAGNIFICENT
DECORATIVE EFFECT IN
EVERY ROOM

PODIUM TECHNICAL DRAWING



We recommend the 3 Bar Safety Valve for all ELECTRIC ONLY (E) products. Dual Fuel is possible either by use of "T" piece and radiator valve or by use of ONE850 or ONE851 (4 way valve)

Rende is available in a brushed matt finish.

MODEL SHOWN: RENV520-S (Brushed Matt)



RENDE

Reach for the sky.

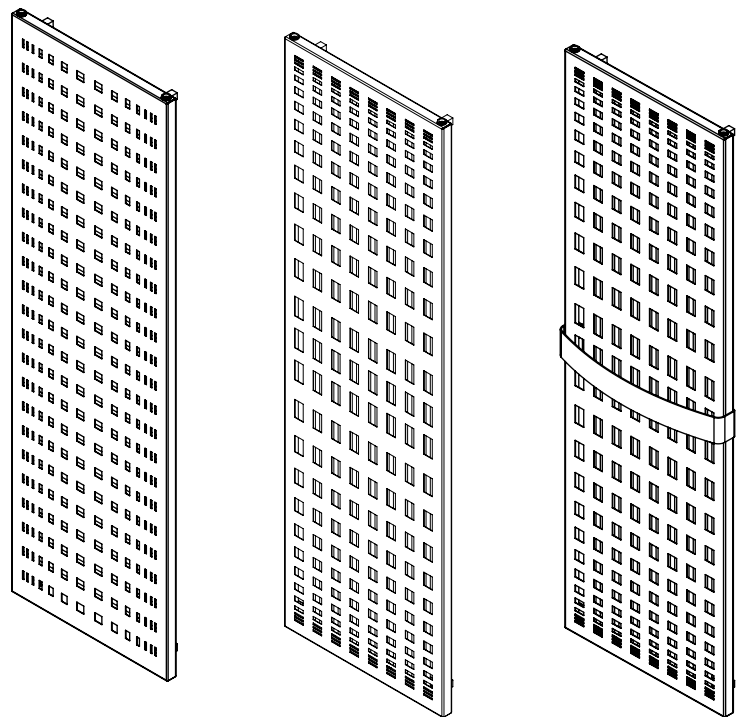
Reminiscent of the high-rise silhouettes of a New York skyline, the modulating cut-outs create the illusion of a rolling convex curve. Modern art meets up-to-the minute technology as this dramatic super-size radiator commands prime position in your space.

SS MATERIAL
 S FINISH
 10 WORKING PRESSURE
 120 °C WORKING TEMP.
 O/C OPEN/CLOSED SYSTEM
 V/H MOUNTING POS.
 20 YEARS WARRANTY

PRODUCT NAME	DIMENSIONS			PIPE CENTRES	WALL TO PIPE CENTRE	WALL TO FACE	WATER CONTENT	GROSS WEIGHT	FUEL OPTIONS	PIPES OR SECTIONS	HEAT OUTPUT AT ΔT 50		FINISHES
	Height mm	Length mm	Depth mm								mm	mm	
RENV518	1800	560	33	50-520	65-80	85-100	4.68	34.8	E/H/D	11	2367	693	✓
RENV520	2000	560	33	50-520	65-80	85-100	5.40	39.3	E/H/D	11	2606	763	✓
RENH518	1800	560	33	50-520	65-80	85-100	4.68	35.2	E/H/D	27	2261	662	✓
RENH520	2000	560	33	50-520	65-80	85-100	5.40	38.3	E/H/D	27	2489	729	✓
RENTB50	80	560	100					2.6					✓

RENDE TECHNICAL DRAWINGS

NEW YORK
SKYLINE
INSPIRATION.
DRAMATIC
ILLUSION





Skuall is available in a brushed matt finish.

MODEL SHOWN: SKL123-20-S (Brushed Matt)

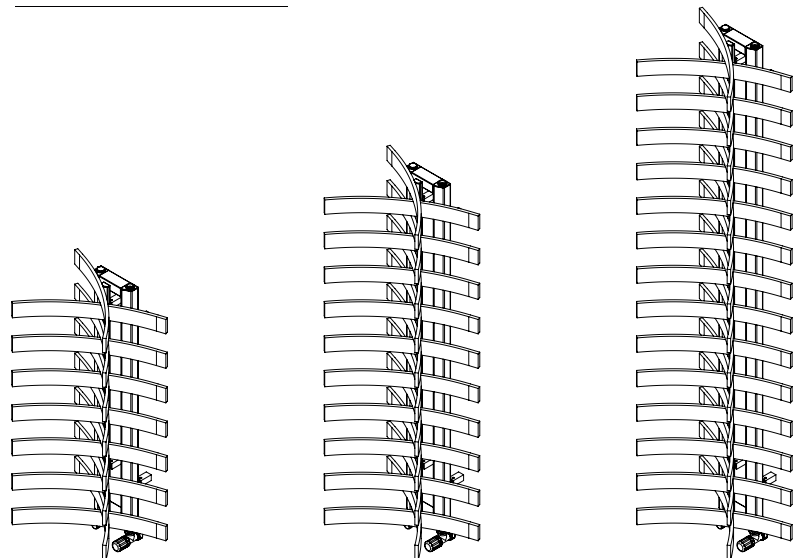
SKUALL

Revel in warmth as the light dances across the intersecting curves of this stunning design.
The perfect way to breathe life into any cold space.

SS MATERIAL
 S/P FINISH
 10 WORKING PRESSURE
 120 °C WORKING TEMP.
 O/C OPEN/CLOSED SYSTEM
 V MOUNTING POS.
 20 YEARS WARRANTY

PRODUCT NAME	DIMENSIONS			PIPE CENTRES	WALL TO PIPE CENTRE	WALL TO FACE	WATER CONTENT	GROSS WEIGHT	FUEL OPTIONS	PIPES OR SECTIONS	HEAT OUTPUT AT ΔT 50		FINISHES	
	Height mm	Length mm	Depth mm								mm	mm	lt	kg
SKL083-13	770	370	260	118-50	70-85	305-315	3.52	14.3	E/H/D	14	1602	469	✓	✓
SKL123-20	1190	370	260	118-50	70-85	305-315	5.35	18.9	E/H/D	20	2449	717	✓	✓
SKL163-27	1610	370	260	118-50	70-85	305-315	7.18	24.7	E/H/D	28	3337	977	✓	✓

SKUALL TECHNICAL DRAWINGS



DANCE THE HEAT AND LIGHT ACROSS THE ROOM

We recommend the 3 Bar Safety Valve for all ELECTRIC ONLY (E) products. Dual Fuel is possible either by use of "T" piece and radiator valve or by use of ONE850 or ONE851 (4 way valve)

We recommend the 3 Bar Safety Valve for all ELECTRIC ONLY (E) products. Dual Fuel is possible either by use of "T" piece and radiator valve or by use of ONE850 or ONE851 (4 way valve)

Sofi is available in a polished finish.

MODEL SHOWN: SS2005-P (Polished)



SOFI

The wisdom of this design is its simplicity.

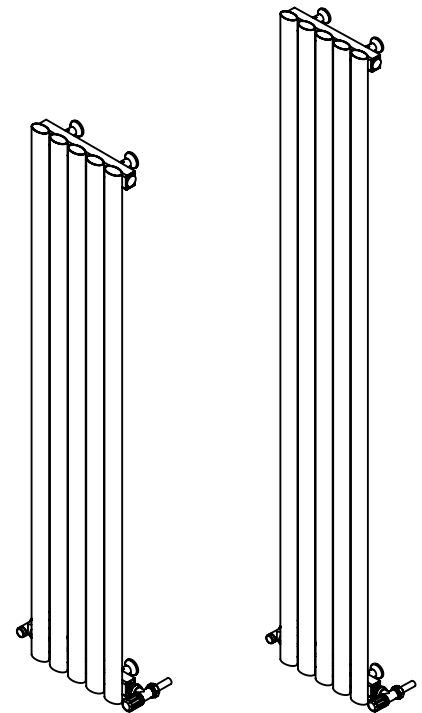
Sofi generates a large amount of heat, while its soaring poles – available in brushed or polished stainless steel – leave a curiously soft impression.

SS MATERIAL
 P FINISH
 10 WORKING PRESSURE
 120 °C WORKING TEMP.
 O/C OPEN/CLOSED SYSTEM
 V/H MOUNTING POS.
 20 YEARS WARRANTY

PRODUCT NAME	DIMENSIONS			PIPE CENTRES	WALL TO PIPE CENTRE	WALL TO FACE	WATER CONTENT	GROSS WEIGHT	FUEL OPTIONS	PIPES OR SECTIONS	HEAT OUTPUT AT ΔT 50		FINISHES
	Height mm	Length mm	Depth mm								mm	mm	
SS1505	1500	292	60	382-1590	45	86	6.30	13.0	E/H/D	5	1878	550	✓
SS2005	2000	292	60	382-1590	45	86	8.40	17.3	E/H/D	5	2507	734	✓



SOFI TECHNICAL DRAWINGS





We recommend the 3 Bar Safety Valve for all ELECTRIC ONLY (E) products. Dual Fuel is possible either by use of "T" piece and radiator valve or by use of ONE850 or ONE851 (4 way valve)

Stria is available in a brushed matt and polished finishes.

MODEL SHOWN: STR2010-P (Polished)

STRIA

The kitchen is the hub of the home.
Make it warm and cosy with this stainless-steel beauty, designed to perch elegantly on the wall while emitting its welcome heat.

SS MATERIAL
 SP FINISH
 10 WORKING PRESSURE
 120 C WORKING TEMP.
 CC CLOSED SYSTEM
 VH MOUNTING POS.
 20 YEARS WARRANTY

PRODUCT NAME	DIMENSIONS			PIPE CENTRES mm	WALL TO PIPE CENTRE mm	WALL TO FACE mm	WATER CONTENT lt	GROSS WEIGHT kg	FUEL OPTIONS E/H/D	PIPES OR SECTIONS	HEAT OUTPUT AT ΔT 50		FINISHES	
	Height mm	Length mm	Depth mm								BTU	Watts	Brushed Matt S	Polished P
STR616	600	425	70	395-515	75-90	95-110	3.06	15.2	E/H/D	16	2555	748	✓	✓
STR620	600	525	70	495-615	75-90	95-110	3.75	18.4	E/H/D	20	3183	932	✓	✓
STR624	600	625	70	595-715	75-90	95-110	4.44	21.6	E/H/D	24	3812	1116	✓	✓
STR636	600	925	70	895-1015	75-90	95-110	6.50	31.1	E/H/D	36	5697	1668	✓	✓
STR642	600	1075	70	1045-1165	75-90	95-110	7.53	35.9	E/H/D	42	6640	1944	✓	✓
STR648	600	1225	70	1195-1315	75-90	95-110	8.57	40.7	E/H/D	48	7583	2220	✓	✓
STR654	600	1375	70	1345-1465	75-90	95-110	9.60	45.4	E/H/D	54	8525	2496	✓	✓
STR1010	1000	275	70	245-365	75-90	95-110	3.65	15.9	E/H/D	10	2698	790	✓	✓
STR1016	1000	425	70	395-515	75-90	95-110	5.50	23.3	E/H/D	16	4276	1252	✓	✓
STR1020	1000	525	70	495-615	75-90	95-110	6.74	28.3	E/H/D	20	5328	1560	✓	✓
STR1024	1000	625	70	595-715	75-90	95-110	7.97	33.2	E/H/D	24	6380	1868	✓	✓
STR1030	1000	775	70	745-865	75-90	95-110	9.83	40.7	E/H/D	30	7958	2330	✓	✓
STR1508	1500	225	70	195	75-90	95-110	4.30	19.1	E/H/D	8	3238	948	✓	✓
STR1510	1500	275	70	245-365	75-90	95-110	5.18	22.7	E/H/D	10	4024	1178	✓	✓
STR1512	1500	325	70	295-415	75-90	95-110	6.06	26.2	E/H/D	12	4809	1408	✓	✓
STR1516	1500	425	70	395-515	75-90	95-110	7.81	33.4	E/H/D	16	6380	1868	✓	✓
STR1520	1500	525	70	495-615	75-90	95-110	9.57	40.6	E/H/D	20	7952	2328	✓	✓
STR1808	1800	225	70	195	75-90	95-110	5.06	22.5	E/H/D	8	3832	1122	✓	✓
STR1810	1800	275	70	245-365	75-90	95-110	6.09	26.7	E/H/D	10	4761	1394	✓	✓
STR1812	1800	325	70	295-415	75-90	95-110	7.12	31.0	E/H/D	12	5690	1666	✓	✓
STR1816	1800	425	70	395-515	75-90	95-110	9.18	39.5	E/H/D	16	7548	2210	✓	✓
STR1820	1800	525	70	495-615	75-90	95-110	11.25	48.0	E/H/D	20	9407	2754	✓	✓
STR2008	2000	225	70	195	75-90	95-110	5.57	24.7	E/H/D	8	4310	1262	✓	✓
STR2010	2000	275	70	245-365	75-90	95-110	6.70	29.4	E/H/D	10	5356	1568	✓	✓
STR2012	2000	325	70	295-415	75-90	95-110	7.84	34.1	E/H/D	12	6401	1874	✓	✓
STR2016	2000	425	70	395-515	75-90	95-110	10.11	43.5	E/H/D	16	8491	2486	✓	✓
STR2020	2000	525	70	495-615	75-90	95-110	12.38	52.9	E/H/D	20	10582	3098	✓	✓



Sumela is available in a brushed matt and other finishes for the pillars.

MODEL SHOWN: SUML718-S (Brushed Matt)

SUMELA

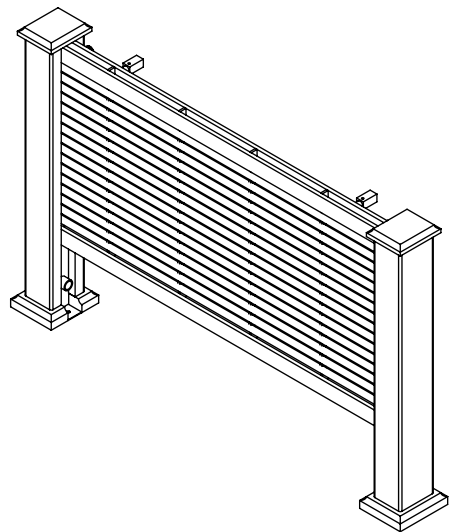
This low, horizontal radiator is attractive, sturdy and reliable. Its bold, industrial appearance is surprisingly versatile, fitting in with almost any interior design theme.

SS MATERIAL
 S+H FINISH
 10 bar WORKING PRESSURE
 120 °C WORKING TEMP.
 O/C CLOSED SYSTEM
 V MOUNTING POS.
 20 YEARS WARRANTY

PRODUCT NAME	DIMENSIONS			PIPE CENTRES	WALL TO PIPE CENTRE	WALL TO FACE	WATER CONTENT	GROSS WEIGHT	FUEL OPTIONS	PIPES OR SECTIONS	HEAT OUTPUT AT ΔT 50		FINISHES		
	Height mm	Length mm	Depth mm								mm	mm	mm	lt	kg
SUML710	700	945	100	715	80-95	140-155	6.03	31.9	H	36	5533	1620	✓		
SUML712	700	1090	100	860	80-95	140-155	6.79	37.3	H	36	6640	1944	✓		
SUML715	700	1590	100	1360	80-95	140-155	9.42	50.2	H	36	8115	2376	✓		
SUML718	700	1800	100	1570	80-95	140-155	10.53	56.0	H	36	8853	2592	✓		
SUML720	700	2090	100	1860	80-95	140-155	12.07	64.7	H	36	9960	2916	✓		
SPSS	Sumela Stainless Steel Pillars (Pair)							8.0						✓	
SPNA	Sumela Black Granite - Nero Assoluto Pillars (Pair)								19.0						✓
SPTC	Sumela Beige Travertine - Classico Pillars (Pair)								14.0						✓
SPCM	Sumela Beige Marble - Crema Marfil Pillars (Pair)								19.0						✓
SPVB	Sumela Green Granite - Verde Butterfly Pillars (Pair)								19.0						✓
SPLA	Sumela Brown Granite - Labrador Antique Pillars (Pair)								19.0						✓



SUMELA TECHNICAL DRAWING

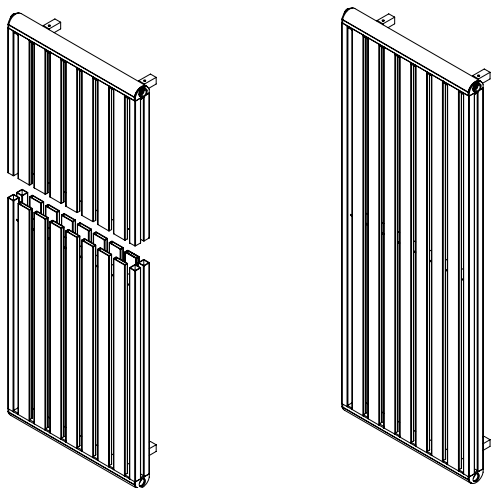




MODEL SHOWN:
SUPD183-S
(Brushed Matt)

A STUNNING
MODERN
RADIATOR
FOR ANY
CONTEMPORARY
SETTING

SUPRA DOUBLE TECHNICAL DRAWINGS



SUPRA DOUBLE

The perfect finishing touch to an ultra-modern bathroom – and why stop there?
This slim, dynamic design will enhance everyone's favourite room.

SS MATERIAL
 S|P FINISH
 10 BAR WORKING PRESSURE
 120 °C WORKING TEMP.
 O|C CLOSED SYSTEM
 V|H MOUNTING POS.
 20 YEARS WARRANTY

PRODUCT NAME	DIMENSIONS			PIPE CENTRES mm	WALL TO PIPE CENTRE mm	WALL TO FACE mm	WATER CONTENT lt	GROSS WEIGHT kg	FUEL OPTIONS E/H/D	PIPES OR SECTIONS	HEAT OUTPUT AT ΔT 50		FINISHES	
	Height mm	Length mm	Depth mm								BTU	Watts	Brushed Matt S	Polished P
SUPD45	450	550	50	640-420	80-95	105-120	3.20	16.2	E/H/D	22	2432	712	✓	✓
SUPD46	450	660	50	750-420	80-95	105-120	3.79	19.1	E/H/D	26	2910	852	✓	✓
SUPD47	450	770	50	860-420	80-95	105-120	4.39	22.0	E/H/D	30	3385	991	✓	✓
SUPD48	450	880	50	970-420	80-95	105-120	4.98	25.0	E/H/D	34	3863	1131	✓	✓
SUPD64	600	440	50	530-570	80-95	105-120	3.33	16.7	E/H/D	18	2606	763	✓	✓
SUPD65	600	550	50	640-570	80-95	105-120	4.07	20.5	E/H/D	22	3241	949	✓	✓
SUPD66	600	660	50	750-570	80-95	105-120	4.82	24.2	E/H/D	26	3877	1135	✓	✓
SUPD67	600	770	50	860-570	80-95	105-120	5.57	28.0	E/H/D	30	4512	1321	✓	✓
SUPD84	800	440	50	530-770	80-95	105-120	4.28	21.4	E/H/D	18	3518	1030	✓	✓
SUPD85	800	550	50	640-770	80-95	105-120	5.24	26.3	E/H/D	22	4375	1281	✓	✓
SUPD86	800	660	50	750-770	80-95	105-120	6.19	31.1	E/H/D	26	5233	1532	✓	✓
SUPD103	1000	330	50	420-970	80-95	105-120	4.08	20.2	E/H/D	14	3286	962	✓	✓
SUPD104	1000	440	50	530-970	80-95	105-120	5.24	26.1	H	18	4348	1273	✓	✓
SUPD105	1000	550	50	640-970	80-95	105-120	6.40	32.0	E/H/D	22	5407	1583	✓	✓
SUPD106	1000	660	50	750-970	80-95	105-120	7.56	37.9	E/H/D	26	6466	1893	✓	✓
SUPD122	1200	220	50	310-1170	80-95	105-120	3.46	16.8	H	10	2671	782	✓	✓
SUPD123	1200	330	50	420-1170	80-95	105-120	4.83	23.8	H	14	3945	1155	✓	✓
SUPD124	1200	440	50	530-1170	80-95	105-120	6.20	30.8	H	18	5216	1527	✓	✓
SUPD125	1200	550	50	640-1170	80-95	105-120	7.56	37.8	E/H/D	22	6490	1900	✓	✓
SUPD126	1200	660	50	750-1170	80-95	105-120	8.93	44.8	E/H/D	26	7760	2272	✓	✓
SUPD152	1500	220	50	310-1470	80-95	105-120	4.27	20.6	H	10	3340	978	✓	✓
SUPD153	1500	330	50	420-1470	80-95	105-120	5.95	29.2	H	14	4929	1443	✓	✓
SUPD154	1500	440	50	530-1470	80-95	105-120	7.63	37.8	H	18	6520	1909	✓	✓
SUPD155	1500	550	50	640-1470	80-95	105-120	9.31	46.4	E/H/D	22	8112	2375	✓	✓
SUPD182	1800	220	50	310-1770	80-95	105-120	5.08	24.4	H	10	4006	1173	✓	✓
SUPD183	1800	330	50	420-1770	80-95	105-120	7.07	34.6	H	14	5912	1731	✓	✓
SUPD184	1800	440	50	530-1770	80-95	105-120	9.06	44.9	H	18	7818	2289	✓	✓
SUPD185	1800	550	50	640-1770	80-95	105-120	11.06	55.1	E/H/D	22	9728	2848	✓	✓
SUPD202	2000	220	50	310-1970	80-95	105-120	5.62	26.9	H	10	4454	1304	✓	✓
SUPD203	2000	330	50	420-1970	80-95	105-120	7.82	38.2	H	14	6572	1924	✓	✓
SUPD204	2000	440	50	530-1970	80-95	105-120	10.02	49.5	H	18	8682	2542	✓	✓
SUPD205	2000	550	50	640-1970	80-95	105-120	12.22	60.9	E/H/D	22	10814	3166	✓	✓

We recommend the 3 Bar Safety Valve for all ELECTRIC ONLY (E) products. Dual Fuel is possible either by use of "T" piece and radiator valve or by use of ONE850 or ONE851 (4 way valve)

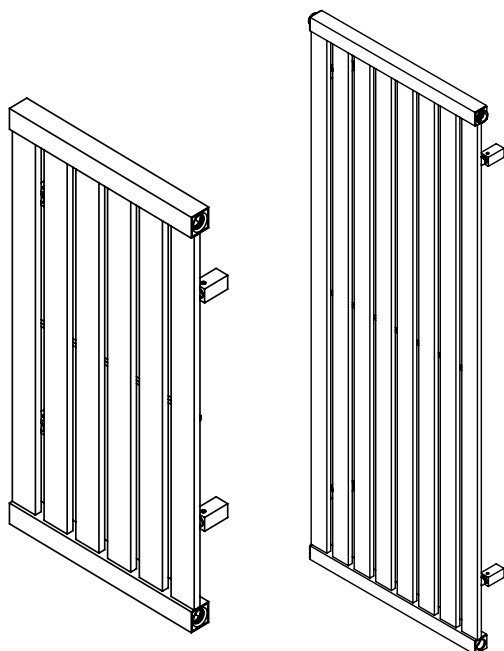
Supra is available in a brushed matt and polished finishes.

SUPRA SINGLE

SS MATERIAL
 S/P FINISH
 10 bar WORKING PRESSURE
 120 °C WORKING TEMP.
 □□ CLOSED SYSTEM
 V/H MOUNTING POS.
 20 YEARS WARRANTY

PRODUCT NAME	DIMENSIONS			PIPE CENTRES mm	WALL TO PIPE CENTRE mm	WALL TO FACE mm	WATER CONTENT lt	GROSS WEIGHT kg	FUEL OPTIONS E/H/D	PIPES OR SECTIONS	HEAT OUTPUT AT ΔT 50		FINISHES	
	Height mm	Length mm	Depth mm								BTU	Watts	Brushed Matt S	Polished P
SUPS63	600	315	30	405-570	55-70	70-85	0.95	7.3	E/H/D	6	943	276	✓	✓
SUPS64	600	425	30	515-570	55-70	70-85	1.26	9.4	E/H/D	8	1257	368	✓	✓
SUPS65	600	535	30	625-570	55-70	70-85	1.58	11.5	E/H/D	10	1728	506	✓	✓
SUPS67	600	700	30	790-570	55-70	70-85	2.06	14.7	E/H/D	13	2043	598	✓	✓
SUPS68	600	810	30	900-570	55-70	70-85	2.37	16.8	E/H/D	15	2357	690	✓	✓
SUPS104	1000	425	30	515-970	55-70	70-85	2.09	14.7	E/H/D	8	2104	616	✓	✓
SUPS105	1000	535	30	625-970	55-70	70-85	2.62	18.0	E/H/D	10	2893	847	✓	✓
SUPS107	1000	700	30	790-970	55-70	70-85	3.40	23.1	E/H/D	13	3419	1001	✓	✓
SUPS124	1200	425	30	515-1170	55-70	70-85	2.51	17.2	E/H/D	8	2541	744	✓	✓
SUPS125	1200	535	30	625-1170	55-70	70-85	3.13	21.2	E/H/D	10	3494	1023	✓	✓
SUPS127	1200	700	30	790-1170	55-70	70-85	4.08	27.2	E/H/D	13	4129	1209	✓	✓
SUPS153	1500	315	30	405-1470	55-70	70-85	2.35	16.2	E/H/D	6	2377	696	✓	✓
SUPS154	1500	425	30	515-1470	55-70	70-85	3.13	21.1	E/H/D	8	3170	928	✓	✓
SUPS155	1500	535	30	625-1470	55-70	70-85	3.91	26.1	E/H/D	10	4358	1276	✓	✓
SUPS182	1800	205	30	295-1770	55-70	70-85	1.87	13.3	H	4	1899	556	✓	✓
SUPS183	1800	315	30	405-1770	55-70	70-85	2.81	19.1	E/H/D	6	2849	834	✓	✓
SUPS184	1800	425	30	515-1770	55-70	70-85	3.75	25.0	H	8	3798	1112	✓	✓
SUPS185	1800	535	30	625-1770	55-70	70-85	4.69	30.9	H	10	5222	1529	✓	✓
SUPS202	2000	205	30	295-1970	55-70	70-85	2.08	14.6	H	4	2118	620	✓	✓
SUPS203	2000	315	30	405-1970	55-70	70-85	3.12	21.1	H	6	3177	930	✓	✓
SUPS204	2000	425	30	515-1970	55-70	70-85	4.16	27.6	H	8	4235	1240	✓	✓

SUPRA SINGLE TECHNICAL DRAWINGS



MODEL SHOWN:
SUPS63-S
(Brushed Matt)

SUPRA TRIPLE

SS MATERIAL
 S/P FINISH
 10 bar WORKING PRESSURE
 120 °C WORKING TEMP.
 OC CLOSED SYSTEM
 VH MOUNTING POS.
 20 YEARS WARRANTY

PRODUCT NAME	DIMENSIONS			PIPE CENTRES mm	WALL TO PIPE CENTRE mm	WALL TO FACE mm	WATER CONTENT lit	GROSS WEIGHT kg	FUEL OPTIONS E/H/D	PIPES OR SECTIONS	HEAT OUTPUT AT ΔT 50		FINISHES	
	Height mm	Length mm	Depth mm								BTU	Watts	Brushed Matt S	Polished P
SUPT45	450	550	70	640-420	90-105	125-140	4.64	20.8	H	31	3247	951	✓	✓
SUPT46	450	660	70	750-420	90-105	125-140	5.50	24.7	H	37	3885	1137	✓	✓
SUPT47	450	770	70	860-420	90-105	125-140	6.37	28.6	E/H/D	43	4520	1323	✓	✓
SUPT48	450	880	70	970-420	90-105	125-140	7.22	32.5	E/H/D	49	5159	1510	✓	✓
SUPT64	600	440	70	530-570	90-105	125-140	4.83	21.5	H	25	3481	1019	✓	✓
SUPT65	600	550	70	640-570	90-105	125-140	5.90	26.6	H	31	4329	1267	✓	✓
SUPT66	600	660	70	750-570	90-105	125-140	6.99	31.7	H	37	5177	1516	✓	✓
SUPT67	600	770	70	860-570	90-105	125-140	8.08	36.7	E/H/D	43	6025	1764	✓	✓
SUPT84	800	440	70	530-770	90-105	125-140	6.21	27.8	H	25	4697	1375	✓	✓
SUPT85	800	550	70	640-770	90-105	125-140	7.60	34.4	H	31	5843	1711	✓	✓
SUPT86	800	660	70	750-770	90-105	125-140	8.98	41.0	H	37	6986	2045	✓	✓
SUPT103	1000	330	70	420-970	90-105	125-140	5.92	25.9	H	19	4387	1284	✓	✓
SUPT104	1000	440	70	530-970	90-105	125-140	7.60	34.0	H	25	5806	1700	✓	✓
SUPT105	1000	550	70	640-970	90-105	125-140	9.28	42.2	H	31	7220	2114	✓	✓
SUPT106	1000	660	70	750-970	90-105	125-140	10.96	50.3	H	37	8633	2528	✓	✓
SUPT122	1200	220	70	310-1170	90-105	125-140	5.02	21.1	H	13	3566	1044	✓	✓
SUPT123	1200	330	70	420-1170	90-105	125-140	7.00	30.7	H	19	5268	1542	✓	✓
SUPT124	1200	440	70	530-1170	90-105	125-140	8.99	40.3	H	25	6964	2039	✓	✓
SUPT125	1200	550	70	640-1170	90-105	125-140	10.96	49.9	H	31	8664	2537	✓	✓
SUPT126	1200	660	70	750-1170	90-105	125-140	12.95	59.6	H	37	10360	3033	✓	✓
SUPT152	1500	220	70	310-1470	90-105	125-140	6.19	25.9	H	13	4460	1306	✓	✓
SUPT153	1500	330	70	420-1470	90-105	125-140	8.63	37.8	H	19	6581	1927	✓	✓
SUPT154	1500	440	70	530-1470	90-105	125-140	11.06	49.7	H	25	8706	2549	✓	✓
SUPT155	1500	550	70	640-1470	90-105	125-140	13.50	61.6	H	31	10831	3171	✓	✓
SUPT182	1800	220	70	310-1770	90-105	125-140	7.37	30.7	H	13	5350	1566	✓	✓
SUPT183	1800	330	70	420-1770	90-105	125-140	10.25	44.9	H	19	7895	2311	✓	✓
SUPT184	1800	440	70	530-1770	90-105	125-140	13.14	59.1	H	25	10439	3056	✓	✓
SUPT185	1800	550	70	640-1770	90-105	125-140	16.04	73.3	H	31	12986	3802	✓	✓
SUPT202	2000	220	70	310-1970	90-105	125-140	8.15	33.9	H	13	5946	1741	✓	✓
SUPT203	2000	330	70	420-1970	90-105	125-140	11.34	49.6	H	19	8773	2569	✓	✓
SUPT204	2000	440	70	530-1970	90-105	125-140	14.53	65.4	H	25	11591	3394	✓	✓
SUPT205	2000	550	70	640-1970	90-105	125-140	17.72	81.1	H	31	14436	4227	✓	✓

We recommend the 3 Bar Safety Valve for all ELECTRIC ONLY (E) products. Dual Fuel is possible either by use of "T" piece and radiator valve or by use of ONE850 or ONE851 (4 way valve)



We recommend the 3 Bar Safety Valve for all ELECTRIC ONLY (E) products. Dual Fuel is possible either by use of "T" piece and radiator valve or by use of ONE850 or ONE851 (4 way valve)

Tardis is available in a brushed matt and black finishes.

MODEL SHOWN: TAV1820 (Mild Steel)

The image above shows Tardis featuring the beautiful calligraphic signature of the Ottoman Sultan (Suleyman, the Magnificent) in a highly polished cracked gold. The signature shown is for illustrative purposes only. Tardis is a made to order with your very own image.

TARDIS

Blending artistry and function.

A truly bespoke radiator, top-class heating technology lies behind a glass front which can be printed with any high-quality picture of your choice. From a family portrait to a favourite view or a conceptual design, the possibilities are limitless – and the end result, glorious.

PRODUCT NAME	DIMENSIONS			PIPE CENTRES	WALL TO PIPE CENTRE	WALL TO FACE	WATER CONTENT	GROSS WEIGHT	FUEL OPTIONS	PIPES OR SECTIONS	HEAT OUTPUT AT ΔT 50		FINISH
	Height mm	Length mm	Depth mm								mm	mm	
TAV1820	1820	515	90	450-50	40-55	125-140	10.33	68.3	E/H/D	20	9290	2720	Brushed Matt S

Tardis in Stainless Steel features a customisable glass front

PRODUCT NAME	DIMENSIONS			PIPE CENTRES	WALL TO PIPE CENTRE	WALL TO FACE	WATER CONTENT	GROSS WEIGHT	FUEL OPTIONS	PIPES OR SECTIONS	HEAT OUTPUT AT ΔT 50		FINISH
	Height mm	Length mm	Depth mm								mm	mm	
TAT1820	1820	515	90	585-50	45	100	10.9	59.8	H	20	9156	2681	Black B

TRULY BESPOKE. THE POSSIBILITIES ARE ENDLESS

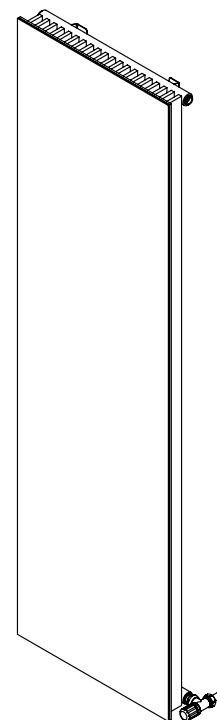
Add your own personal signature piece to any room with Tardis, exclusively Made to Order. Choose any image you desire; a family portrait, a photo montage of favourite memories, a scenic landscape, an abstract design of your own creation – anything is possible.

A glass finish vacuum seals your unique image behind

a layer of shatterproof glass, and all fixings can be discreetly located behind the radiator so as not to detract from your design.

We produce each Tardis with great care, offering you the flexibility of size and attention to detail which these signature home pieces deserve.

TARDIS TECHNICAL DRAWING





Tirendaz is available in a brushed matt and polished finishes.

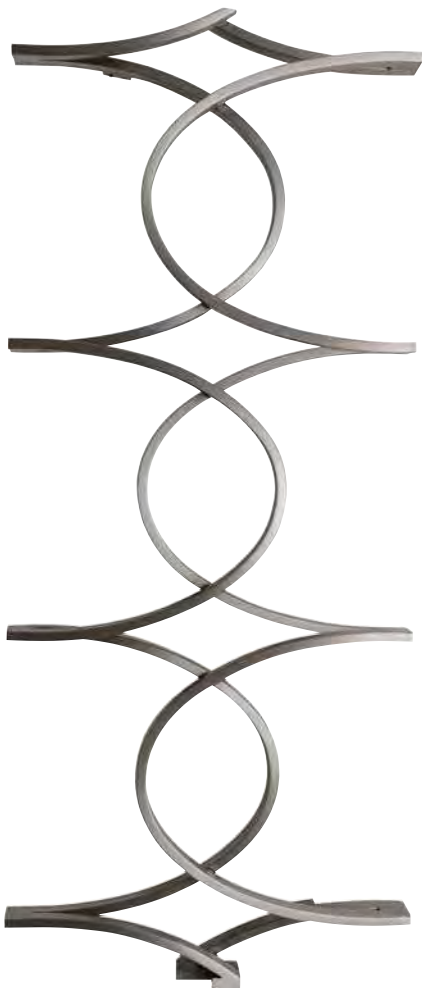
MODEL SHOWN: TRZ613-10-S (Brushed Matt)

TIRENDAZ

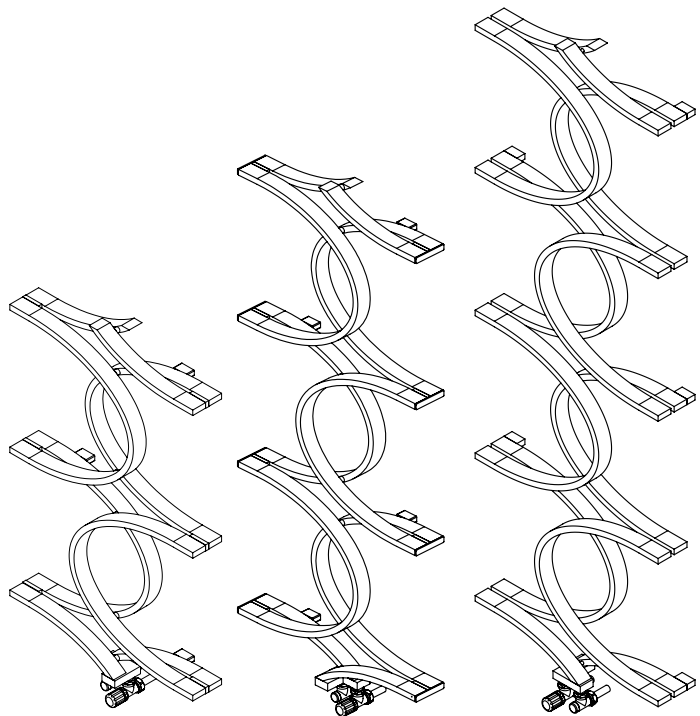
This elegant Turkish delight takes its name from the powerful accuracy of historical Ottoman archers, while the design evokes mosaic patterns from the period. This vertical, heated towel rail creates a symmetry of perfect curves that pleases the eye and settles the mind.

SS MATERIAL
 S/P FINISH
 10 bar WORKING PRESSURE
 120 °C WORKING TEMP.
 O/C OPEN/CLOSED SYSTEM
 V MOUNTING POS.
 20 YEARS WARRANTY

PRODUCT NAME	DIMENSIONS			PIPE CENTRES	WALL TO PIPE CENTRE	WALL TO FACE	WATER CONTENT	GROSS WEIGHT	FUEL OPTIONS	PIPES OR SECTIONS	HEAT OUTPUT AT ΔT 50		FINISHES	
	Height mm	Length mm	Depth mm								mm	mm	mm	lt
TRZ609-8	930	570	115	50	50	115	2.4	14.1	H	8	1134	332	✓	✓
TRZ613-10	1315	570	115	50	50	115	3.2	20.4	H	10	1506	441	✓	✓
TRZ617-12	1700	570	115	50	50	115	4.0	26.7	H	12	1899	556	✓	✓



TIRENDAZ TECHNICAL DRAWINGS



MODEL SHOWN: TRZ613-10-S (Brushed Matt)



MODEL SHOWN: TW1809_z360-P (Polished)

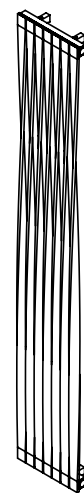


MODEL SHOWN: TW2009_z720-P (Polished)

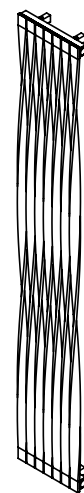


MODEL SHOWN: TW1805_z360-P (Polished)

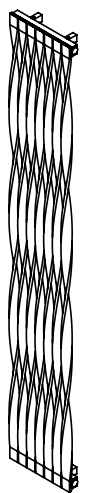
TWISTER TECHNICAL DRAWINGS



180° TWIST



360° TWIST



720° TWIST

TWISTER

Unusual elegance.

A range of bold designs twisted along the entire length of the bars to reveal attractive alternating brushed and polished steel. These timeless radiators are the perfect talking point.

SS MATERIAL
 S/P FINISH
 6 WORKING PRESSURE
 120 °C WORKING TEMP.
 O/C OPEN/CLOSED SYSTEM
 V/H MOUNTING POS.
 20 YEARS WARRANTY

PRODUCT NAME	DIMENSIONS			PIPE CENTRES	WALL TO PIPE CENTRE	WALL TO FACE	WATER CONTENT	GROSS WEIGHT	FUEL OPTIONS	PIPES OR SECTIONS	HEAT OUTPUT AT ΔT 50		FINISHES		
	Height mm	Length mm	Depth mm								mm	mm	mm	lt	kg
TW1505_z180	1500	220	55	50	65-80	110-125	2.38	14.4	H	5	2015	590	✓	✓	✓
TW1505_z360	1500	220	55	50	65-80	110-125	2.38	14.4	H	5	2015	590	✓	✓	✓
TW1507_z180	1500	310	55	50-400	65-80	110-125	3.34	19.4	E/H/D	7	2821	826	✓	✓	✓
TW1507_z360	1500	310	55	50-400	65-80	110-125	3.34	19.4	E/H/D	7	2821	826	✓	✓	✓
TW1509_z180	1500	400	55	50-490	65-80	110-125	4.30	24.4	E/H/D	9	3627	1062	✓	✓	✓
TW1509_z360	1500	400	55	50-490	65-80	110-125	4.30	24.4	E/H/D	9	3627	1062	✓	✓	✓
TW1805_z180	1800	220	55	50	65-80	110-125	2.77	16.8	H	5	2384	698	✓	✓	✓
TW1805_z360	1800	220	55	50	65-80	110-125	2.77	16.8	H	5	2384	698	✓	✓	✓
TW1807_z180	1800	310	55	50-400	65-80	110-125	3.88	22.8	E/H/D	7	3337	977	✓	✓	✓
TW1807_z360	1800	310	55	50-400	65-80	110-125	3.88	22.8	E/H/D	7	3337	977	✓	✓	✓
TW1809_z180	1800	400	55	50-490	65-80	110-125	5.00	28.7	E/H/D	9	4290	1256	✓	✓	✓
TW1809_z360	1800	400	55	50-490	65-80	110-125	5.00	28.7	E/H/D	9	4290	1256	✓	✓	✓
TW2005_z180	2000	220	55	50	65-80	110-125	3.03	18.5	H	5	2647	775	✓	✓	✓
TW2005_z360	2000	220	55	50	65-80	110-125	3.03	18.5	H	5	2647	775	✓	✓	✓
TW2005_z720	2000	220	55	50	65-80	110-125	3.03	18.5	H	5	2647	775	✓	✓	✓
TW2007_z180	2000	310	55	50-400	65-80	110-125	4.25	25.0	E/H/D	7	3706	1085	✓	✓	✓
TW2007_z360	2000	310	55	50-400	65-80	110-125	4.25	25.0	E/H/D	7	3706	1085	✓	✓	✓
TW2007_z720	2000	310	55	50-400	65-80	110-125	4.25	25.0	E/H/D	7	3706	1085	✓	✓	✓
TW2009_z180	2000	400	55	50-490	65-80	110-125	5.46	31.6	E/H/D	9	4765	1395	✓	✓	✓
TW2009_z360	2000	400	55	50-490	65-80	110-125	5.46	31.6	E/H/D	9	4765	1395	✓	✓	✓
TW2009_z720	2000	400	55	50-490	65-80	110-125	5.46	31.6	E/H/D	9	4765	1395	✓	✓	✓



Twister is a hand-formed design using unique, manual twisting processes. Some variation in measurement and uniformity may occur.

Twister is available in a brushed matt and polished finishes.

MODEL SHOWN: TW2009_z720-P (Polished)



MODEL SHOWN ABOVE: VENTB10-S
Clip-on Towel Bar (Brushed Matt)

A CONVENIENT
BUILT-IN BLEND OF
EXQUISITE DESIGN
AND PRACTICAL
PURPOSE

We recommend the 3 Bar Safety Valve for all ELECTRIC ONLY (E) products. Dual Fuel is possible either by use of "T" piece and radiator valve or by use of ONE850 or ONE851 (4 way valve)

Venetian is available in a brushed matt and polished finishes.

MODEL SHOWN: VEN2010-S with INM2026-S Infi Mirror (Brushed Matt)

VENETIAN

Good, old-fashioned glamour.

Like the city that inspired it, this radiator is stylish and, above all, cosmopolitan. Install it in the hall for your guests to admire - or in the bathroom, with the optional towel bar and mirror, for your guests to admire themselves.

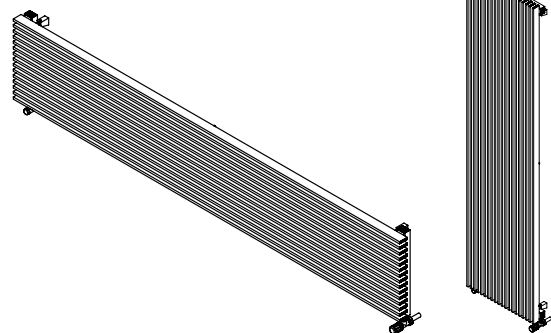
SS MATERIAL
 S/P FINISH
 10 bar WORKING PRESSURE
 120 °C WORKING TEMP.
 O/C OPEN/CLOSED SYSTEM
 V/H MOUNTING POS.
 20 YEARS WARRANTY

PRODUCT NAME	DIMENSIONS			PIPE CENTRES mm	WALL TO PIPE CENTRE mm	WALL TO FACE mm	WATER CONTENT lit	GROSS WEIGHT kg	FUEL OPTIONS E/H/D	PIPES OR SECTIONS	HEAT OUTPUT AT ΔT 50		FINISHES	
	Height mm	Length mm	Depth mm								BTU	Watts	Brushed Matt S	Polished P
VEN720	700	505	70	450-595	40-55	95-110	4.63	19.8	E/H/D	20	3621	1060	✓	✓
VEN725	700	630	70	575-720	40-55	95-110	5.79	24.4	E/H/D	25	4526	1325	✓	✓
VEN730	700	755	70	700-845	40-55	95-110	6.94	29.0	E/H/D	30	5431	1590	✓	✓
VEN1015	1000	380	70	325-470	40-55	95-110	4.64	20.5	E/H/D	15	3919	1148	✓	✓
VEN1020	1000	505	70	450-595	40-55	95-110	6.18	26.8	E/H/D	20	5226	1530	✓	✓
VEN1025	1000	630	70	575-720	40-55	95-110	7.73	33.0	E/H/D	25	6532	1913	✓	✓
VEN1510	1500	255	70	200-345	40-55	95-110	4.39	20.2	E/H/D	10	3928	1150	✓	✓
VEN1515	1500	380	70	325-470	40-55	95-110	6.58	29.3	E/H/D	15	5892	1725	✓	✓
VEN1520	1500	505	70	450-595	40-55	95-110	8.77	38.3	E/H/D	20	7856	2300	✓	✓
VEN1525	1500	630	70	575-720	40-55	95-110	10.97	47.4	E/H/D	25	9820	2875	✓	✓
VEN1805	1800	130	70	75	40-55	95-110	2.58	13.1	H	5	2323	680	✓	✓
VEN1810	1800	255	70	200-345	40-55	95-110	5.16	23.8	E/H/D	10	4645	1360	✓	✓
VEN1815	1800	380	70	325-470	40-55	95-110	7.74	34.5	E/H/D	15	6968	2040	✓	✓
VEN1820	1800	505	70	450-595	40-55	95-110	10.33	45.2	E/H/D	20	9290	2720	✓	✓
VEN1825	1800	630	70	575-720	40-55	95-110	12.91	56.0	E/H/D	25	11611	3400	✓	✓
VEN2005	2000	130	70	75	40-55	95-110	2.84	14.4	H	5	2613	765	✓	✓
VEN2008	2000	205	70	150	40-55	95-110	4.54	21.5	H	8	4181	1224	✓	✓
VEN2010	2000	255	70	200-345	40-55	95-110	5.68	26.2	H	10	5226	1530	✓	✓
VEN2015	2000	380	70	325-470	40-55	95-110	8.52	38.1	E/H/D	15	7839	2295	✓	✓
VEN2020	2000	505	70	450-595	40-55	95-110	11.36	49.9	E/H/D	20	10450	3060	✓	✓
VEN 2025	2000	630	70	575-720	40-55	95-110	14.20	61.7	E/H/D	25	13062	3825	✓	✓
VENTB10 (Towel Bar)	40	255	100					1.4					✓	✓
VENTB15 (Towel Bar)	40	380	100					1.7					✓	✓
VENTB20 (Towel Bar)	40	505	100					2.0					✓	✓

- Infini Mirror is compatible with Venetian.
- VENTB10, VENTB15 and VENTB20 are Venetian Towel Bar Accessories.



VENETIAN TECHNICAL DRAWINGS





Wave is available in a brushed matt finish with additional finishes for the pillars

MODEL SHOWN: WA715h-S (Brushed Matt) and Granite Verde Butterfly Pillars

WAVE

Woven loveliness.

This piece works horizontally or vertically, and brings a pleasing sense of order to the room. Sensuous and tactile, with a range of stone finishes available for the supportive pillars, this gorgeous radiator will appeal to more than just one of your senses.

Horizontal

SS MATERIAL
 S+H FINISH
 6 WORKING PRESSURE
 120°C WORKING TEMP.
 O/C OPEN/CLOSED SYSTEM
 H MOUNTING POS.
 20 YEARS WARRANTY

PRODUCT NAME	DIMENSIONS			PIPE CENTRES	WALL TO PIPE CENTRE	WALL TO FACE	WATER CONTENT	GROSS WEIGHT	FUEL OPTIONS	PIPES OR SECTIONS	HEAT OUTPUT AT ΔT 50		FINISHES		
	Height mm	Length mm	Depth mm								mm	mm	lt	kg	E/H/D
WA710h	700	1130	140	860	80-95	140-155	5.28	29.2	H	14	3897	1141	✓		
WA715h	700	1630	140	1360	80-95	140-155	7.15	41.8	H	14	5846	1712	✓		
WA720h	700	2130	140	1860	80-95	140-155	9.01	51.9	H	14	7793	2282	✓		
WPSS	Stainless Steel Pillars (Pair)							8.0						✓	
WPNA	Black Granite - Nero Assoluto Pillars (Pair)							19.0							✓
WPTE	Beige Travertine - Classico Pillars (Pair)							14.0							✓
WPCM	Beige Marble - Crema Marfil Pillars (Pair)							19.0							✓
WPVB	Green Granite - Verde Butterfly Pillars (Pair)							19.0							✓
WPLA	Brown Granite - Labrador Antique Pillars (Pair)							19.0							✓

Vertical

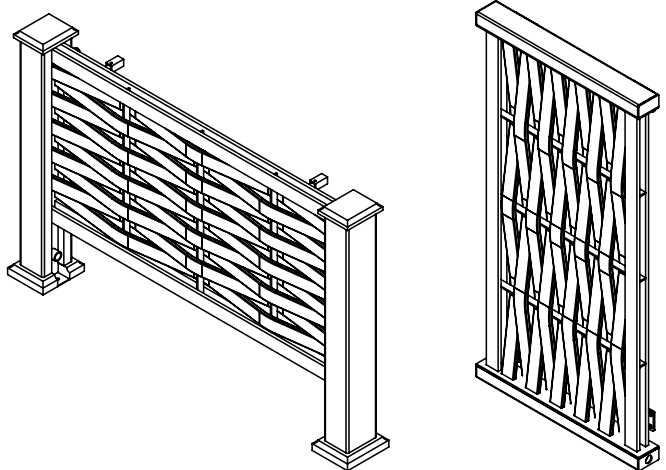
SS MATERIAL
 S FINISH
 6 WORKING PRESSURE
 120°C WORKING TEMP.
 O/C OPEN/CLOSED SYSTEM
 V MOUNTING POS.
 20 YEARS WARRANTY

PRODUCT NAME	DIMENSIONS			PIPE CENTRES	WALL TO PIPE CENTRE	WALL TO FACE	WATER CONTENT	GROSS WEIGHT	FUEL OPTIONS	PIPES OR SECTIONS	HEAT OUTPUT AT ΔT 50		FINISH	
	Height mm	Length mm	Depth mm								mm	mm	lt	kg
WA106v	1070	550	70	50-640	60	95	5.13	25.4	H	14	3897	1141	✓	
WA166v	1570	550	70	50-640	60	95	6.94	36.5	H	14	5846	1712	✓	
WA216v	2070	550	70	50-640	60	95	8.75	45.4	H	14	7793	2282	✓	



MODEL SHOWN: WA715h-S (Brushed Matt) and Stainless Steel Pillars

WAVE TECHNICAL DRAWINGS



Technical specifications are subject to change without prior notice.

Tel: +44 (0)1908 271155 Web: www.aeon.uk.com

ARRESTING GEOMETRIC PATTERNS TO SHOCK ANY HOME INTO A DESIGN



MODEL SHOWN: ZigZag E ZE155-S (Brushed Matt)



MODEL SHOWN: ZigZag T ZT155-S (Brushed Matt)



MODEL SHOWN ABOVE: ZigZag K ZK155-S (Brushed Matt)

ZIGZAG

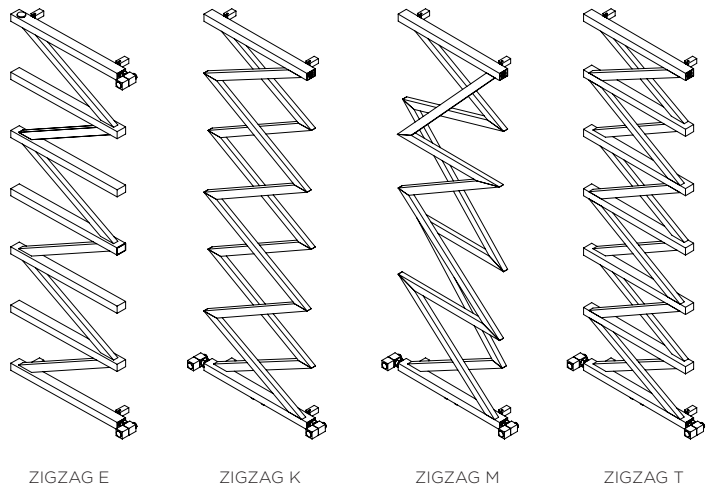
Super symmetry or conscious chaos? You decide.
The geometric variations of Zig Zag introduce arresting patterns and sleek forms into your space – as well as comfort and warmth.

SS MATERIAL
 S/P FINISH
 10 WORKING PRESSURE
 120 °C WORKING TEMP.
 O/C OPEN/CLOSED SYSTEM
 V MOUNTING POS.
 20 YEARS WARRANTY

PRODUCT NAME	DIMENSIONS			PIPE CENTRES	WALL TO PIPE CENTRE	WALL TO FACE	WATER CONTENT	GROSS WEIGHT	FUEL OPTIONS	PIPES OR SECTIONS	HEAT OUTPUT AT ΔT 50		FINISHES	
	Height mm	Length mm	Depth mm								mm	mm	lt	kg
ZE155	1500	500	40	1470	75-90	95-110	4.80	12.6	E	13	1,264	370	✓	✓
ZK155	1500	500	40	590-50	75-90	95-110	3.85	12.7	E/H/D	14	1,296	380	✓	✓
ZT155	1500	500	40	590-50	75-90	95-110	6.10	12.6	E/H/D	19	1,742	510	✓	✓
ZM155	1500	500	40	590-50	75-90	95-110	3.72	15.8	E/H/D	14	1,296	380	✓	✓



ZIGZAG TECHNICAL DRAWINGS



These signature radiators are designed as an opportunity to experiment with unique shapes in the home. The 4 geometric shape ranges E, K, T and M each introduce an individual pattern, to frame any room while delivering the comfort and warmth we all desire.

ZigZag is available in a brushed matt and polished finishes.

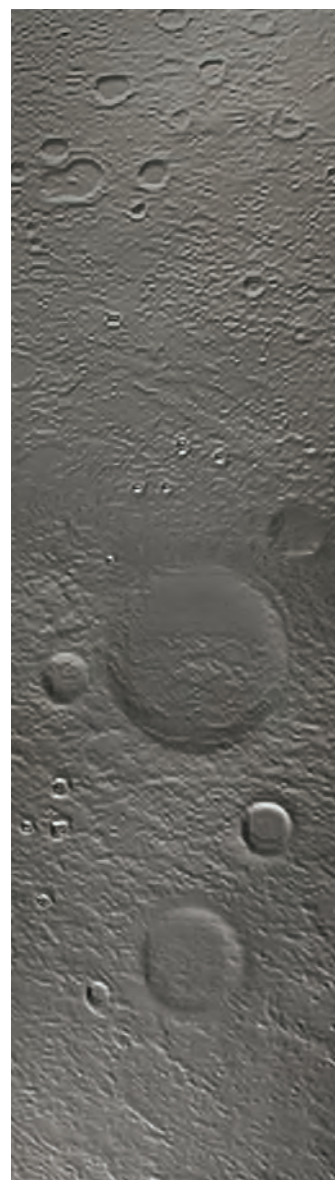
MODEL SHOWN: ZigZag M ZM155-S (Brushed Matt)

We recommend the 3 Bar Safety Valve for all ELECTRIC ONLY (E) products. Dual Fuel is possible either by use of "T" piece and radiator valve or by use of ONE850 or ONE851 (4 way valve)

ALUM



INIUM



FLUENT	184	SESRIEM	188
PLANET MOON	186	STARGATE	190

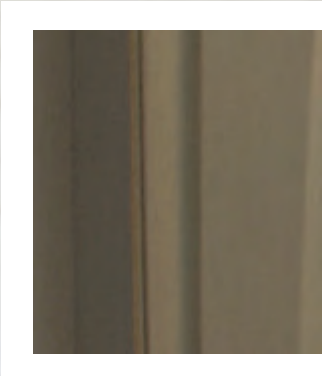
10
YEARS WARRANTY



We recommend the 3 Bar Safety Valve for all ELECTRIC ONLY (E) products. Dual Fuel is possible either by use of "T" piece and radiator valve or by use of ONE850 or ONE851 (4 way valve)

Fluent is available in a textured bronze anodised finish

MODEL SHOWN: FLU186 (Anodised - Textured Bronze)



FLUENT

Undulating waves bring a sense of calm to this beautiful radiator. Fluent's fascinating, organic design and anodised finish will ensure it does not fade into the background.

AL MATERIAL
 TB FINISH
 10 WORKING PRESSURE
 95 °C WORKING TEMP.
 C CLOSED SYSTEM
 V/H MOUNTING POS.
 10 YEARS WARRANTY

PRODUCT NAME	DIMENSIONS			PIPE CENTRES	WALL TO PIPE CENTRE	WALL TO FACE	WATER CONTENT	GROSS WEIGHT	FUEL OPTIONS	PIPES OR SECTIONS	HEAT OUTPUT AT ΔT 50		FINISH
	Height mm	Length mm	Depth mm								BTU	Watts	
FLU186	1810	605	45	50-700	70	95	2.82	43.9	E/H/D	15	9055	2651	Anodised - Textured Bronze TB ✓

ECHOES OF TRANQUILLITY BRING A SENSE OF CALM TO THIS BEAUTIFUL RADIATOR

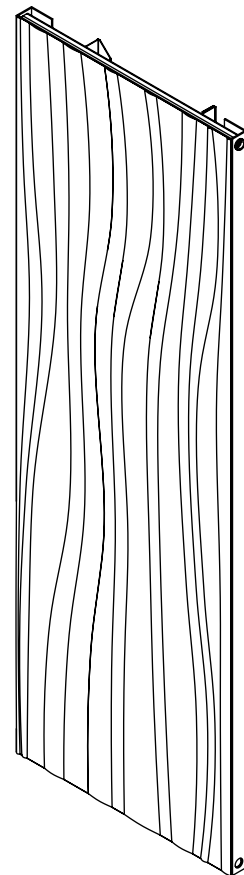
Much like the longitudinal textured pattern seen in woodgrain, the natural channels of Fluent meander continuously from one end to another. As the name suggests, Fluent is graceful and effortless in its pure and simple appearance.

Almost like a freehand line, rich strokes present themselves organically,

weaving their journey over the calm aluminium surface.

As with the treasure of the patten hidden inside a tree, the grooves are free-flowing and unbroken. Fluent can be mounted vertically or horizontally to complement the style of a room.

FLUENT TECHNICAL DRAWING





We recommend the 3 Bar Safety Valve for all ELECTRIC ONLY (E) products. Dual Fuel is possible either by use of "T" piece and radiator valve or by use of ONE850 or ONE851 (4 way valve)

MODEL SHOWN: PLAM186-TG (Textured Grey)

PLANET MOON

Take a giant leap into sculptural heating with this stunning show-stopper. With some top spec technology providing homely heating, moon crater details in an anodised grey finish lift this design out of this world. One of our most unusual, eye-catching radiators.

AL MATERIAL
 TG FINISH
 10 WORKING PRESSURE
 95 °C WORKING TEMP.
 C CLOSED SYSTEM
 VH MOUNTING POS.
 10 YEARS WARRANTY

PRODUCT NAME	DIMENSIONS			PIPE CENTRES	WALL TO PIPE CENTRE	WALL TO FACE	WATER CONTENT	GROSS WEIGHT	FUEL OPTIONS	PIPES OR SECTIONS	HEAT OUTPUT AT ΔT 50		FINISH
	Height mm	Length mm	Depth mm								mm	mm	
PLAM186	1810	605	45	50-700	70	95	2.82	43.4	E/H/D	15	9055	2651	Anodised Textured Grey TG ✓

MOON CRATER DETAILS BRING THE GALACTIC THEME VIVIDLY TO LIFE IN ONE OF THE MOST UNUSUAL RADIATORS

Travel to the moon's surface with Planet Moon. A showstopper in the AEON Collection, Planet Moon allows you to take home your very own piece of outer space.

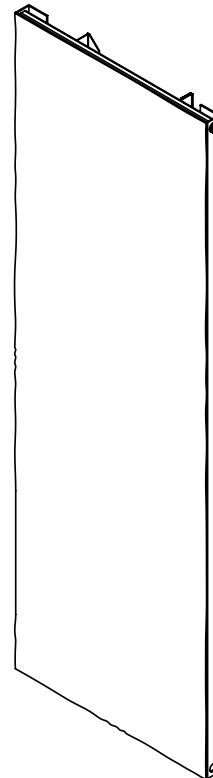
A direct replica of our moon's surface, we have perfected unique techniques to recreate the intricate rocky appearance you see in the night sky.

Craters from asteroid and comet impacts,

dead volcanoes and lava flows litter the moon's facade and are portrayed here as an accurate representation.

Constructed from a solid aluminium plate and milled using seven different blades, it takes more than 40 hours to meticulously craft each individual Planet Moon radiator. The detail can be felt in the texture of the radiator's surface.

PLANET MOON TECHNICAL DRAWING



Planet Moon in anodised textured grey is available from stock. Other finishes including anodised matt silver and gold are available by a bespoke special order only.



We recommend the 3 Bar Safety Valve for all ELECTRIC ONLY (E) products. Dual Fuel is possible either by use of "T" piece and radiator valve or by use of ONE850 or ONE851 (4 way valve)

MODEL SHOWN: SES186 (Anodised Gold)

SESRIEM

Flowing luxury.

Feel yourself relax as you look at this fabulously fluid design - then imagine how wonderful the enveloping heat will make you feel. With top class technology and beautiful satin gold finish, Sesriem lets you sink into liquid heaven.

AL MATERIAL
 AG FINISH
 10 bar WORKING PRESSURE
 95 °C WORKING TEMP.
 C CLOSED SYSTEM
 VH MOUNTING POS.
 10 YEARS WARRANTY

PRODUCT NAME	DIMENSIONS			PIPE CENTRES	WALL TO PIPE CENTRE	WALL TO FACE	WATER CONTENT	GROSS WEIGHT	FUEL OPTIONS	PIPES OR SECTIONS	HEAT OUTPUT AT ΔT 50		FINISH
	Height mm	Length mm	Depth mm								mm	mm	
SES186	1810	605	45	50-700	70	95	2.82	42.9	E/H/D	15	9055	2651	Anodised Gold AG ✓

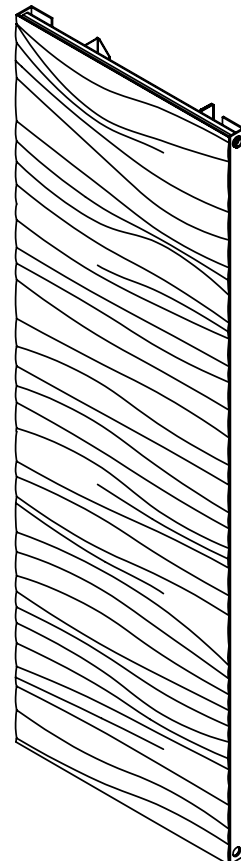
BE MESMERISED BY THE ORGANIC DESERT PATTERNS CRAFTED INTO THE ALUMINIUM SURFACE

Sesriem reflects the patterns left behind by the natural motion of drifting sands across the desert.

Organic strokes replicate the unique, smooth ridges left after the storm has blown across the expanse of an otherwise undisturbed sandscape.

The understated metallic satin gold finish provides you with an elegant accessory for any interior. Escape to your place of peace and tranquillity with the calm and warming presence of Sesriem.

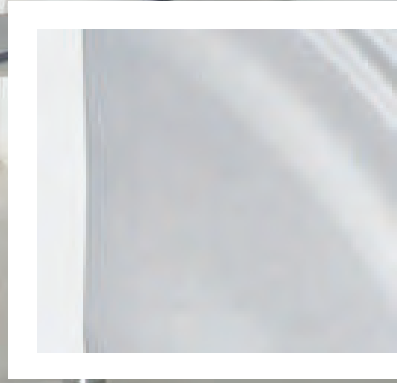
SESRIEM TECHNICAL DRAWING





We recommend the 3 Bar Safety Valve for all ELECTRIC ONLY (E) products. Dual Fuel is possible either by use of "T" piece and radiator valve or by use of ONE850 or ONE851 (4 way valve)

MODEL SHOWN: STA86 (Textured Silver)



STARGATE

Peace, indefinitely.

Look into the expanding concentric circles of this restful aluminium design to be transported beyond the stars - just without the spatial chill. With the added reassurance of AEON's quality craftsmanship, we defy you not to relax in front of Stargate's flawless finish.

AL MATERIAL
 TS FINISH
 10 WORKING PRESSURE
 95 °C WORKING TEMP.
 C CLOSED SYSTEM
 VH MOUNTING POS.
 10 YEARS WARRANTY

PRODUCT NAME	DIMENSIONS			PIPE CENTRES	WALL TO PIPE CENTRE	WALL TO FACE	WATER CONTENT	GROSS WEIGHT	FUEL OPTIONS	PIPES OR SECTIONS	HEAT OUTPUT AT ΔT 50		FINISH
	Height mm	Length mm	Depth mm								mm	mm	
STA186	1810	605	45	50-700	70	95	2.82	43.7	E/H/D	15	9055	2651	Anodised Textured Silver TS ✓

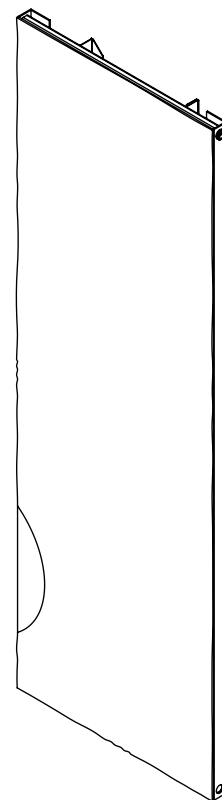
GAZE INTO THE EVER EXPANDING RIPPLES OF THIS SOFT DESIGN TO BE TRANSPORTED BEYOND THE STARS

Stargate captures that unique moment when a droplet hits a calm pool of water. The ripple effect travels outwards spreading to the very edges of this beautiful radiator.

It is easy to become drawn to Stargate with all of your senses, as you experience the curious urge to run your fingers

across its wonderfully crafted surface. Stargate is produced in aluminium using specialist technology to create a flawless finish.

STARGATE TECHNICAL DRAWING



VALVES & ACCESSORIES

AEON valves and accessories come recommended for our incredible range of designer radiators. Contact us for more information or support in helping you choose the best accessory.

MANUAL VALVES



ANGLE
BCH850MC
 Blade Cross Angle Manual Rad. Valve + L/S set
 Chrome



ANGLE
CUB840C
 Cube - Manual Angle Valve Pair Complete with 15mm Tube Connectors
 Chrome



ANGLE
CUB840S
 Cube - Manual Angle Valve Pair Complete with 15mm Tube Connectors
 Brushed Matt



ANGLE
CUL850MC
 Cubic-25° Angle Manual Rad. Valve + L/S set
 Chrome



ANGLE
CYL850MC
 Cylindrical-30° Angle Manual Rad. Valve + L/S set
 Chrome



ANGLE
CYL850MS
 Cylindrical-30° Angle Manual Rad. Valve + L/S set
 Brushed Matt



ANGLE
CYL850MB
 Cylindrical-30° Angle Manual Rad. Valve + L/S set
 Matt Black RAL 9005



ANGLE
CYL850MA
 Cylindrical-30° Angle Manual Rad. Valve + L/S set
 Matt Anthracite RAL 7016



ANGLE
QUA850MC
 Quartz-30° Angle Manual Rad. Valve + L/S set
 Chrome



ANGLE
QUA850MS
 Quartz-30° Angle Manual Rad. Valve + L/S set
 Brushed Matt



ANGLE
TLB850MC
 Traditional Cross Head Angle Manual Rad. Valve + L/S set
 Chrome



ANGLE
TLB850MS
 Traditional Cross Head Angle Manual Rad. Valve + L/S set
 Brushed Matt



ANGLE

CYH850MC
Cylindrical-30 Angle Manual Rad. Valve
+ L/S set
Chrome



ANGLE

CYH850MS
Cylindrical-30 Angle Manual Rad. Valve
+ L/S set
Brushed Matt



ANGLE

CUH850MC
Cubic-30 Angle Manual Rad. Valve +
L/S set
Chrome



ANGLE

CUH850MS
Cubic-30 Angle Manual Rad. Valve +
L/S set
Brushed Matt



STRAIGHT

BCH851MC
Blade Cross Straight Manual Rad. Valve
+ L/S set
Chrome



STRAIGHT

CUB841C
Cube - Manual Straight Valve Pair
Complete with 15mm Tube Connectors
Chrome



STRAIGHT

CUB841S
Cube - Manual Straight Valve Pair
Complete with 15mm Tube Connectors
Brushed Matt



STRAIGHT

CUH851MC
Cubic-30 Straight Manual Rad. Valve
+ L/S set
Chrome



STRAIGHT

CUH851MS
Cubic-30 Straight Manual Rad. Valve
+ L/S set
Brushed Matt



STRAIGHT

CUL851MC
Cubic-25 Straight Manual Rad. Valve
+ L/S set
Chrome



STRAIGHT

QUA851MC
Quartz-30 Straight Manual Rad. Valve
+ L/S set
Chrome



STRAIGHT

CYH851MC
Cylindrical-30 Straight Manual Rad.
Valve + L/S set
Chrome



STRAIGHT

CYH851MS
Cylindrical-25 Straight Manual Rad.
Valve + L/S set
Brushed Matt



STRAIGHT

CYL851M
Cylindrical-25 Straight Manual Rad. Valve
+ L/S set
Finishes Available:
Chrome
Brushed Matt



STRAIGHT

CYL851MB
Cylindrical-25 Straight Manual Rad. Valve
+ L/S set
Matt Black RAL 9005



STRAIGHT

CYL851MA
Cylindrical-25 Straight Manual Rad. Valve
+ L/S set
Matt Anthracite RAL 7016



CORNER

CUH853MC
Cubic-30 Corner Manual Rad. Valve
+ L/S set
Chrome



CORNER

CUH853MS
Cubic-30 Corner Manual Rad. Valve
+ L/S set
Brushed Matt



CORNER

CYH853MC
Cylindrical-30 Corner Manual Rad. Valve
+ L/S set
Chrome



CORNER

CYH853MS
Cylindrical-30 Corner Manual Rad. Valve
+ L/S set
Brushed Matt

THERMOSTATIC VALVES



TWIN ANGLE/STRAIGHT

TWU850T
Twin Valve TRV Angle/Straight (6 ports)
with TRV Liquid Sensor Head, Couplings
and Reducers
Finishes Available:
Chrome
White RAL 9016



TWIN ANGLE/STRAIGHT

TWU850TS
Twin Valve TRV Angle/Straight (6 ports)
with TRV Liquid Sensor Head, Couplings
and Reducers
Brushed Matt



TWIN ANGLE/STRAIGHT

TWU850TB
Twin Valve TRV Angle/Straight (6 ports)
with TRV Liquid Sensor Head, Couplings
and Reducers
Matt Black RAL 9005



TWIN ANGLE/STRAIGHT

TWU850TA
Twin Valve TRV Angle/Straight (6 ports)
with TRV Liquid Sensor Head, Couplings
and Reducers
Matt Anthracite RAL 7016



TWIN ANGLE/STRAIGHT

TWU850TG
Twin Valve TRV Angle/Straight (6 ports)
with TRV Liquid Sensor Head, Couplings
and Reducers
Matt Gold



ANGLE

UAW850TC
Eco Angle Thermostatic Valve
Chrome



ANGLE

UAW850NTW
Eco Angle Thermostatic Valve & TRV Head
White RAL 9016



ANGLE

UAW850NLTW
Eco Angle Thermostatic Valve & TRV
Head/LS Twin Pack
White RAL 9016



ANGLE

CYH850TC
Cylindrical-30 Angle GB TRV 30mm
Body + Cylindrical L/S with TRV Liquid
Sensor Head
Chrome



ANGLE

CYH850TS
Cylindrical-30 Angle GB TRV 30mm
Body + Cylindrical L/S with TRV Liquid
Sensor Head
Brushed Matt



ANGLE

CYH850TW
Cylindrical-30 Angle GB TRV 30mm
Body + Cylindrical L/S with TRV Liquid
Sensor Head
White RAL 9016



ANGLE

CYH850TB
Cylindrical-30 Angle GB TRV 30mm
Body + Cylindrical L/S with TRV Liquid
Sensor Head
Matt Black RAL 9005



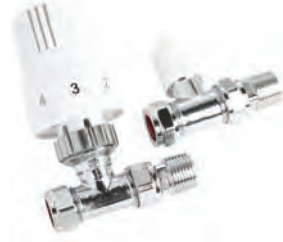
ANGLE

CYH850TA
Cylindrical-30 Angle GB TRV 30mm
Body + Cylindrical L/S with TRV Liquid
Sensor Head
Matt Anthracite RAL 7016



ANGLE

CYH850TG
Cylindrical-30 Angle GB TRV 30mm
Body + Cylindrical L/S with TRV Liquid
Sensor Head
Matt Gold



STRAIGHT

UAW851NLTW
Eco Straight Thermostatic Valve & TRV
Head/L/S Twin Pack
White RAL 9016



STRAIGHT

UAW851TC
Eco Straight Thermostatic Valve
Chrome



STRAIGHT

UAW851NTW
Eco Straight Thermostatic Valve & TRV Head
White RAL 9016



STRAIGHT

CYH851T
Cylindrical-30 Straight GB TRV 30mm
Body + Cylindrical L/S with TRV Liquid
Sensor Head
Finishes Available:
Chrome
Brushed Matt



STRAIGHT

CYH851TW
Cylindrical-30 Straight GB TRV 30mm
Body + Cylindrical L/S with TRV Liquid
Sensor Head
White RAL 9016



STRAIGHT

CYH851TB
Cylindrical-30 Straight GB TRV 30mm
Body + Cylindrical L/S with TRV Liquid
Sensor Head
Matt Black RAL 9005



STRAIGHT

CYH851TA
Cylindrical-30 Straight GB TRV 30mm
Body + Cylindrical L/S with TRV Liquid
Sensor Head
Matt Anthracite RAL 7016



STRAIGHT

CYH851TG
Cylindrical-30 Straight GB TRV 30mm
Body + Cylindrical L/S with TRV Liquid
Sensor Head
Matt Gold



CORNER

UAW853TC
Eco Corner Thermostatic Valve & TRV Head
Chrome



CORNER

UAW853TS
Eco Corner Thermostatic Valve & TRV Head
Brushed Matt



ANGLE

UD850W
DECOR Angle Valve Pair Complete with
15mm Tube Connectors
White RAL 9016



ANGLE

UD850C
DECOR Angle Valve Pair Complete with
15mm Tube Connectors
Chrome

AVAILABLE WHILE STOCKS LAST



ANGLE

MIN840C
Minimalist - Manual Angle Valve Pair
Complete with 15mm Tube Connectors
Chrome



ANGLE

CYL840C
Cylinder - Manual Angle Valve Pair
Complete with 15mm Tube Connectors
Chrome



ANGLE

CYL840S
Cylinder - Manual Angle Valve Pair
Complete with 15mm Tube Connectors
Brushed Matt



TWIN ANGLE

TWI850S
Twin - Thermostatic Angle Valve
Complete with 15mm Tube Connectors
Brushed Matt



TWIN STRAIGHT

TWI851C
Twin - Thermostatic Straight Valve
Complete with 15mm Tube Connectors
Finishes Available:
Chrome
Brushed Matt



STRAIGHT

ONE851C
One - Thermostatic Straight Valve
Complete with 15mm Tube Connectors
Chrome



STRAIGHT

ONE851S
One - Thermostatic Straight Valve
Complete with 15mm Tube Connectors
Brushed Matt



STRAIGHT

UD851
DECOR Straight Valve Pair Complete with
15mm Tube Connectors
Finishes Available:
Chrome
Brushed Matt



STRAIGHT

VHS-str
Danfoss Undermount Thermostatic Valve
- Straight White
White RAL 9016



SWIVEL

UDC860
DECOR Swivel Valve Pair Complete with
15mm Tube Connectors
Chrome



SWIVEL

UDC927
INTERAXIAL Swivel 50 Valve Pair
Complete with 15 Tube Connectors &
Domignon Sensor
Chrome



SWIVEL

UDS927
INTERAXIAL Swivel 50 Valve Pair
Complete with 15 Tube Connectors &
Domignon Sensor
Brushed Matt



SWIVEL

UDW927
INTERAXIAL Swivel 50 Valve Pair
Complete with 15 Tube Connectors &
Domignon Sensor
White RAL 9016



CORNER

COR850C
Corner - Thermostatic Angle Valve Pair
Complete with 15mm Tube Connectors
Chrome



A409C
Liquid Metal Sensor
Chrome



A409S
Liquid Metal Sensor
Brushed Matt



A574
Manual Knob for Thermostatic Radiator
Valves (TRV)
Brushed Matt



UA109C
TRV Head
Chrome



UA109S
TRV Head
Brushed Matt



UA109W
TRV Head
White RAL 9016



UA109B
TRV Head
Matt Black RAL 9005



UA109A
TRV Head
Matt Anthracite RAL 7016



UD109L
Domignon Liquid Plastic Sensor
Finishes Available:
Chrome
White RAL 9016



UDS109L
Domignon Liquid Plastic Sensor
Brushed Matt



STRAIGHT
UAWH85IT
Eco Straight TRV + White/Chrome Senso
TRV Head
Chrome



ANGLE
UAWH85OT
Eco Angle TRV + White/Chrome TRV
Head
Chrome

H VALVES



STRAIGHT

P925
Straight "H" Valve Without By-Pass - Nickel Plated Brushed Matt



ANGLE

P926
Angle "H" Valve Without By-Pass - Nickel Plated Brushed Matt



STRAIGHT

P915
Straight "H" Valve With By-Pass - Nickel Plated Brushed Matt



ANGLE

P916
Angle "H" Valve With By-Pass - Nickel Plated Brushed Matt

ADAPTING SETS, TUBE CONNECTORS & REDUCING KITS



P3015SC14
3/4" x 18 x 10 x 14 Complete Adapting Set For Multi-Layer Pipe Chrome



P3015SS14
3/4" x 18 x 10 x 14 Complete Adapting Set For Multi-Layer Pipe Brushed Matt



P3015SC16
3/4" x 18 x 10 x 16 Complete Adapting Set For Multi-Layer Pipe Chrome



P3015SS16
3/4" x 18 x 10 x 16 Complete Adapting Set For Multi-Layer Pipe Brushed Matt



P3625S
3/4" BSP x 15mm Copper Tube Connector In Brushed Matt Plated



P3625N
3/4" BSP x 15mm Copper Tube Connector In Nickel Plated Nickel



P3625C
3/4" BSP x 15mm Copper Tube Connector In Chrome Plated Chrome



P3015S
3/4" BSP x 18 x 13 x 16mm Plastic Tube Connector In Brushed Matt Brushed Matt



A335
Copper Pipe Adaptor 15mm 3/4" EK Chrome



10RP5
10mm Reducing Kit (pack of 5) Finishes Available: Chrome Brass



P99SP
Drain Device - Brass



16PEX
16mm PEX couplings - Pack of 2 Finishes Available: Chrome Brushed Matt White RAL 9016 Matt Anthracite RAL 7016 Matt Black RAL 9005 Matt Gold

HEAT TRANSFER LIQUID

Only Available to Purchase as Part of an Electrical Product Order

PRODUCT NAME	DESCRIPTION	AVAILABLE
7HTL	Heat Transfer Liquid For Up To 750mm High Rails	✓
9HTL	Heat Transfer Liquid For Up To 900mm High Rails	✓
11HTL	Heat Transfer Liquid For Up To 1200mm High Rails	✓
17HTL	Heat Transfer Liquid For Up To 1800mm High Rails	✓
20HTL	Heat Transfer Liquid For Up To 2000mm High Rails	✓



HEATING ELEMENTS

Class I or Class II Standard Heating Elements 70C Thermostat, 128C Thermal fuse

PRODUCT NAME	DESCRIPTION	FINISH
		White RAL 9016 W
HE90	90W Heating Element With 70C Thermostat, 127C Thermal Fuse, Cable Length: 1.5m, 205mm Rod Length	✓
HE150	150W Heating Element With 70C Thermostat, 127C Thermal Fuse, Cable Length: 1.5m, 300mm Rod Length	✓
HE300	300W Heating Element With 70C Thermostat, 127C Thermal Fuse, Cable Length: 1.5m, 450mm Rod Length	✓
HE400	400W Heating Element With 70C Thermostat, 127C Thermal Fuse, Cable Length: 1.5m, 550mm Rod Length	✓
HE600	600W Heating Element With 70C Thermostat, 127C Thermal Fuse, Cable Length: 1.5m, 760mm Rod Length	✓
HE900	900W Heating Element With 70C Thermostat, 127C Thermal Fuse, Cable Length: 1.5m, 1050mm Rod length	✓
HES340	340W Heating Element, PTC Self Regulation, Cable Length: 1.5m, 240mm Rod Length	✓
HES400	400W Heating Element, PTC Self Regulation, Cable Length: 1.5m, 240mm Rod Length	✓
HE250d	200W Dry Heating Element Kit With 150C Thermostat, 185C Thermal Fuse, Cable Length: 1.5m, 550mm Rod Length	✓
HE300d	300W Dry Heating Element Kit With 150C Thermostat, 185C Thermal Fuse, Cable Length: 1.5m, 650mm Rod Length	✓
HE400d	400W Dry Heating Element With Kit 150C Thermostat, 185C Thermal Fuse, Cable Length: 1.5m, 850mm Rod Length	✓
HE600d	600W Dry Heating Element With Kit 150C Thermostat, 185C Thermal Fuse, Cable Length: 1.5m, 1500mm Rod Length	✓

Analogue Heating Elements - Set Of Two Parts (The Rod & The Control Box) Class I Only

PRODUCT NAME	DESCRIPTION	FINISH		
		White RAL 9016 W	Chrome C	Nickel N
POS400	400W Poseidon Heating Element With 70C Thermostat, 127C Thermal Fuse, Cable Length: 150cm, 550mm Rod Length	✓	✓	✓
POS600	600W Poseidon Heating Element With 70C Thermostat, 127C Thermal Fuse, Cable Length: 150cm, 760mm Rod Length	✓	✓	✓

Analogue Heating Elements - The Control Box And Rod Joint As One Piece, Class I Only: Aquarius

PRODUCT NAME	DESCRIPTION	FINISH		
		White RAL 9016 W	Chrome C	Nickel N
AQ300	300W Aquarius Heating Element With 70C Thermostat, 127C Thermal Fuse, Cable Length: 150cm, 450mm Rod Length	✓	✓	✓
AQ600	600W Aquarius Heating Element with 70C Thermostat, 127C Thermal Fuse, Cable Length: 150cm, 760mm Rod Length	✓	✓	✓



Analogue Heating Elements - The Control Box And Rod Joint As One Piece, Stainless Steel Class I Only

PRODUCT NAME	DESCRIPTION	FINISH	
		Chrome C	Nickel N
AES400	400W Dimhead Heating Element - Straight Type	✓	✓
AES600	600W Dimhead Heating Element - Straight Type	✓	✓

Analogue Heating Elements - The Control Box And Rod Joint As One Piece, Class I Only: Mobus



PRODUCT NAME	DESCRIPTION	FINISH	
		White RAL 9016 W	Chrome C
MB150	150W Mobus PTC Heating Element, Cable Length: 90cm, Class I Insulation	✓	✓
MB300	300W Mobus PTC Heating Element, Cable Length: 90cm, Class I Insulation	✓	✓
MB600	600W Mobus PTC Heating Element, Cable Length: 90cm, Class I Insulation	✓	✓

Digital Heating Elements - Set Of Two Parts (The Rod & The Control Box) Class I & Class II



PRODUCT NAME	DESCRIPTION	FINISH		
		White RAL 9016 W	Chrome C	Nickel N
STCN-1	Stoke Control Box, Bluetooth Low Energy, Class I Insulation (for UK +)	✓	✓	
STCN-2	Stoke Control Box, Bluetooth Low Energy, Class II Insulation (for France)	✓	✓	
ST150-1	150W Stoke Heating Element Rod For Stoke Control Unit, Class I Insulation (for UK+)			✓
ST400-1	400W Stoke Heating Element Rod For Stoke Control Unit, Class I Insulation (for UK+)			✓
ST600-1	600W Stoke Heating Element Rod For Stoke Control Unit, Class I Insulation (for UK+)			✓
ST900-1	900W Stoke Heating Element Rod For Stoke Control Unit, Class I Insulation (for UK+)			✓
ST150-2	150W Stoke Heating Element Rod For Stoke Control Unit, Class II Insulation (for France)			✓
ST400-2	400W Stoke Heating Element Rod For Stoke Control Unit, Class II Insulation (for France)			✓
ST600-2	600W Stoke Heating Element Rod For Stoke Control Unit, Class II Insulation (for France)			✓
ST900-2	900W Stoke Heating Element Rod For Stoke Control Unit, Class II Insulation (for France)			✓

Enables Standard Element To Be Contolled

PRODUCT NAME	DESCRIPTION	FINISH	
		White RAL 9016 W	Chrome C
WPC600	600w Wall Plate Controller for Standard Heating Cartridge	✓	✓
P1300	16mm Pattresse Box (Supplied Min 10pcs in a Carton)	✓	
P1400	25mm Pattresse Box (Supplied Min 10pcs in a Carton)		✓



PRODUCT NAME	DESCRIPTION	FINISH
		Chrome C
3BV	1/2" BSP 3Bar Valve for Electric Only Towel Rails - Nickel Plated Only	✓

DUAL FUEL COMPONENTS

PRODUCT NAME	DESCRIPTION	RETAIL PRICE £		
		White RAL 9016 W	Chrome C	Nickel N
TP	1/2" BSP T Piece For Dual Fuel Operation	✓	✓	✓
4w-TRV+	4 Way Radiator Valve With Thermostatic Control (White Sensor And Nickel Plated Body)			✓

FITTINGS



90MF12
1/2" BSP Male To Female SS Square Elbow (One)
Finishes Available:
Brushed Matt
Polished



180SL
200mm Long 15 in Diameter Straight Stainless Steel Tube
Finishes Available:
Brushed Matt
Polished

PRODUCT NAME	DESCRIPTION	FINISH	
		Brushed Matt S	Polished P
180MF12S	1/2" BSP Male To Female SS Straight 10mm	✓	✓
180MF12L	1/2" BSP Male To Female SS Straight 30mm	✓	✓
180MF34S	3/4" BSP Male To Female SS Straight 10mm	✓	✓
180MF34L	3/4" BSP Male To Female SS Straight 30mm	✓	✓
180FF1234	3/4" BSP Female To 1/2" BSP Female SS Straight	✓	✓
90SL	100+100mm 15mm In Diameter Elbow SS Tube	✓	✓

AIRVENTS & ACCESSORIES



SJA
1/2" Standard Airvent with "O" Ring - Nickel Plated
Nickel



SJP
1/2" Standard Plug with "O" Ring - Nickel Plated
Nickel



SJA-w
1/2" Standard Nickel Airvent with "O" Ring and White Plastic Water Diverter
Nickel



ASJA
1/2" Full Automatic Airvent with Changeable Cartridge
Nickel



SJP154
1/2" Type157 Nickel Plug Flat D26 Hex 8 1/2" EPDM
Nickel



SJAC-h
1/2" Designer Chrome Airvent with "O" ring, Semi-Auto
Chrome



SJPC-h
1/2" Designer Chrome Plug with "O" Ring, Chrome



SJA157
1/2" Type157 Nickel Airvent Flat D26 Hex 8 1/2" EPDM
Nickel



SPF
1/2" BSP Straight Male to 15mm Pipe Push Fit - Nickel Plated Only
Nickel

C1574
Plastic Cup For Type 157 Airvent and 154 Plug
Finishes Available:
White RAL 9016
Chrome
Nickel

INFINI MIRROR

Pair your beautiful Venetian or Lunar radiator with AEON's Infini Mirror, featuring a sophisticated LED inlay to create that iconic 'infinite' effect. The Infini Mirror attachment turns your vertical radiator into a multipurpose focal point, for added comfort and style.

SS MATERIAL
 SP FINISH
 V MOUNTING POS.
 20 YEARS WARRANTY

Infini Reflective Glass Surrounded by Blue LED Lights

PRODUCT NAME	DIMENSIONS			WALL TO FACE	GROSS WEIGHT	FINISHES	
	Height mm	Length mm	Depth mm	mm	kg	Brushed Matt S	Polished P
INM1826	1800	260	50	95-110	24.2	✓	✓
INM1836	1800	360	50	95-110	30.6	✓	✓
INM2026	2000	260	50	95-110	30.0	✓	✓
INM2036	2000	360	50	95-110	36.6	✓	✓



MODEL SHOWN: VEN2010-S with INM2026-S Infini Mirror (Brushed Matt)



MODEL SHOWN: LUN2005-S with INM2026-S Infini Mirror (Brushed Matt)



CLIP-ON ACCESSORIES



BHC
Button Robe Hanger (Pair)
Chrome



BHW
Button Robe Hanger (Pair)
White RAL 9016



4TB
400mm Clip-on Towel Bar for Straight
Shape Multi-Rail Towel Warmer



5TABW
500mm Towel Bar Arched Multi-Rail
Towel Warmer
White RAL 9016

5TB
500mm Towel Bar Straight Multi-Rail
Towel Warmer

6TABW
600mm Clip-on Towel bar for Arched
Multi-Rail Towel Warmer
White RAL 9016

6TB
600mm Clip-on Towel Bar for Straight
Shape Multi-Rail Towel Warmer

Finishes Available for all:
White RAL 9016
Chrome



5TABC
500mm Towel Bar for Arched Multirail
Towel Warmer
Chrome



VHW
V Hook (Pair)
White RAL 9016



VHC
V Hook (Pair)
Chrome



TPH
Toilet Paper Holder
Finishes Available:
White RAL 9016
Chrome

6TABC
600mm Clip-on Towel bar for Arched
Multirail Towel Warmer
Chrome



TR
Towel Ring
Finishes Available:
White RAL 9016
Chrome



TD
Towel Dryer
Finishes Available:
White RAL 9016
Chrome

BRACKETS

PRODUCT NAME	DESCRIPTION	FINISH				
		White RAL 9016 W	Chrome C	Nickel N	Brushed Matt S	Polished P
MB4-st	Set Of Wall Brackets For Straight Type Towel Rail (Windsor)	✓	✓			
MAB4-st	Set Of Wall Brackets For Arched Type Towel Rail (Windsor)	✓	✓			
TRI4	Triangular Type: Set of 4 Brackets For AEON			✓	✓	✓
CIR4	Circular Type: Set Of 4 Brackets For AEON			✓	✓	✓
SQU4	Square Type: Set Of 4 Brackets For AEON			✓	✓	✓

CLIP-ON ACCESSORIES

BATHROOM COLLECTION CHART

VH	TR	TD	TPH	BH	6TB	5TB	4TB	ACCESSORY	
•*	•*	•*	•*	•*			•*	ATILLA	
•	•		•	•*				FRONT BAR ROUP	BOLERO
•*	•*		•*	•*				REAR BAR GROUP, CENTRE	
•	•	•	•	•			•	CAPADDOCIA	
•	•	•	•	•		•	•	CAT LADDER	
•*	•*	•*	•*	•*		•*	•*	COMBE	
•*	•*	•*	•*	•*		•*	•*	FATIH	
•*	•*		•*	•*				GALLANT	
•*	•*	•*	•*	•*				GALLIPOLI	
•	•		•	•				KAPTAN	
•*	•*	•*	•*	•*		•*	•*	LABREN	
•	•	•	•	•		•	•	LINX	
•	•		•	•		•	•	PETIT	
•	•		•	•				PODIUM	
•	•	•	•	•			•	POPLAR	
•*	•*	•*	•*	•*	•*	•*	•*	S-TYPE	
•	•	•	•	•			•	550mm LENGTH	SEREN
•	•	•	•	•		•	•	650mm LENGTH	
•	•	•	•	•		•	•	SERHAD	
•*	•*	•*	•*	•*		•*	•*	SERIF	
•	•	•	•	•			•	SIESTA	
•*	•*	•*	•*	•*		•*	•*	TEMPEST	
•	•		•	•				400mm LENGTH	TORA
•	•	•	•	•			•	500mm LENGTH	
•	•	•	•	•		•	•	TROGON	
•*	•*	•*	•*	•*			•*	TUBO	
•*	•*	•*	•*	•*			•*	WINDSOR	
•	•		•	•				380mm LENGTH	ZENITH
•	•	•	•	•			•	480mm LENGTH	

- The Accessory Is Compatible With This Radiator Or Bathroom Rail
 - * Accessory Requires 2M5X655+B Pack To Fit
- 2M5X655+B is a fixing pack and is provided free of charge to specified radiators.

COMPATIBILITY CHART

AEON clip-on accessories come in a range of designs, and in white and chrome finishes to give you excellent choices to accessorise a radiator.

- The Accessory is Compatible With This Radiator Or Bathroom Rail
 - Accessory Requires 2M5X65S+B Pack To Fit
 - (n) Accessory Requires Minimum Number Of Sections (N) To Fit
 - *(n) Accessory Requires Minimum Number Of Sections (N) and 2M5X65S-B Pack To Fit
- 2M5X65S+B is a fixing pack and is provided free of charge to specified radiators:

SIGNATURE COLLECTION CHART

	ACCESSORY									
									ARAT E	
									ARAT L	
									BAMBOO WALL	
									DALYA E	
									DALYA L	
									VERTICAL MOUNT	•*(9)
									HORIZONTAL MOUNT	•*
									KARE E	
									KARE L	
									VERTICAL MOUNT	
									HORIZONTAL MOUNT	•
									MADONNA	
									MARION L	
									MERIDIEN	
									MYSTIC E	
									MYSTIC L	
									OTTOMAN (27 PIPES)	•
									PEGASUS	•*
									SOFI	
									VERTICAL MOUNT	•*(19)
									HORIZONTAL MOUNT	•*
									VERTICAL MOUNT <8 PIPES/SECTIONS	
									VERTICAL MOUNT >8 PIPES/SECTIONS	•(8)
									HORIZONTAL MOUNT	•
									VERTICAL MOUNT	•*(19)
									HORIZONTAL MOUNT	•*

IMZA

LUNAR

STRIA

SUPRA Single

VENETIAN

FULLY ELECTRIC READY HEATED TOWEL RAIL INFORMATION

Does your space need heating but have no immediate access to an existing water-supply? AEON is proud to present our delicately designed electric towel rails - your quick and easy solution.

WHAT'S INCLUDED

Our electric towel rails are provided pre-filled with a heat transfer liquid and fitted with a compatible heating element - all that's required from your space is a standard electrical outlet.

THE PERFECT LOCATION

The AEON electric towel rail range is perfect for conservatories, listed buildings and flats, and can be fitted anywhere - from the kitchen to the bathroom.

THE 3 BAR SAFETY METHOD

At AEON, we implement a 3 Bar Safety Method for all our Electric Towel Rails.

A 3BV - 3 Bar valve is provided with every product in this range. Installing this valve will eliminate the risk of the towel rail bursting due to high pressure when heated.

The 3BV replaces the plug fitted on top of one of your towel rail's uprights. You should not remove this plug until the towel rail is fitted upright onto the wall, to avoid leakage. Fit the 3BV before heating your towel rail for the first time.

Upgrade a Fully Electric Ready Towel Rail with a heating element or wall plate.

UPGRADE ACCESSORIES:

Mobus Heating Element
MB-C Chrome
MB-W White

Stoke Heating Element
ST-C Chrome
ST-W White

600 Wall Plate Controller For
Standard Heating Element
WPC600C Chrome
WPC600W White





COLOURS & FINISHES

STAINLESS STEEL FINISHES

AEON finishes will complement most interiors, from the highly Polished to the aluminium collection of textured finishes to add that final touch.

We also offer a bespoke collection, so if there is a finish you are after, contact us for this service. Please contact your nearest showroom or AEON Representative to view actual finishes.



ABS
Antique Bronze Brushed Matt
Stainless Steel Finish



BP
Bronze Polished Stainless
Steel Finish



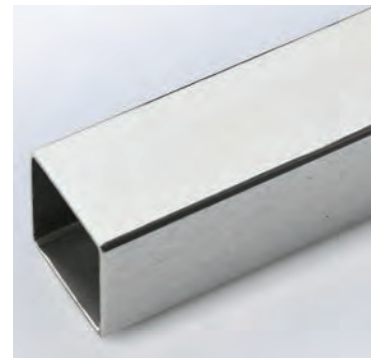
GP
Gold Polished Stainless
Steel Finish



GS
Gold Brushed Matt Stainless
Steel Finish



P
Polished Stainless
Steel Finish



S
Brushed Matt Stainless
Steel Finish



TIS
Titanium Brushed Matt Stainless
Steel Finish

The colours depicted on this chart are for guidance only. The displayed colour will depend on the print.

Not all colours and finishes can be shown accurately; however, we have tried to provide a good representation. The finished colour, therefore, may not be as shown here.

Finish Represented On Opposite Page: Stile ST512-7-ABS (Antique Bronze Brushed Matt Plated)

BASIC HEAT LOSS CALCULATOR

The AEON Basic Heat Loss Calculator is provided as a guideline to estimate a suitable radiator output that will keep your room at an efficient yet comfortable temperature.

According to EN442, inlet water temperature of 75°C, outlet water temperature of 65°C, and room temperature of 20°C are assumed. All heat output figures shown in our publications are aligned to EN442.

The total heat output of the radiator you choose must compensate for the heat loss of your room, so that it will maintain the interior temperature at 20°C. The following calculation will give you an indication of your heat loss. If you have limited wall space or a very large room, you can install more than one radiator per room.

It is advisable to locate radiators near windows and doors, where heat loss is highest.

MEASURE YOUR LIVING ROOM IN METRES:

Height_m : Length_m : Depth_m

ie : H:2.64m, L:3.65m, D:4.94m

CALCULATE THE VOLUME OF THE ROOM:

H x L x D = cubic metres

ie : 2.64 x 3.65 x 4.94 = 47.60 cubic metres

MULTIPLY BY A COEFFICIENT FOR EACH DESIRED ROOM TEMPERATURE:

42: bedrooms (to achieve 18°C)

52: bathrooms, wc, living, study, dining etc (to achieve 21°C)

IN OUR EXAMPLE:

The living room (52): 47.60 x 52 = 2475 watts

The heat loss in the living room is 2475 watts, but we need to consider the following factors for a better result - we need to add 10% for every factor given here below:

- Outside walls: if it is a corner room, calculate two outside walls, which means (10% and 10%)
- Northern aspect room
- Ceiling height more than 2.7m
- Excessively large windows
- Single glaze
- Outside temperature assumed as -1°C, but if you would like to assume -2°C add 10%, -4°C add another 10%, -10°C add another 10%

IN OUR EXAMPLE, WE HAVE:

One outside wall, and one excessive window.

2475 x 1.1 x 1.1 = 2970 watts or 2554 kcal or 10144 btu - the final heat loss calculation.

QUALITY & PERFORMANCE

QUALITY AND TECHNOLOGY

AEON towel radiators are manufactured using the most technically advanced, modern equipment and tested to EN442, the harmonised European Standard.

Heat outputs in this brochure are certified by the independent testing authority – HKL Laboratories of Stuttgart in Germany.

CERTIFICATION

AEON radiators carry the BS kitemark, which certifies independent approval of heat output to BS EN442 and verifies production under BS ISO 9000 quality system.

ENERGY AND ENVIRONMENT

The efficient use of energy and materials is a constant objective of AEON and a highly qualified team of design and production engineers constantly reviews opportunities for improvement.

WATER TREATMENT

The manufacturer's warranty will only be valid if radiators are installed in accordance with BS 5449 section 5 'Commissioning'.

Please call for further AEON terms and conditions of sale.

THE AEON COLLECTION

All the products are manufactured out of 100% stainless steel* ensuring that the AEON Collection will keep their good looks for as long as the name suggests.

Our commitment to quality is backed by a 20-year warranty for the stainless steel collection and 10-year warranty for the aluminium collection.

Radiators are supplied with brackets, blanking plugs, airvents, fixing screws, rawl plugs, airvent key and 1/2" connections.

*Not applicable to Rende (mild steel core)

Heat output listed in this brochure as 75/65/20°C with Delta T of 50°C, means 75°C inlet water temperature, 65°C outlet water temperature and 20°C room temperature.

AEON stainless steel radiators can be used in both direct (open circuit) and indirect (closed circuit) applications. Open systems are supplied by special order only at a small additional cost. Closed systems are available from stock.

Radiators are finished in brushed satin chrome stainless steel with no coating or treatment.

AEON POLICY

Ownership and property rights of the designs in this publication belong to AEON and are registered in the UK and major trade mark and design registry offices worldwide.

The complete AEON range is not limited to the content of this brochure, additional products launched between publications will appear on our website: www.aeon.uk.com

DELIVERY AND RECEIPT OF YOUR GOODS

Do not book your plumber until goods have been delivered and checked.

DATE OF DELIVERY

For items in stock, a suitable delivery date should be arranged at time of order.

For out-of-stock items, an estimated delivery time will be stated on the invoice/receipt.

Please note that the estimated delivery date does not form part of the contract.

TIME OF DELIVERY

Standard service is any time between 9am and 5pm. Timed deliveries can be made but at an extra cost.

In some instances it may therefore be more convenient to have items delivered to a work address where someone is present to sign for them. In the unlikely event that goods do not arrive before 5pm (for standard service, or the relevant time for a timed delivery), please let us know the following or same day.

MEETING THE DELIVERY

Someone will need to be at the delivery address on the day of delivery.

Outside packaging should be inspected before signing the delivery note*. If there is no-one available to sign for delivery, arrangements will be made to re-deliver at an additional cost to the customer.

*If parcels are damaged or have been tampered with in any way they should not be signed for unless marked 'DAMAGED' or 'SHORT DELIVERED'.

No claim for damage in transit or shortage will be accepted if signed for 'RECEIVED IN GOOD CONDITION' or 'UNCHECKED' or 'NOT EXAMINED'.

Please note that, due to Health and Safety legislation, the driver is only allowed to deliver radiators to the nearest hard standing (pavement or driveway) and is not required to carry the radiators up any steps.

Where a radiator is too large or heavy for one man to handle safely, please ensure someone is available at the delivery address to assist the driver.

WITHIN 24 HOURS OF RECEIVING RADIATORS

Please unwrap and thoroughly inspect goods. Any visible fault or imperfection (or missing parts) must be reported to AEON within one working day (24 hours) of receipt to enable us to send a replacement, otherwise goods shall be deemed to be acceptable.

A content sheet will be enclosed in the box with the radiator to enable you to check that all parts are present.

In the unlikely event that your radiator is visibly faulty, please ensure that you retain all the original packaging. We cannot accept back any radiator on the grounds of visible damage or visible fault if it has been plumbed in.

PIPE CENTRES

We can provide information on the exact position of pipework for any of our radiators.

This means the pipework can be installed before you receive your radiators. Please call if you require these measurements.

GLOSSARY

BTU	The BTU (British Thermal Unit) is the standard measurement used to define the amount of heat output of any heating appliance.
WATTS	Is another measurement for heat output, 1-watt converts to 3.412 BTU per hour.
ΔT 50	Delta T or ΔT 50 represents the difference between two temperatures - e.g. between a radiator and a room. It is the current European testing standard.
HEAT LOSS	Is the measure of heat a room loses, which is consequently an important calculation when determining what sized radiator is required to heat a space to the correct level.
WARRANTY	Our commitment to quality is backed by a 20-year warranty for the stainless steel collection, a 10-year warranty for the aluminium collection and 12-months for the Fully Electric Ready collection. Further details available on request.
PRODUCT CODE	Is the unique identification code for all AEON products - this is used when ordering or inquiring about products.
RAL	A European wide colour matching system. Where this symbol is displayed, radiators are available in RAL colour chart options.
FINISH	The finish refers to the appearance of the stainless steel radiator. This finish is stated on the catalogue product page. The back surface of the "Polished Radiators" which are only mounted onto the wall is always Brushed Matt as the backside faces the wall except for Free Standing models.
TECHNICAL DRAWING	The technical drawing refers to the outlined illustration for each radiator size. The technical data illustrates how the radiator needs to be fitted including dimension, distance and bracket information. Please note, not all technical drawings for every radiator is in this catalogue. Please contact us for specific technical drawings.
EN 442	EN 442 is the European standard which defines the manufacturing standards for radiators and convectors which operate at temperatures of less than 120°C. The standard defines the type of steel which must be used, the type of pressure testing which must be carried out and the accuracy of the heat outputs quoted in all AEON literature.
ISO 9001	Is a set of International regulations related to quality management systems.
ISO 14001	Is a set of International regulations related to the environment.
FULLY ELECTRIC	Provided pre-filled with a heat transfer liquid and fitted with a compatible heating element.
E	Electric Only towel rail or radiator.
H	Hot Water only towel rail or radiator.
D	Dual Fuel; which is both electric in summer and central heating hot water in winter.
DELIVERY	Special Made To Order and bespoke items: These are hand-made with a lead time of 6-8 weeks. Stocked items are available with faster delivery.
PIPE CENTRE	Pipe centre measurements are incorporating pair of valve distance of 45mm each where applicable.

TERMS & CONDITIONS OF SALE

The Buyer's attention is in particular drawn to the provisions of condition 10.

- 1. Interpretation**
 - 1.1 The definitions and rules of interpretation in this condition apply in these conditions.
 - 1.2 Buyer: the person, firm or company who purchases the Goods from the Seller.
 - 1.3 Contract: any contract between the Seller and the Buyer for the sale and purchase of the Goods, incorporating these conditions.
 - 1.4 Delivery Point: the place where delivery of the Goods is to take place under condition 4.
 - 1.5 Goods: any goods agreed in the Contract to be supplied to the Buyer by the Seller (including any part or parts of them).
 - 1.6 Seller: Pitacs Limited trading as Ultraheat, Aeon, or TIME, TIME Cables, TIME LED, TIME Cable Clips, TIME panel light, etc as well as trading as TIME (registered in England and Wales with company number 02505544).
 - 1.7 Specification: any specification for the Goods, including any related plans and drawings, that is agreed by the Buyer and the Seller.
 - 1.8 Words in the singular include the plural and in the plural include the singular.
 - 1.9 A reference to one gender includes a reference to the other gender.
 - 1.10 Condition headings do not affect the interpretation of these conditions.
 - 1.11 A reference to a statute or statutory provision is a reference to such statute or provision as amended or re-enacted. A reference to a statute or statutory provision includes any subordinate legislation made under that statute or statutory provision, as amended or re-enacted.
 - 1.12 Any phrase introduced by the terms including, include, in particular or similar expression shall be construed as illustrative and shall not limit the sense of the words preceding those terms.
 - 1.13 A reference to writing or written includes faxes and e-mails.
- 2. Application of these conditions**
 - 2.1 Subject to any variation under condition 2.3 the Contract shall be on these conditions to the exclusion of all other terms and conditions (including any terms or conditions which the Buyer purports to apply under any purchase order, confirmation of order, Specification or other document) which are implied by trade, custom or course of dealing.
 - 2.2 No terms or conditions endorsed on, delivered with or contained in the Buyer's purchase order, confirmation of order, Specification or other document shall form part of the Contract simply as a result of such document being referred to in the Contract.
 - 2.3 These conditions apply to all the Seller's sales and any variation to these conditions and any representations about the Goods shall have no effect unless expressly agreed in writing and signed by a director of the Seller. The Buyer acknowledges that it has not relied on any statement, promise or representation made or given by or on behalf of the Seller which is not set out in the Contract. Nothing in this condition shall exclude or limit the Seller's liability for fraudulent misrepresentation.
 - 2.4 Each order or acceptance of a quotation for Goods by the Buyer from the Seller shall be deemed to be an offer by the Buyer to buy Goods subject to these conditions.
 - 2.5 No order placed by the Buyer shall be deemed to be accepted by the Seller until a written acknowledgement of order is issued by the Seller or (if earlier) the Seller delivers the Goods to the Buyer.
 - 2.6 The Buyer shall ensure that the terms of its order and any applicable Specification are complete and accurate.
 - 2.7 Any quotation is given on the basis that no Contract shall come into existence until the Seller despatches an acknowledgement of order to the Buyer or (if earlier) the Seller delivers the Goods to the Buyer. Any quotation is valid for a period of 30 days only from its date, provided that the Seller has not previously withdrawn it.
- 3. Description**
 - 3.1 The quantity and description of the Goods shall be as set out in the Buyer's quotation or acknowledgement of order.
 - 3.2 All samples, drawings, descriptive matter, Specifications and advertising issued by the Seller and any descriptions or illustrations contained in the Seller's catalogues or brochures are issued or published for the sole purpose of giving an approximate idea of the Goods described in them. They shall not form part of the Contract and no sale is a sale by sample.
 - 3.3 To the extent that the Goods are to be manufactured in accordance with a Specification supplied by the Buyer, the Buyer shall indemnify the Seller against all liabilities, costs, expenses, damages and losses (including any direct, indirect or consequential loss, loss of profit, loss of reputation and all interest, penalties and legal and other professional costs and expenses) suffered or incurred by the Seller in connection with any claim made against the Seller for actual or alleged infringement of a third party's intellectual property rights arising out of or in connection with the Seller's use of the Specification. This condition 3.3 shall survive termination of the Contract.
 - 3.4 The Seller reserves the right to amend the Specification if required by any applicable statutory or regulatory requirements. If such amendments will materially change the nature or quality of the Goods, the Seller shall notify the Buyer who may then terminate the Contract.
- 4. Delivery**
 - 4.1 Unless otherwise agreed in writing by the Seller, delivery of the Goods shall take place at the Seller's place of business.
 - 4.2 Delivery is completed on the completion of loading of the Goods at the Delivery Point.
 - 4.3 The Buyer shall take delivery of the Goods within 10 days of the Seller giving notice that the Goods are ready for delivery.
 - 4.4 Any dates specified by the Seller for delivery of the Goods are intended to be an estimate (and not of the essence) and time for delivery shall not be made of the essence by notice. If no dates are so specified, delivery shall be within a reasonable time.
 - 4.5 Subject to the other provisions of these conditions, the Seller shall not be liable for any direct, indirect or consequential loss (all three of which terms include, without limitation, pure economic loss, loss of profits, loss of business, depletion of goodwill and similar loss), costs, damages, charges or expenses caused directly or indirectly by any delay in the delivery of the Goods (even if caused by the Seller's negligence), nor shall any delay entitle the Buyer to terminate or rescind the Contract unless such expenses exceed 100% of the price of the Goods.
 - 4.6 If for any reason the Buyer fails to take or accept delivery of any of the Goods within 10 days of the Seller giving it notice that the Goods are ready for delivery, or the Seller is unable to deliver the Goods on time because the Buyer has not provided appropriate instructions, documents, licences or authorisations:
 - (a) risk in the Goods shall pass to the Buyer (including for loss or damage caused by the Seller's negligence);
 - (b) the Goods shall be deemed to have been delivered at 9.00 am on the tenth day after the day on which the Seller notified the Buyer that the Goods were ready for delivery; and
 - (c) the Seller may store the Goods until delivery, whereupon the Buyer shall be liable for all related costs and expenses (including, without limitation, storage and insurance).
 - 4.7 If 10 days after the day on which the Seller notified the Buyer that the Goods were ready for delivery the Buyer has not taken or accepted delivery of them, the Seller may, as an alternative or in addition to its rights under condition 4.6(c), resell or otherwise dispose of part or all of the Goods and, after deducting reasonable storage and selling costs, account to the Buyer for any excess over the price of the Goods or charge the Buyer for any shortfall below the price of the Goods.
 - 4.8 The Buyer shall provide at the Delivery Point and at its expense adequate and appropriate equipment and manual labour for loading the Goods. The Seller's delivery personnel shall not be required to:
 - (a) deliver Goods to any place at the Delivery Point beyond the ground level hard surface nearest to the Seller's vehicle; nor
 - (b) carry Goods up steps.
 - 4.9 The Seller may deliver the Goods by separate instalments. Each separate instalment shall be invoiced and paid for in accordance with the provisions of the Contract. Any delay in delivery or defect in an instalment shall not entitle the Buyer to cancel any other instalment.
 - 4.10 Each instalment shall be a separate Contract and no cancellation or termination of any one Contract relating to an instalment shall entitle the Buyer to repudiate or cancel any other Contract or instalment.
 - 4.11 Unless the Buyer has ordered and paid for a special time delivery at a time and place agreed by the Seller, the time of delivery shall be at any time on the date of delivery between 8am and 5pm.
 - 4.12 The Buyer or its representative shall attend at the Delivery Point on the date and at the time of delivery and shall:
 - (a) forthwith inspect the outside of all packages before signing the delivery note on which note the inspector shall record all and any damage or short delivery; and
 - (b) within 24 hours of delivery,
 - (i) unpack and thoroughly inspect the Goods received; and
 - (ii) check the Goods received against the Goods ordered; and
 - (iii) report forthwith to the Seller any visible faults or imperfections and any missing Goods or parts thereof; and
 - (iv) retain the packaging and delivery documentation of any faulty or imperfect Goods for inspection by the Seller; and
 - (v) not install, adapt, sell or dispose of (nor permit any other person to install, adapt, sell or dispose of) any Goods which the Buyer and/or the person inspecting the delivered Goods has found to be faulty, imperfect or incomplete.
 - 5. Non-delivery**
 - 5.1 The quantity of any consignment of Goods as recorded by the Seller on despatch from the Seller's place of business shall be conclusive evidence of the quantity received by the Buyer on delivery unless the Buyer can provide conclusive evidence proving the contrary.
 - 5.2 The Seller shall not be liable for any non-delivery of Goods (even if caused by the Seller's negligence) unless the Buyer gives written notice to the Seller of the non-delivery within 4 days of the date when the Goods would in the ordinary course of events have been received.
 - 5.3 Any liability of the Seller for non-delivery of the Goods shall be limited to replacing the Goods within a reasonable time or issuing a credit note at the pro rata contract rate against any invoice raised for such Goods.
 - 6. Risk/title**
 - 6.1 The Goods are at the risk of the Buyer from the time of delivery.
 - 6.2 All Goods supplied by the Seller free of charge remain at all times the property of the Seller unless and until the Seller has agreed in writing to sell such Goods to the Buyer and has received payment in full in accordance with sub-condition 6.3 below. Samples supplied by the Seller free of charge may be used for display purposes only and shall be returned (at the Buyer's expense) to the Seller complete and in saleable condition within 3 months of delivery unless a longer period has been agreed in writing by the Seller.
 - 6.3 Ownership of the Goods shall not pass to the Buyer until the Seller has received in full (in cash or cleared funds) all sums due to it in respect of:
 - (a) the Goods; and
 - (b) all other sums which are or which become due to the Seller from the Buyer on any account.
 - 6.4 Until ownership of the Goods has passed to the Buyer, the Buyer shall:
 - (a) hold the Goods on a fiduciary basis as the Seller's bailee;
 - (b) store the Goods (at no cost to the Seller) separately from all other goods of the Buyer or any third party in such a way that they remain readily identifiable as the Seller's property;
 - (c) not destroy, deface or obscure any identifying mark or packaging on or relating to the Goods;
 - (d) maintain the Goods in satisfactory condition and keep them insured on the Seller's behalf for their full price against all risks to the reasonable satisfaction of the Seller from the date of delivery. On request the Buyer shall produce the policy of insurance;
 - (e) notify the Seller immediately if it becomes subject to any of the events listed in condition 6.6; and
 - (f) give the Seller such information relating to the Goods as the Seller may require from time to time.
 - 6.5 The Buyer may resell the Goods before ownership has passed to it solely on the following conditions:
 - (a) any sale shall be effected in the ordinary course of the Buyer's business at full market value;
 - (b) it does so as principal and not as the Seller's agent; and
 - (c) ownership of the Goods shall pass from the Seller to the Buyer immediately before the time at which resales by the Buyer occurs.
 - 6.6 The Buyer's right to possession of the Goods shall terminate immediately if:
 - (a) the Buyer has a bankruptcy order made against him or makes an arrangement or composition with his creditors, or otherwise takes the benefit of any statutory provision for the time being in force for the relief of insolvent debtors (being a body corporate) convenes a meeting of creditors (whether formal or informal), or enters into liquidation (whether voluntary or compulsory) except a solvent voluntary liquidation for the purpose only of reconstruction or amalgamation, or has a receiver and/or manager, administrator or administrative receiver appointed if its undertaking or any part thereof, or documents assigned with the court for the appointment of an administrator of the Buyer or notice of intention to appoint an administrator is given by the Buyer or its directors or by a qualifying floating charge holder (as defined in paragraph 14 of Schedule B1 to the Insolvency Act 1986), or a resolution is passed or a petition presented to any court for the winding-up of the Buyer or for the granting of an administration order in respect of the Buyer; or any proceedings are commenced relating to the insolvency or possible insolvency of the Buyer; or
 - (b) the Buyer suffers or allows any execution, whether legal or equitable, to be levied on his/its property or obtained against him/it, or fails to observe or perform any of his/its obligations under the Contract or any other contract between the Seller and the Buyer, or is unable to pay its debts within the meaning of section 123 of the Insolvency Act 1986 or the Buyer ceases to trade; or
 - (c) the Buyer encumbers or in any way charges any of the Goods.
 - 6.7 If before ownership of the Goods passes to the Buyer the Buyer becomes subject to any of the events listed in condition 6.6, then, without limiting any other right or remedy the Seller may have:
 - (a) the Buyer's right to resell the Goods or use them in the ordinary course of its business ceases immediately; and
 - (b) the Seller may at any time:
 - (i) require the Buyer to deliver up all Goods in its possession that have not been resold, or irrevocably incorporated into another product; and
 - (ii) if the Buyer fails to do so promptly, enter premises of the Buyer or of any third party where the Goods are stored in order to recover them.
 - 6.8 The Seller shall be entitled to recover payment for the Goods notwithstanding that ownership of any of the Goods has not passed from the Seller.
 - 6.9 The Buyer grants the Seller, its agents and employees an irrevocable licence at any time to enter any premises where the Goods are or may be stored in order to inspect them, or, where the Buyer's right to possession has terminated, to recover them.
 - 6.10 To the extent the Seller is unable to determine whether any Goods are the goods in respect of which the Buyer's right to possession has terminated, the Buyer shall be deemed to have sold all goods of the kind sold by the Seller to the Buyer in the order in which they were invoiced to the Buyer.
 - 6.11 On termination of the Contract, however caused, the Seller's (but not the Buyer's) rights contained in this condition shall remain in effect.
 - 7. Price**
 - 7.1 Unless otherwise agreed by the Seller in writing, the price for the Goods shall be the price set out in the Seller's price list published on the date of delivery or deemed delivery.
 - 7.2 The price for the Goods shall be:
 - (a) exclusive of any value added tax (VAT), which the Buyer shall additionally be liable to pay to the Seller at the prevailing rate, subject to the receipt of a valid VAT invoice; and
 - (b) exclusive of all costs or charges in relation to packaging, loading, unloading, carriage and insurance, all of which amounts the Buyer shall pay in addition when it is due to pay for the Goods provided that in respect of Goods delivered within Great Britain the price of Goods shall include:
 - (i) packaging, loading, unloading, and an element of insurance cover (for details of which cover please contact the Seller); and
 - (ii) (for each order that is confirmed by the Seller to exceed its minimum order quantity in respect of that product type and delivery destination) the cost of carriage.
 - 7.3 The Seller may, by giving notice to the Buyer at any time before delivery, increase the price of the Goods to reflect any increase in the cost of the Goods that is due to:
 - (a) any request by the Buyer to change the delivery date(s), quantities or types of Goods ordered, or the Specification; or
 - (b) any delay caused by any instructions of the Buyer or failure of the Buyer to give the Seller adequate or accurate information or instructions.
 - 8. Payment**
 - 8.1 Unless otherwise agreed, the Buyer shall pay in full the price for the Goods in pounds sterling (GBP) or other currency as indicated on the invoice or proforma at the time of placing its order with the Seller. Any payment deferred, credit, return or prompt payment discount terms granted to the Buyer by the Seller may be changed or cancelled at any time.
 - 8.2 Subject to condition 8.4, payment of the full balance of the price for the Goods is due in pounds sterling on the due date as stated on the invoice.
 - 8.3 Time for payment shall be of the essence.
 - 8.4 No payment shall be deemed to have been received until the Seller has received cleared funds.
 - 8.5 All payments payable to the Seller under the Contract shall become due immediately on its termination, however caused, despite any other provision.
 - 8.6 The Buyer shall make all payments due under the Contract in full without any deduction whether by way of set-off, counterclaim, discount, abatement or otherwise unless the Buyer has a valid court order requiring an amount equal to such deduction to be paid by the Seller to the Buyer. The Seller may at any time, without limiting any other rights or remedies it may have, set-off any amount owing to it by the Buyer against any amount payable by the Seller to the Buyer.
 - 8.7 If the Buyer fails to pay the Seller any sum due pursuant to the Contract, the Buyer shall be liable to pay interest to the Seller on such sum from the date of payment at the annual rate of 4% above the base lending rate from time to time of Barclays Bank, accruing on a daily basis until payment is made, whether before or after any judgment. The Buyer shall pay the interest together with the overdue amount. The Seller reserves the right to elect to claim interest and late payment compensation under the Late Payment of Commercial Debts (Interest) Act 1998.
 - 8.8 Should the Buyer be required to enforce the terms of the Contract against the Buyer (including, without limitation, to recover the price of the Goods) then the Buyer will indemnify the Seller against all costs and expenses (including professional and legal costs and expenses on a full indemnity basis) suffered or incurred by the Seller arising out of or in connection with the Seller enforcing the terms of the Contract.
 - 9. Quality**
 - 9.1 Where the Seller is not the manufacturer of the Goods, the Seller shall endeavour to transfer to the Buyer the benefit of any warranty or guarantee given to the Seller.
 - (a) The Seller warrants that (subject to the other provisions of these conditions):
 - (i) on delivery, and for a period of 12 months from the date of delivery (Warranty Period), the Goods shall: conform in all material respects with their description and any applicable Specification; be free from material defects in design, materials or manufacture; and
 - (ii) be of satisfactory quality within the meaning of the Sale of Goods Act 1979; and
 - (iii) be reasonably fit for any particular purpose for which the Goods are being bought if (the Buyer has made known that purpose to the Seller in writing and the Seller has confirmed in writing that it is reasonable for the Buyer to rely on the skill and judgement of the Seller; and
 - (iv) on delivery, the products shall be free from material defects resulting from faulty manufacture or workmanship; for the following periods:
 - (i) Electrical only or dual fuel radiators and towel rails: 12 months
 - (ii) LED lamps, fittings and associated accessories: 1, 2, 3 or 5 years, as stated in the literature provided with the product at the point of sale.
 - (iii) LED Light Panels: 5 years
 - (iv) Panels, as stated in the literature provided with the product at the point of sale.
 - (v) Water Treatment Products: Magnetic Filter and Electrolyse Scale Reducer: 2 years
 - (b) on delivery, and for a period of 5 years from the date of delivery, Ultraheat Premier Range, and (excluding Goods falling within the foregoing condition 9.2(b)) shall be free from material defects resulting from faulty manufacture or workmanship; and
 - (c) on delivery, and for a period of 20 years from the date of delivery, conditional warranty on Aeon Stainless steel products (excluding Goods falling within the foregoing conditions 9.2(b), (c), (d) or (e)) shall be free from leakage resulting from material defects due to faulty manufacture or workmanship. (Conditional means we would need to be informed if the system is an open system that is fed by mains water or direct hot water cylinder).
 - (d) on delivery, and for a period of 10 years from the date of delivery, conditional warranty on Aeon Aluminium products (excluding Goods falling within the foregoing conditions 9.2(b), (c), (d) or (e)) shall be free from leakage resulting from material defects due to faulty manufacture or workmanship. (Conditional means we would need to be informed if the system is an open system that is fed by mains water or direct hot water cylinder).
 - 9.2 The Seller shall not be liable for a breach of any of the warranties in condition 9.2 unless:
 - (a) the Buyer has complied with its obligations under these terms and conditions, in particular (without limitation) the Buyer's obligations pursuant to condition 4.12 above to inspect all Goods upon and immediately following delivery and notify the Seller promptly and in full of any faulty, imperfect or incomplete Goods; and
 - (b) the Buyer gives written notice of the defect to the Seller during the applicable warranty period set out in condition 9.2 within a reasonable time of discovery that such one of all the Goods does not comply with the warranties in condition 9.2, and if the defect is a result of damage in transit to the carrier, within 3 days of the time when the Buyer discovers or ought to have discovered the defect; and
 - (c) the Seller is given a reasonable opportunity after receiving the notice of examining such Goods and the Buyer (if asked to do so by the Seller) returns such Goods to the Seller in condition 9.2 at the Seller's expense, return the Goods to the part of such Goods which is defective to the Seller.
 - 9.3 The Seller shall not be liable for a breach of any of the warranties in condition 9.2 if:
 - (a) the Buyer makes any further use of such Goods after giving such notice; or
 - (b) the defect arises because the Buyer failed to follow the Seller's oral or written instructions as to the storage, installation, commissioning, use or maintenance of the Goods or (if there are none) good trade practice; or
 - (c) the serial numbers on the Goods have been removed, erased, concealed or for any other reason are unavailable; or
 - (d) the defect in question arises in whole or in part from reasonable wear and tear, wilful damage, negligence or abnormal storage or working conditions; or
 - (e) the Goods have not been installed with reasonable competence and in accordance with the best industry standards in the UK for professional installation of heating and plumbing goods; or
 - (f) the Buyer alters or repairs such Goods without the written consent of the Seller; or
 - (g) the defect arises as a result of the Seller following any drawing, design or Specification supplied by the Buyer; or
 - (h) the Goods differ from their description or the Specification as a result of changes made to ensure they comply with applicable statutory or regulatory requirements.
 - 9.5 Subject to condition 9.3 and condition 9.4, if any of the Goods do not conform with either of the warranties in condition 9.2 the Seller shall at its option repair or replace such Goods (or the defective part) or refund the price of such Goods at the pro rata Contract rate provided that, if the Seller so requests, the Buyer shall, at the Seller's expense, return the Goods to the part of such Goods which is defective to the Seller.
 - 9.6 If the Seller complies with condition 9.5 it shall have no further liability for a breach of any of the warranties in condition 9.2 in respect of such Goods.
 - 9.7 Any Goods replaced shall belong to the Seller and any repaired or replacement Goods shall be guaranteed on these terms for the unexpired portion of the applicable warranty period set out in condition 9.2.

- 9.8 The terms implied by sections 13 to 15 of the Sale of Goods Act 1979 are, to the fullest extent permitted by law, excluded from the Contract.
- 9.9 These conditions shall apply to any repaired or replacement Goods supplied by the Seller.
- 10. Limitation of liability**
 - 10.1 Subject to condition 4, condition 5 and condition 9, the following provisions set out the entire financial liability of the Seller (including any liability for the acts or omissions of its employees, agents and sub-contractors) to the Buyer in respect of:
 - (a) any breach of these conditions;
 - (b) any use made or resale by the Buyer of any of the Goods, or of any product incorporating any of the Goods; and
 - (c) any representation, statement or tortious act or omission including negligence arising under or in connection with the Contract.
 - 10.2 All warranties, conditions and other terms implied by statute or common law (save for the conditions implied by section 12 of the Sale of Goods Act 1979) are, to the fullest extent permitted by law, excluded from the Contract.
 - 10.3 Nothing in these conditions excludes or limits the liability of the Seller:
 - (a) for death or personal injury caused by the Seller's negligence, or the negligence of its employees, agents or sub-contractors; or
 - (b) under section 2(3) of the Consumer Protection Act 1987; or
 - (c) for any matter which would be illegal for the Seller to exclude or attempt to exclude its liability; or
 - (d) for fraud or fraudulent misrepresentation.
 - 10.4 Subject to condition 10.2 and condition 10.3:
 - (a) the Seller's total liability in contract, tort (including negligence or breach of statutory duty), misrepresentation, restitution or otherwise arising in connection with the performance or contemplated performance of the Contract shall be limited to the Contract price; and
 - (b) the Seller shall not be liable to the Buyer for indirect or consequential loss of profit or loss of business which arise out of or in connection with the Contract, whether in contract, tort (including negligence), breach of statutory duty, or otherwise.
 - 10.5 The Seller acknowledges and agrees that it is a business customer by virtue of the Goods being received by it for business purposes.
 - 10.6 The Buyer acknowledges and agrees that:
 - (a) it has read and fully understood the limitations and exclusions of the obligations and liabilities of the Seller set out in these conditions;
 - (b) it has freely agreed to them;
 - (c) they are reasonable and formed the basis for setting the price of the Goods;
 - (d) it freely accepts the risks associated with them; and
 - (e) it is able to insure itself against all or some of those risks should it so desire.
- 11. Assignment**
 - 11.1 The Seller may at any other time assign, transfer, mortgage, charge, sub-contract, declare a trust over or deal in any manner with any or all of its rights or obligations under the Contract or any part of it to any person, firm or company.
 - 11.2 The Buyer shall not be entitled to assign, transfer, mortgage, charge, sub-contract, declare a trust over or otherwise deal in any manner with any or all of its rights or obligations under the Contract or any part of it without the prior written consent of the Seller.
- 12. Termination**
 - 12.1 Without limiting its other rights or remedies, the Seller may terminate the Contract with immediate effect by giving written notice to the Buyer if:
 - (a) the Buyer commits a material breach of any term of the Contract and (if such breach is remediable) fails to remedy that breach within 14 days of the Buyer being notified in writing to do so;
 - (b) the Buyer takes any step or action in connection with those events set out in condition 6.6;
 - (c) the Buyer suspends, threatens to suspend, ceases or threatens to cease to carry on all or a substantial part of its business; or
 - (d) the Buyer's financial position deteriorates to such an extent that in the Seller's opinion the Buyer's capacity to adequately fulfill its obligations under the Contract has been placed in jeopardy.
 - 12.2 Without limiting its other rights or remedies, the Seller may terminate the Contract with immediate effect by giving written notice to the Buyer if the Buyer fails to pay any amount due under the Contract on the due date for payment.
 - 12.3 Termination of the Contract shall not affect any of the parties' rights and remedies that have accrued as at termination, including the right to claim damages in respect of any breach of this Contract that existed at or before the date of termination.
 - 12.4 Any provision of the Contract that expressly or by implication is intended to come into or continuation in force on or after termination shall remain in full force and effect.
- 13. Force majeure**

The Seller reserves the right to defer the date of delivery or to cancel the Contract or reduce the volume of the Goods ordered by the Buyer (without liability to the Buyer) if it is prevented from or delayed in the carrying out of its business due to circumstances beyond the reasonable control of the Seller including, without limitation, acts of God, governmental actions, war or national emergency, acts of terrorism, protests, riot, civil commotion, fire, explosion, flood, epidemic, lock-outs, strikes or other labour disputes (whether or not relating to either party's workforce), or restraints or delays affecting carriers or inability or delay in obtaining supplies of adequate or suitable materials, provided that, if the event in question persists for a continuous period in excess of 90 days, the Buyer shall be entitled to give notice in writing to the Seller to terminate the Contract.
- 14. Entire agreement**

The Contract constitutes the entire agreement between the parties and supersedes and extinguishes all previous agreements, promises, assurances, warranties, representations and understandings between them, whether written or oral, relating to its subject matter.
- 15. General**
 - 15.1 Each right or remedy of the Seller under the Contract is without prejudice to any other right or remedy of the Seller under the Contract.
 - 15.2 If any provision or part-provision of the Contract is found by any court, tribunal or administrative body of competent jurisdiction to be wholly or partly illegal, invalid, void, voidable, unenforceable or unreasonable it shall to the extent of such illegality, invalidity, voidness, voidability, unenforceability or unreasonableness be deemed severable and the remaining provisions of the Contract and the remainder of such provision shall continue in full force and effect. In such circumstances, the parties shall negotiate in good faith to amend such provision or part-provision so that, as amended, it is legal, valid and enforceable and, to the greatest extent possible, achieves the intended commercial result of the original provision or part-provision.
 - 15.3 Failure or delay by the Seller in enforcing or partially enforcing any provision of the Contract shall not be a breach of the Contract or any of its rights under the Contract, nor shall it prevent or restrict the further exercise of that or any other right or remedy.
 - 15.4 Any waiver by the Seller of any breach of, or any default under, any provision of the Contract by the Buyer shall not be deemed a waiver of any subsequent breach or default and shall in no way affect the other terms of the Contract.
 - 15.5 The parties to the Contract do not intend that any term of the Contract shall be enforceable by virtue of the Contract (Rights of Third Parties) Act 1999 by any person that is not a party to it.
 - 15.6 The formation, extension, continuation, performance, validity and all aspects of the Contract shall be governed by English law and the parties submit to the exclusive jurisdiction of the English courts in relation to the settlement of any dispute or claim (including non-contractual disputes or claims) arising out of or in connection with the Contract.
- 16. Communications**
 - 16.1 All communications between the parties about the Contract shall be in writing and delivered by hand or sent by pre-paid first class post or sent by fax or e-mail.
 - (a) in case of communications to the Seller to its registered office or such changed address as shall be notified to the Buyer by the Seller; or
 - (b) in the case of the communications to the Buyer) to the registered office of the addressee (if it is a company) or (in any other case) to any address of the Buyer set out in any document which forms part of the Contract or such other address as shall be notified to the Seller by the Buyer.
 - 16.2 Communications shall be deemed to have been received:
 - (a) if sent by pre-paid first class post, two days (excluding Saturdays, Sundays and bank and public holidays) after posting (exclusive of the day of posting); or
 - (b) if delivered by hand, on the day of delivery; or
 - (c) if sent by fax or e-mail on a working day prior to 4.00 pm, at the time of transmission and otherwise on the next working day.
 - 16.3 In relation to the services, the Customer:
 - (a) agrees that Pitacs may from time to time monitor or record calls made to Pitacs or by Pitacs to improve customer service, and/or training and marketing purposes.

Terms and conditions are available as a PDF file upon request. Alternatively, they can be downloaded from our website.





AEON

AEON is the heating division of Pitacs Limited

Bradbourne Point, Bradbourne Drive,
Tilbrook, Milton Keynes
Buckinghamshire, MK7 8AT
United Kingdom

T: +44 (0)1908 271155

F: +44 (0)1908 640017

E: aeon@pitacs.com

W: www.aeon.uk.com