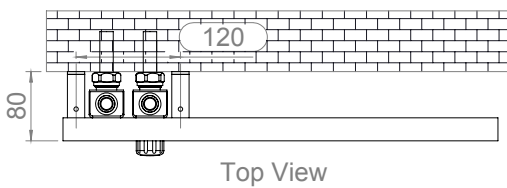
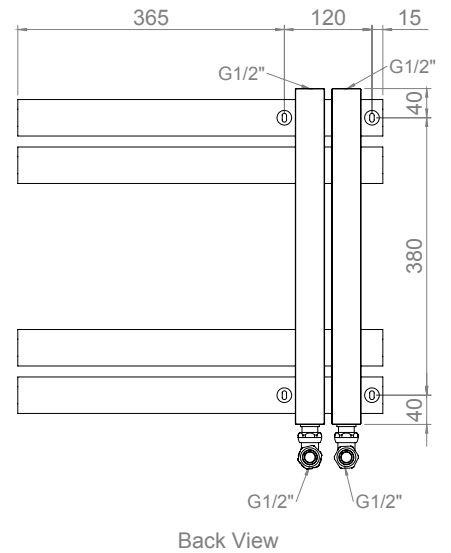
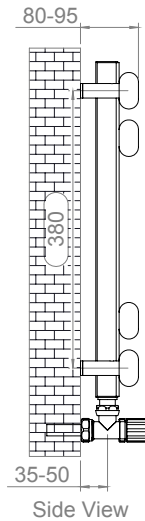
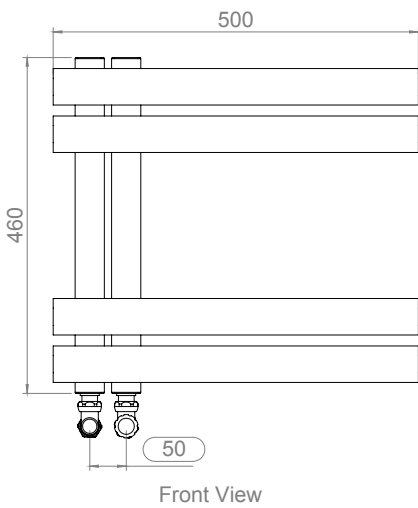
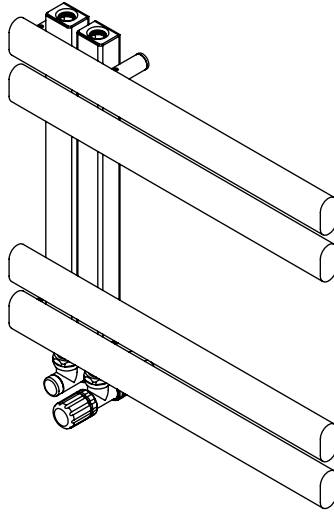


TROGON - TR0550

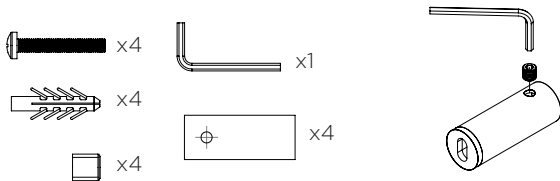
INS-VS1

ALL MEASUREMENTS ARE IN MILLIMETRES

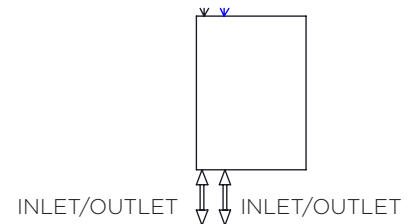
MANUFACTURED FROM STAINLESS STEEL



INSTALLATION ACCESSORIES:



AIRVENT



Vertical Mount

All Dimension are in mm

Max.Working Pressure = 10 Bar

Max.Working Temperature=95° C

Inlet / Outlet : 1/2" BSP

Fuel: H

Technical specifications are subject to change without prior notice.

AEON is the designer heating division of Pitacs Limited.
Pitacs Limited, Bradbourne Point, Bradbourne Drive, Tilbrook, Milton Keynes,
Buckinghamshire, MK7 8AT, UK

T: +44 (0)1908 271155 E: info@pitacs.com W: www.aeon.uk.com