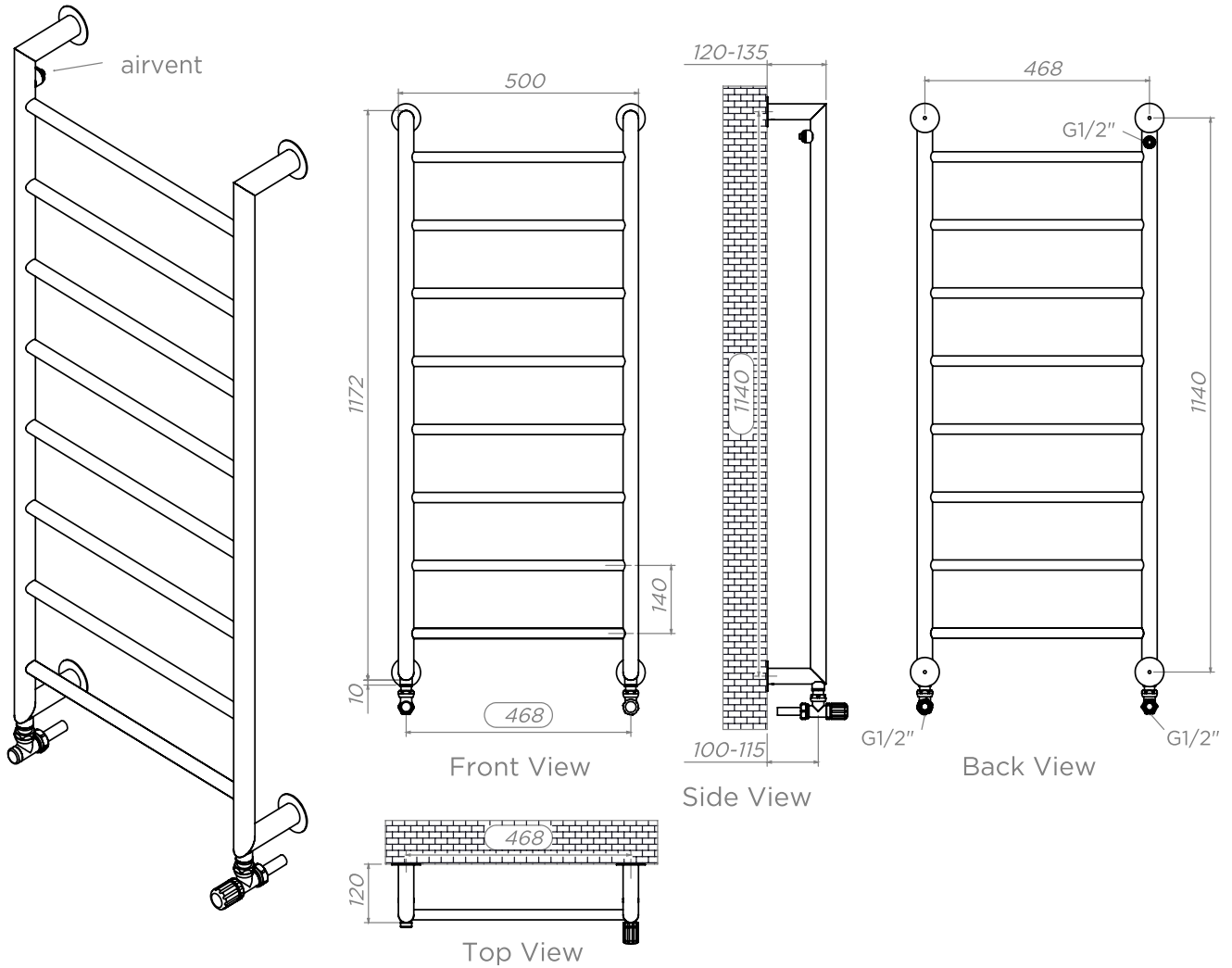


# TORA MITRED - TOR511-8M

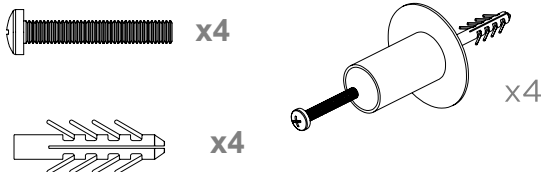
INS-VS1

ALL MEASUREMENTS ARE IN MILLIMETRES

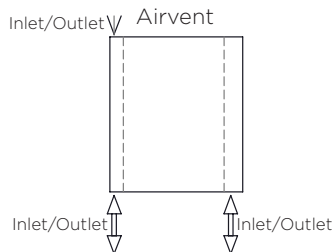
MANUFACTURED FROM STAINLESS STEEL



## Installation Accessories



## Fitting Position



Vertical Mount  
 All Dimensions are in mm  
 Max.Working Pressure = 10 Bar  
 Max.Working Temperature = 120°C  
 Inlet/Outlet: 1/2" BSP

Technical specifications are subject to change without prior notice.



AEON is the designer heating division of Pitacs Limited.  
 Pitacs Limited, Bradbourne Point, Bradbourne Drive, Tilbrook, Milton Keynes,  
 Buckinghamshire, MK7 8AT, UK

T: +44 (0)1908 271155 E: info@pitacs.com W: www.aeon.uk.com