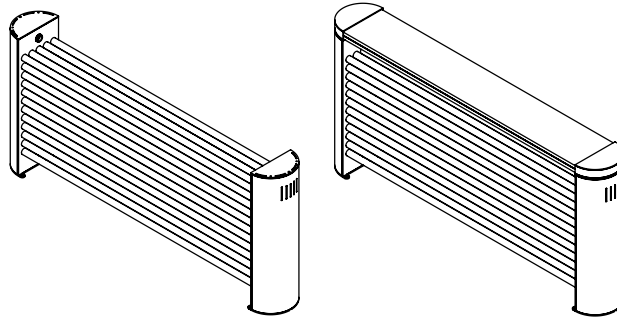


OTTOMAN

INS-VS1

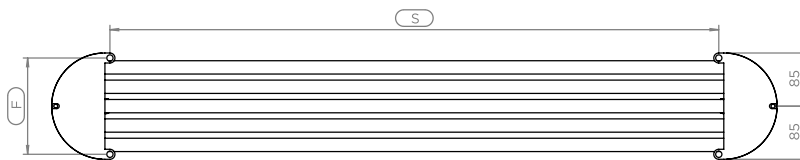
ALL MEASUREMENTS ARE IN MILLIMETRES

MANUFACTURED FROM STAINLESS STEEL

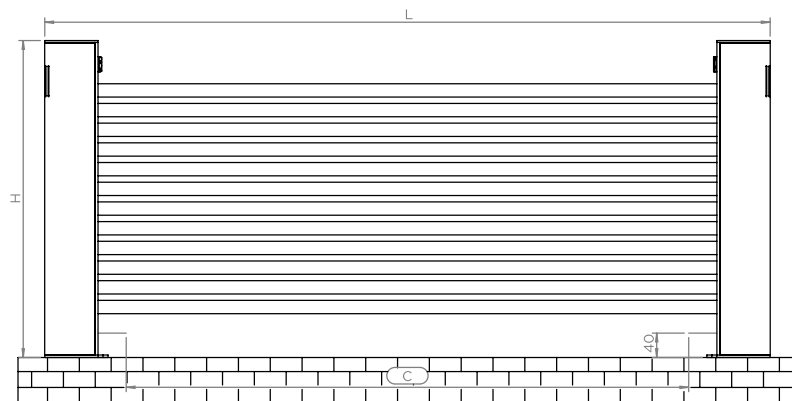


Ottoman

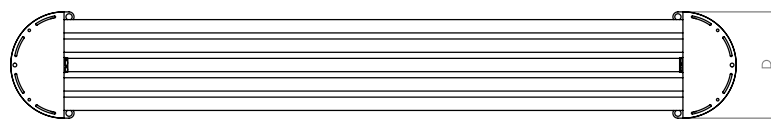
Ottoman OGT Accessories



Bottom View



Front View

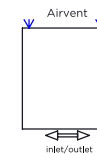


Top View



Side View

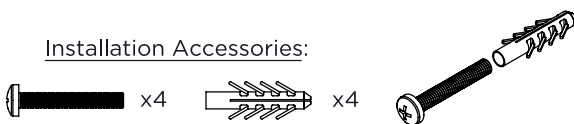
Plumbing Position:



Vertical mount / Free S.
All Dimensions are in mm
Max. Working Pressure: 5 Bar
Max. Working Temperature: 95° C
Inlet / Outlet : 1/2" BSP
Fuel: H

Manufacturing Tolerance : - 5 mm

Installation Accessories:



PRODUCT CODE	Height	Length	Depth	Pipe Centres	Bracket Centres	
	H mm	L mm	D mm	C mm	F mm	S mm
OTT100-27	500	970	170	710	784	154
OTT100-31	500	970	170	710	784	154
OTT100-49	500	970	170	710	784	154
OTT100-60	500	970	170	710	784	154
OTT120-27	500	1170	170	910	984	154
OTT120-31	500	1170	170	910	984	154
OTT120-49	500	1170	170	910	984	154
OTT120-60	500	1170	170	910	984	154
OTT150-27	500	1470	170	1210	1284	154
OTT150-31	500	1470	170	1210	1284	154
OTT150-49	500	1470	170	1210	1284	154
OTT150-60	500	1470	170	1210	1284	154
OTT170-27	500	1670	170	1410	1484	154
OTT170-31	500	1670	170	1410	1484	154
OTT170-49	500	1670	170	1410	1484	154
OTT170-60	500	1670	170	1410	1484	154
OGT100	24	820	170	-	-	-
OGT120	24	1020	170	-	-	-
OGT150	24	1320	170	-	-	-
OGT170	24	1520	170	-	-	-
LLM	-	-	-	-	-	-

Technical specifications are subject to change without prior notice.

AEON is the designer heating division of Pitacs Limited.
Pitacs Limited, Bradbourne Point, Bradbourne Drive, Tilbrook, Milton Keynes,
Buckinghamshire, MK7 8AT, UK



T: +44 (0)1908 271155 E: info@pitacs.com W: www.aeon.uk.com