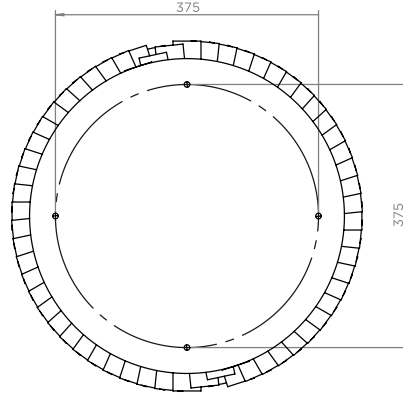
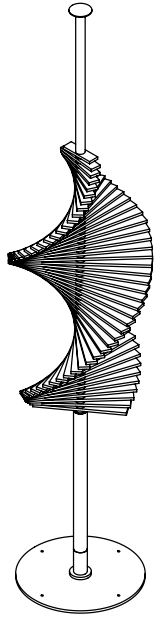


ECSTASY

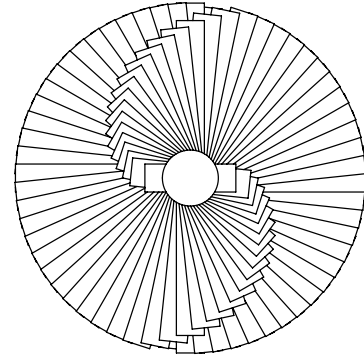
INS-VS1

ALL MEASUREMENTS ARE IN MILLIMETRES

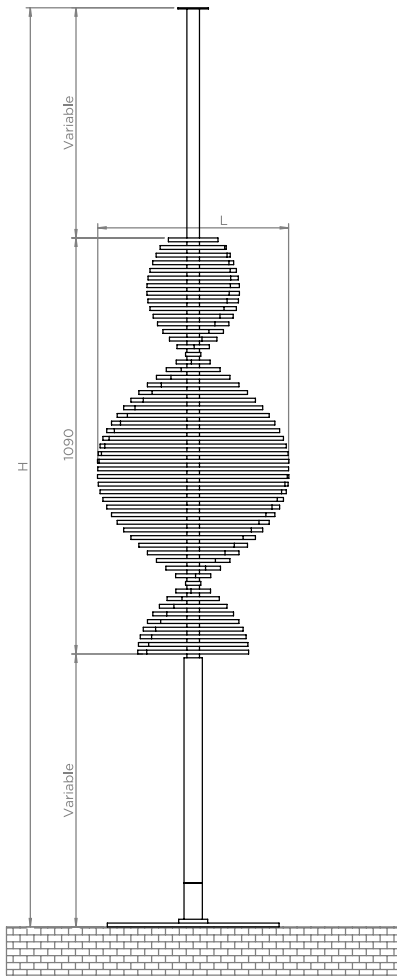
MANUFACTURED FROM STAINLESS STEEL



(The Floor Bracket Centers)
Bottom View

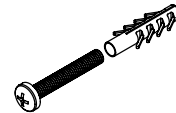
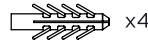


Top View



Front View

Installation Accessories:



Plumbing Position:



Electrical Element inlet

Vertical mount / Free S.
All Dimensions are in mm
Max. Working Temperature: 95° C
Test Pressure: 8 Bar
Inlet / Outlet : 1/2" BSP
Fuel : E
Manufacturing Tolerance : - 5 mm

PRODUCT CODE	Height	Length	Depth	Pipe Centres	Bracket Centres	
	H	L	D	C	F	S
	mm	mm	mm	mm	mm	mm
Ecstasy	2200-3000	500	500	-	-	-

Technical specifications are subject to change without prior notice.

AEON is the designer heating division of Pitacs Limited.
Pitacs Limited, Bradbourne Point, Bradbourne Drive, Tilbrook, Milton Keynes,
Buckinghamshire, MK7 8AT, UK

T: +44 (0)1908 271155 E: info@pitacs.com W: www.aeon.uk.com

