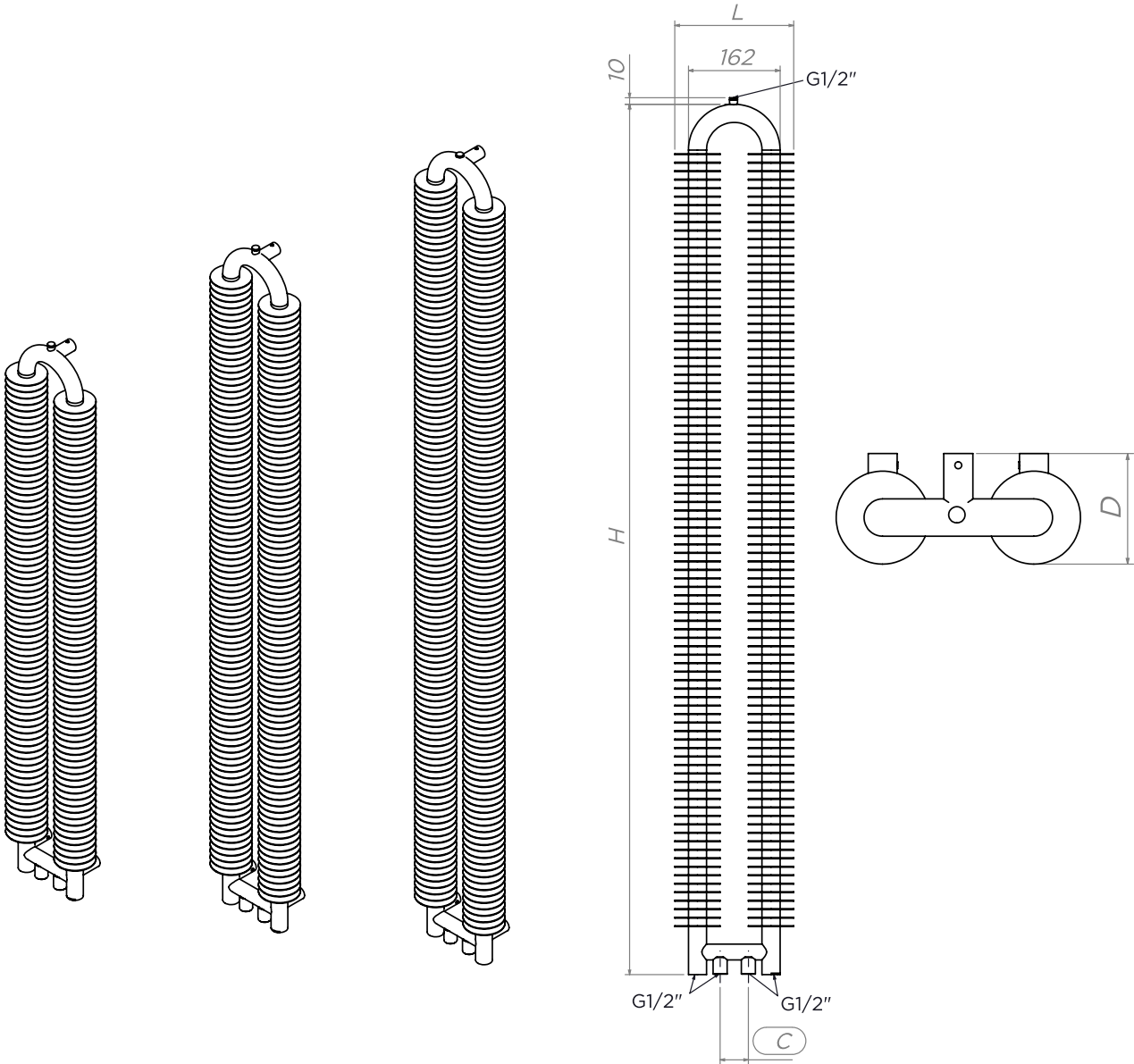


ARMADA - 21

ALL MEASUREMENTS ARE IN MILLIMETRES

MANUFACTURED FROM STAINLESS STEEL



PRODUCT CODE	Height	Length	Depth	Pipe Centres	Water Content	Net Weight	Gross Weight	Box Sizes	Surface Area	Watt	Kcal/h	Btu
	H	L	D	C	-	-	-	-	-	-	-	-
	mm	mm	mm	mm	Lt	Kg	Kg	mm	mm	mm	mm	mm
ARMADA 1221	1200	210	95	50	1,7	7,6	11,6	1250x260x150	1525	662	570	2,262
ARMADA 1521	1500	210	95	50	2,1	9,5	14,5	1550x260x150	1940	842	724	2,876
ARMADA 1821	1800	210	95	50	2,5	11,5	17,5	1850x260x150	2350	1022	879	3,490

Technical specifications are subject to change without prior notice.

AEON is the designer heating division of Pitacs Limited.
Pitacs Limited, Bradbourne Point, Bradbourne Drive, Tilbrook, Milton Keynes,
Buckinghamshire, MK7 8AT, UK

T: +44 (0)1908 271155 E: info@pitacs.com W: www.aeon.uk.com

