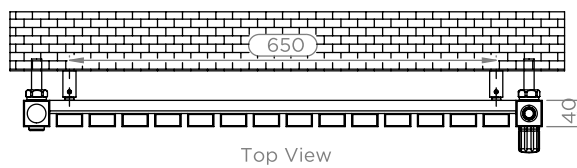
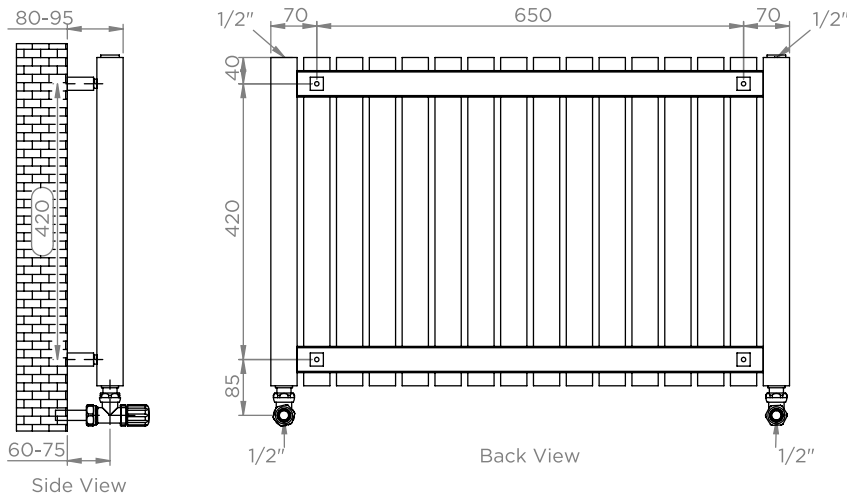
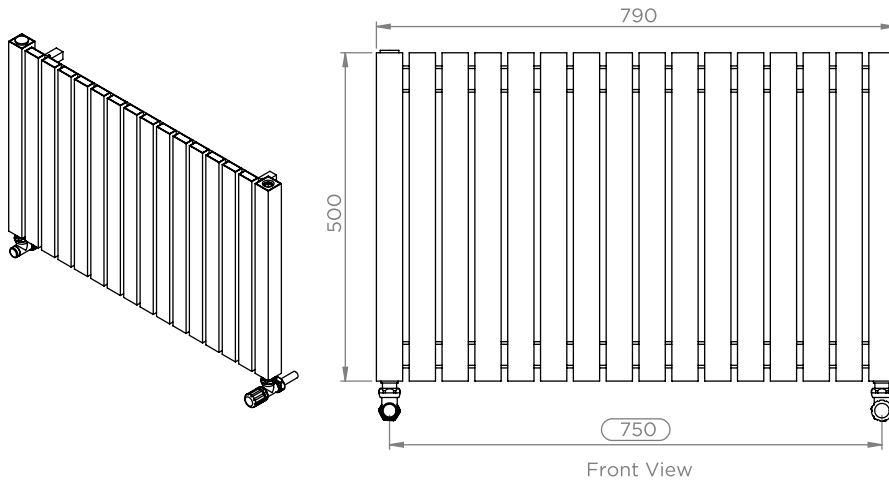


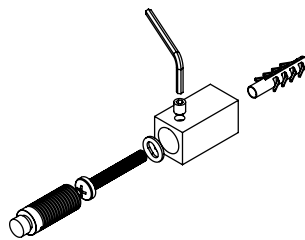
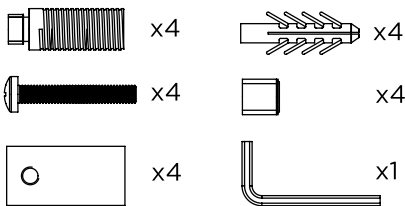
# ARAT E - ARE1655

ALL MEASUREMENTS ARE IN MILLIMETRES

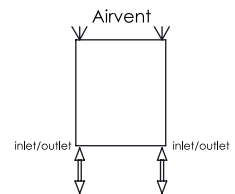
MANUFACTURED FROM STAINLESS STEEL



## Installation Accesories:



## Fitting Position:



Vertical mount  
 All Dimension are in mm  
 Max. Working Pressure = 10 Bar  
 Max. Working Temperature = 95° C  
 Inlet / Outlet : 1/2" BSP  
 Fuel : E/H/D

Technical specifications are subject to change without prior notice.

AEON is the designer heating division of Pitacs Limited.  
 Pitacs Limited, Bradbourne Point, Bradbourne Drive, Tilbrook, Milton Keynes,  
 Buckinghamshire, MK7 8AT, UK

T: +44 (0)1908 271155 E: info@pitacs.com W: www.aeon.uk.com

